

W32L100-MRA3FP

32" ECDIS Marine Display



KEY FEATURES

- 32" 1920 x 1080 resolution with projective capacitive multi-touch screen
- Edge to edge narrow bezel design and fanless cooling system
- OSD Key For quick mode changing between ECDIS DAY, DUSK, and NIGHT mode
- 9~36 V DC to DC power input acceptable (Isolation Resistance)
- Meet the requirements of industrial marine standards, compatible with IEC60945 4th Edition, DNVGLCG0339, IACS E10
- Color calibrated for ECDIS compliance (Optional)

INTRODUCTION

Winmate ECDIS Marine Display Series delivers advanced solutions tailored for marine applications, available in sizes from 15" to 32". Designed with edge-to-edge narrow bezels and a fanless cooling system, these displays provide a sleek and reliable performance. Featuring capacitive touch keys and support for ECDIS-compliant DAY, DUSK, and NIGHT modes, they ensure optimal visibility in varying lighting conditions. Certified with IEC 60945 4th Edition, DNV-CG-0339, and IACS E10 standards, the series offers rugged durability, optional color calibration, and multi-touch capabilities, making it ideal for navigation and marine control systems.

SPECIFICATIONS

Display

Resolution	1920x1080	Size	32.0 inches
Contrast Ratio	4000:1	Panel Brightness	400.0 nits
Display Color	16.7M Colors	View Angles	89,89,89,89
Active Area	698.4x392.85 mm	Touch / Glass	Projected Capacitive Multi Touch Screen AR Glass (Optional)

Environment

Operating Humidity	10% to 95% RH	Operating Temperature	-15~55°C
Storage Temperature	-20°C~60°C	IP rating	Front IP65

Certification

Certification	CE, FCC DNV-CG-0339, IEC60945 4th, IACS E10
----------------------	--

IO Ports

USB Port	1 x USB for Touch Screen	Serial Port	1 x RS232 for remote control
Video	1 x VGA 1 x DVI-D 1 x HDMI 1.4	Buzzer	75 dB~80 dB, 2300 Hz, 1m

Mechanical

Dimension	795 x 524 x 75.5 mm	Weight	18 kg
Mounting	VESA mount/Panel mount	Enclosure	Anodized Aluminum Bezel
Cooling System	Fanless Design	Cut out	770 x 500 mm

Accessory

Accessory	User Manual Mounting clips x 16 AC to 12V DC Adapter Power Cord 3 Pin Terminal Block Open Wire Cable 1 x VGA cable 1 x DVI cable 1 x HDMI cable 1 x RS232 cable 1 x USB cable		
------------------	---	--	--

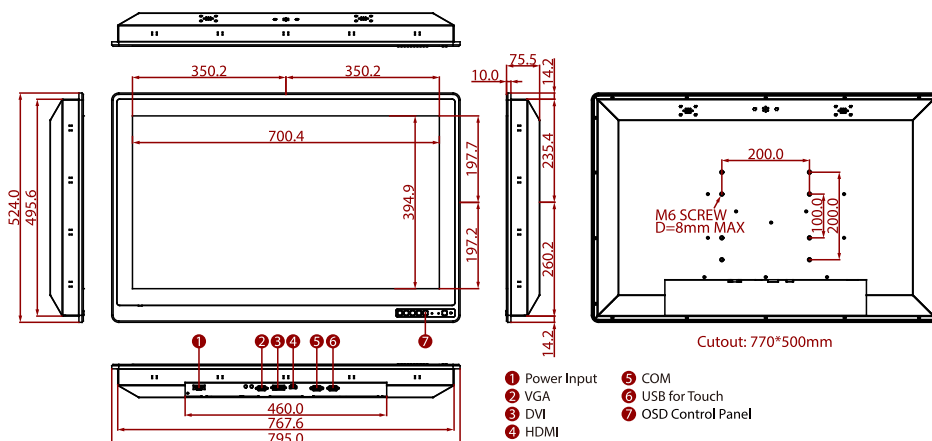
Power

Power Rating	24V DC-in with Isolation (Approval by Certificate) 9~36V DC Input Acceptable	Consumption	55W (Typical)
---------------------	---	--------------------	---------------

Control

Button	6 key: Power Decrease Increase Exit/ Auto Menu ECDIS Mode Change
---------------	--

DIMENSIONS UNIT:MM



NOTE

1. This is a simplified drawing and some components are not marked in detail.
2. Please contact our sales representative if you need further product information.
3. All specifications are subject to change without prior notice.
4. The product shown in this datasheet is a standard model. For diagrams that contain customized or optional I/O, please contact the Winmate Sales Team for more information.