



Pictures show sample configurations, real product may vary.

DISPLAY

Display Size [inch]	23.8
Aspect Ratio	16 : 9
Resolution	1920 × 1080
Active Area [mm]	527.04 × 296.46
Brightness [cd/m ²]	500
Contrast Ratio	3000 : 1
LED life time [h]	30000
Viewing Angle [°]	178 / 178
Display Interface	LVDS

PC/MONITOR SYSTEM

Monitor Controller	Realtek® RTD2556T
Monitor Firmware	Standard
Loudspeaker	2× 2W
HDMI	1
DP	1
VGA	1
Audio In	1
USB-B (touch)	1
Serial Port RS232 (RX / TX only)	1
OSD Buttons	Power On/Off, Decrease Brightness/Left/Down, Increase Brightness/Right/Up, Menu/Enter, Input Selection
Adjustable Features	Brightness, Contrast, Screen Setting, Color Temp, Color Effect, Language, Reset, Auto Adjust (see instruction manual for full details)

TOUCH PANEL

Touch Type	Projected Capacitive 10-point Multi-touch
Printing Type	Organic
Glass Thickness [mm]	1.1
Cover Glass Surface Treatment	AG
IK Protection	IK7
Printing Color	RAL9004 (Black)
Strengthening	Thermally Strengthened
Touch Controller	EXC81W84
Touch Interface	USB
Touch Resolution RX	68
Touch Resolution TX	38
Optical Bonding	Clear Bond®

ENVIRONMENTAL CONDITIONS

Operation Temperature	-10°C to 60°C
Storage Temperature	-20°C to 60°C
Humidity Range	10% to 90%

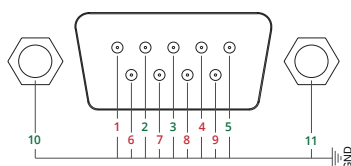
CERTIFICATIONS

CE Certificate	Yes
FCC Certificate	Yes

CHASSIS

Case Design	Rubber Frame Sealing
Case Size	Small
IP Protection	IP65 Front / IP40 Back
Case Color	RAL9004 (Black)
Case Coating	Powder Coating
Case Material	Aluminum
Case size L × W × H [mm]	579.4 × 347.0 × 51.5
Cut-out for clamp supports L × H [mm]	555.4 × 323.0
Max. wall thickness for clamp supports [mm]	5.0
Amount of clamps required	7
Mounting	VESA 100 × 100

SERIAL (RS232) PIN DEFINITION



2	RXD1
3	TXD1
5	GND
10	GND
11	GND

* Pyramid Computer GmbH is not affiliated with Debian. Debian is a registered trademark owned by Software in the Public Interest, Inc.

ACCESSORIES

Power Adapter	100-240V ACDC active switching; 12V DC-Out
USB-Touch Cable	Yes
Short Instruction manual	Yes

INTENDED USE/APPLICATION

The device is to be used as (touchscreen) display for indoor use as control panel, digital signage, way-finding, POS and similar applications.

Direct sunlight might increase the device temperature beyond the allowed storage and operation conditions. Therefore the devices must be protected against direct sunlight. Devices operated or stored outside the specified temperature ranges are not covered by warranty.

POWER

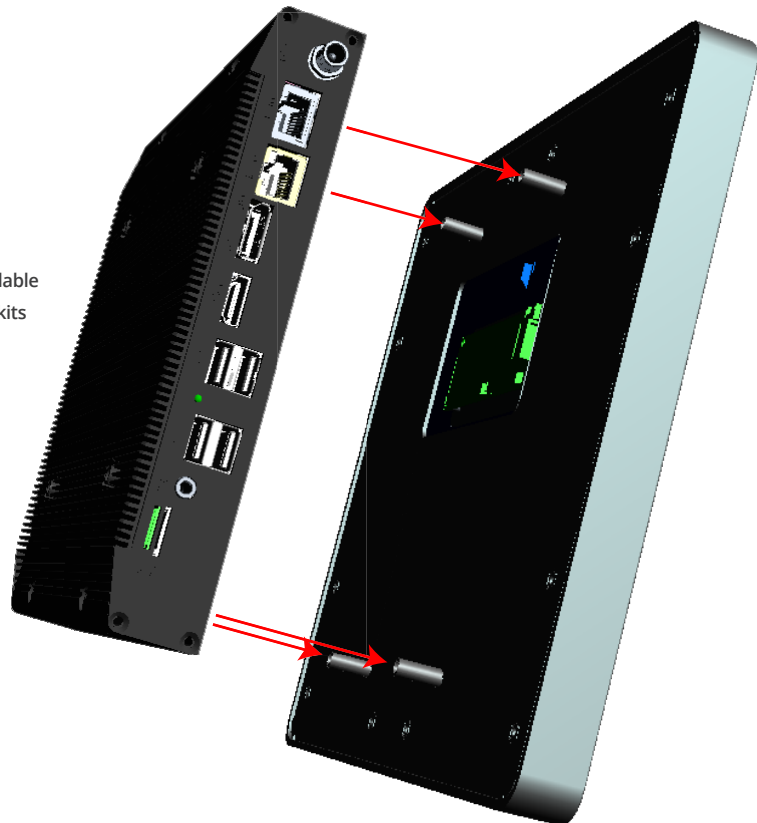
Power Indicator	Green LED
Working Power	12V
Power Consumption	28W
Stand-By Consumption	<1W

WEIGHT & PACKAGING

Net Weight	~6.20 kg est.
Gross Weight	~9.40 kg est. (incl. Cartorage)
Packaging Material	100% recyclable cardboard and polyethylene (PE)
Packaging Size L x W x H [mm]	735.0 x 425.0 x 80.0

Front kit & Back kit concept:

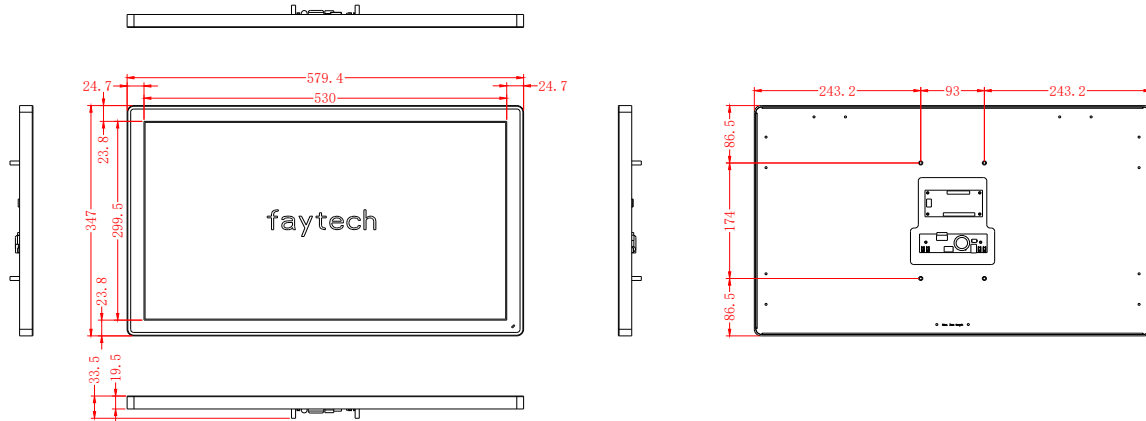
- Pre-assembled or separately packaged available
- Easily replace or switch back kits and front-kits
- Connected through various connectors
- Assembly to be done by a professional



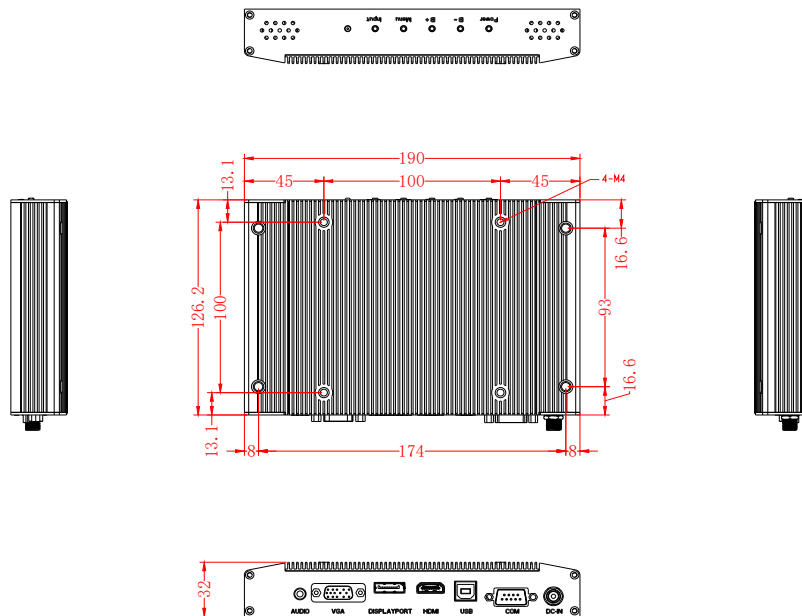
DIMENSIONS

Pictures show sample configurations, real product may vary.

24" RUBBER FRAME FRONT KIT



SMALL MONITOR BACK KIT (RTD2566)



UPDATE NOTES:

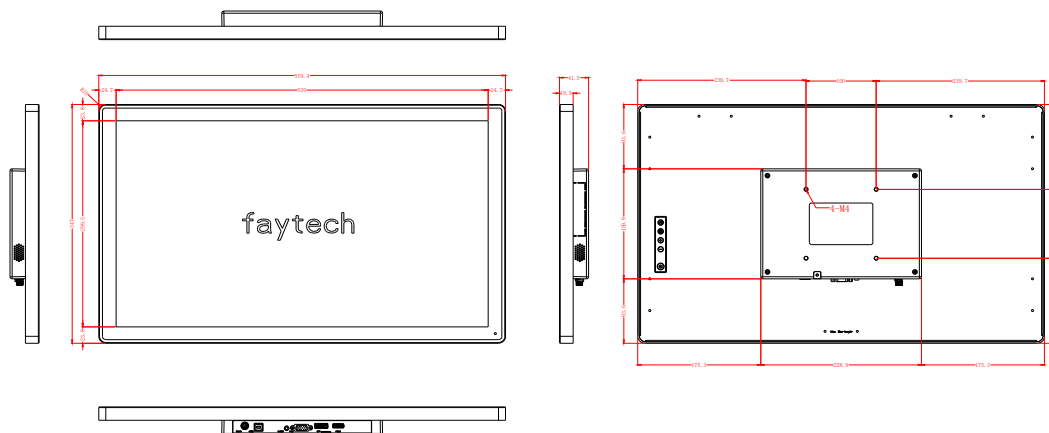
Version:	Changes:
v4 (current version)	Implemented modular front and back kit concept
	Changed ABS plastic back kit to Aluminum back kit
	Changed button location and lay-out

UPDATE NOTES:

Pictures show sample configurations, real product may vary.

Version:	Changes:
v3	Switching of the DVI-D connector to a DP connector

v3: GL: 3030509600 | EU: 1010502315



Version:	Changes:
v2	First version

v2: GL: 3030505561 | EU: 1010502021

