

Apacer

The Most **Reliable**
Storage For Industries



AH321



Overview

Regarding the importance of data storage for embedded application, Apacer's USB drive is compact and portable industrial-grade USB drive boosting “stability” and “durability.” With the superb reliability of SLC chips and the advantage of Fixed B.O.M., Apacer highlights that the firmware and major components of all the products can be fixed upon customers’ recognition and verification. This reduces the risk of out-of-stock and compatibility issues, ensuring high durability and reliability for customers.



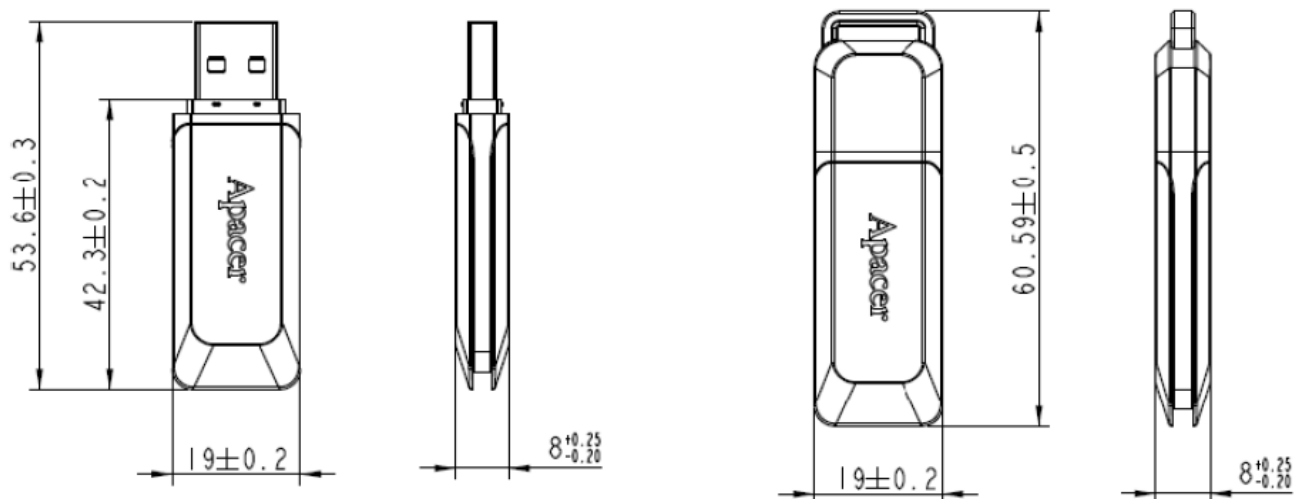
Feature

- USB 2.0 high-speed transmission
- Implements advanced wear-leveling algorithms
- ECC engine
- Power Saving implemented
- Optional Industrial temp. range -40°C to 85°C

Specifications

Model	AH321
Interface	USB 2.0
Connector	USB 2.0 A Type Plug
Form Factor	USB flash drive
NAND Flash Type	SLC
Capacity	256MB~32GB
Sustained Read Performance (MB/sec)	Up to 34
Sustained Write Performance (MB/sec)	Up to 22
ECC Engine	Built-in 24-bit per 1K bytes BCH ECC
Standard Operating Temperature (°C)	0 ~ + 70
Extended Operating Temperature (°C)	-40 ~ + 85
Storage Temperature (°C)	-40 ~ + 100
Shock	Operation: 50G, 11ms Non-operation: 1500G, 0.5ms
Vibration	Operation: 7.69 Grms, 20~2000 Hz/random (comply with MIL-STD-810G) Non-operation: 15 G, 10 ~ 2000 Hz/sine
Operating Voltage	5.0 V ± 5%
Power Consumption	Active mode: 185 mA & Idle mode: 65 mA
Dimension (L x W x H)	60.59 x 19 x 8
MTBF (hours)	>3,000,000

Mechanical Specification



Unit: mm

For more information, contact your Apacer representative

Global Presence

Taiwan (Headquarters)
Apacer Technology Inc.
Tel: +886-2-2267-8000
Fax: +886-2-2267-2261

Europe
Apacer Technology B.V.
Tel: +31-40-267-0000
Fax: +31-40-290-0686

U.S.A.
Apacer Memory America, Inc.
Tel: +1-408-518-8699
Fax: 1-510-249-9551

China
Apacer Electronic(Shanghai)
Co., Ltd.
Tel: +86-21-6228-9939

Japan
Apacer Technology Corp.
Tel: +81-3-5419-2668
Fax: +81-3-5419-0018

India
Apacer Technologies Pvt. Ltd.
Tel: +91-80-41529061~3
Fax: +91-80-41700215