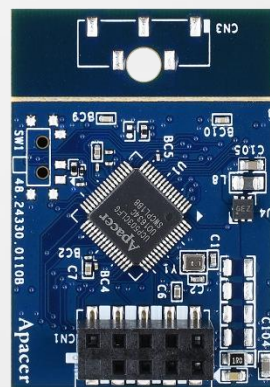


## The Most **Reliable** Storage For Industries

### UDM2A-M (Type C)



## UDM2A-M (Type C)

### Overview

Apacer's UDM2A-M is a high performance, highly reliable, high endurance USB2.0 flash disk module in a small form factor designed for embedded applications or the system as a boot drive. As an embedded flash storage, it's compliant with USB2.0 and backward compatible with USB1.1, and connects to the host system via a 10-pin connector.



\*The actual available memory on the device is less than what is listed on the package. This is due to small discrepancies in file formats and algorithms used by various operating systems. In addition, a portion of memory space is reserved for system files and data sectors for better performance.

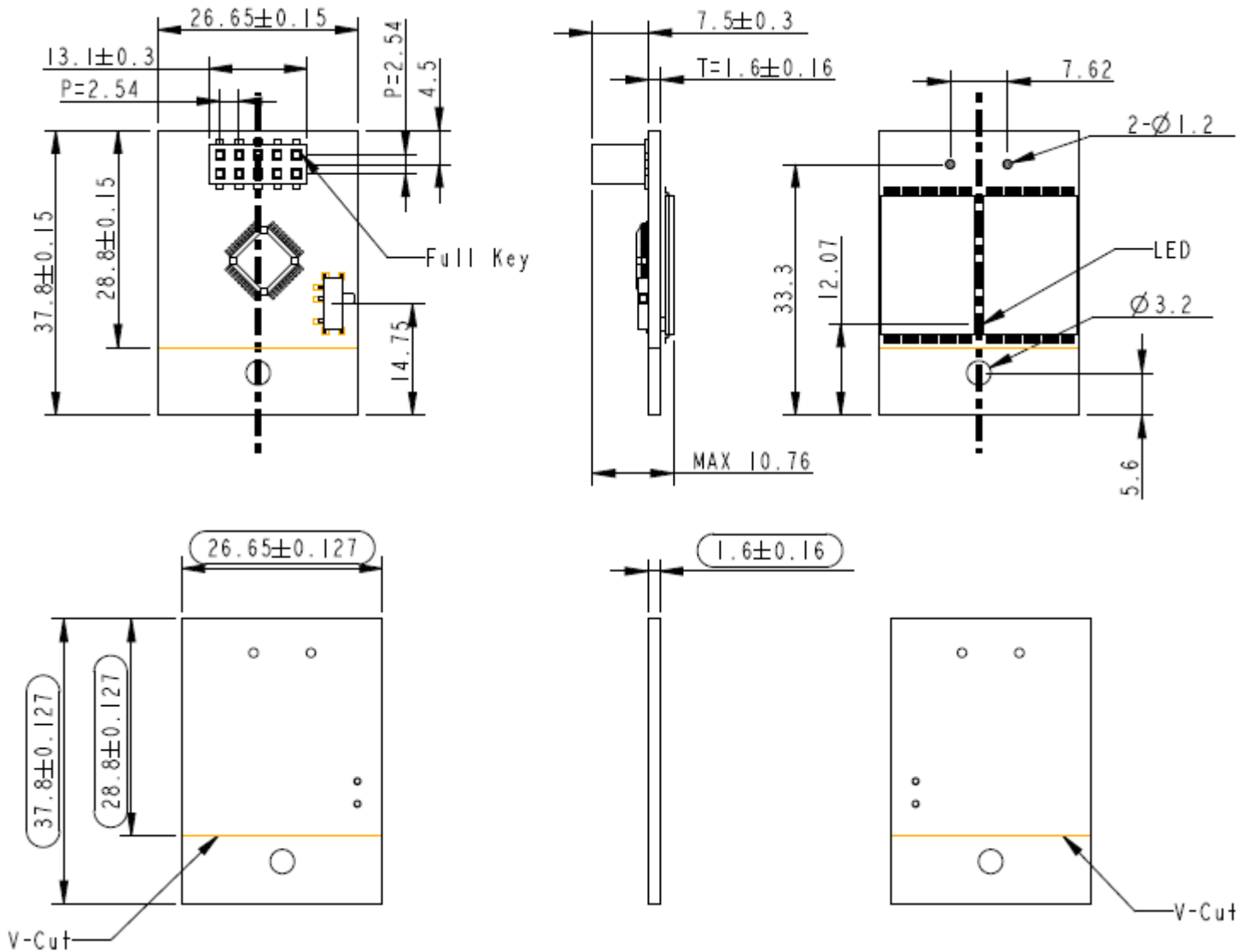
### Feature

- Built-in hardware ECC
- Global wear-leveling
- Flash bad-block management
- S.M.A.R.T.

## Specifications

<b>Model</b>	UDM2A-M (Type C)
<b>Interface</b>	USB2.0
<b>Connector</b>	10 pin USB(2x5) female header in 2.54mm
<b>Form Factor</b>	USB Disk Module
<b>Transfer Mode</b>	–
<b>NAND Flash Type</b>	MLC
<b>Capacity</b>	8GB~32GB
<b>Sustained Read Performance (MB/sec)</b>	Up to 44
<b>Sustained Write Performance (MB/sec)</b>	Up to 43
<b>ECC Engine</b>	Built-in 72-bit per 1K bytes BCH ECC
<b>Standard Operating Temperature ( °C )</b>	0 ~ + 70
<b>Extended Operating Temperature ( °C )</b>	-40 ~ + 85
<b>Storage Temperature ( °C )</b>	-40 ~ + 100
<b>H/W Write Protect</b>	Optional
<b>Shock</b>	Operation: Acceleration, 50(G)/11(ms)/half sine (compliant with MIL-STD-202G) Non-operation: Acceleration, 1,500(G)/0.5(ms)/half sine (compliant with MIL-STD-883K)
<b>Vibration</b>	Operation: 7.69(Grms), 20~2000(Hz)/random (compliant with MIL-STD-810G) Non-operation: 4.02(Grms), 15~2000(Hz)/random (compliant with MIL-STD-810G)
<b>Operating Voltage</b>	5 V ± 5%
<b>Power Consumption</b>	Active mode: 125 mA & Idle mode: 50 mA
<b>Dimension (L x W x H )</b>	37.8 x 26.65 x 10.76 mm
<b>MTBF (hours)</b>	>1,000,000

## Mechanical Specification



Unit: mm

For more information,  
contact your Apacer representative

### Global Presence

Taiwan (Headquarters)  
Apacer Technology Inc.  
Tel: +886-2-2267-8000  
Fax: +886-2-2267-2261

Europe  
Apacer Technology B.V.  
Tel: +31-40-267-0000  
Fax: +31-40-290-0686

U.S.A.  
Apacer Memory America, Inc.  
Tel: +1-408-518-8699  
Fax: 1-510-249-9551

China  
Apacer Electronic(Shanghai)  
Co., Ltd.  
Tel: +86-21-6228-9939

Japan  
Apacer Technology Corp.  
Tel: +81-3-5419-2668  
Fax: +81-3-5419-0018

India  
Apacer Technologies Pvt. Ltd.  
Tel: +91-80-41529061~3  
Fax: +91-80-41700215