

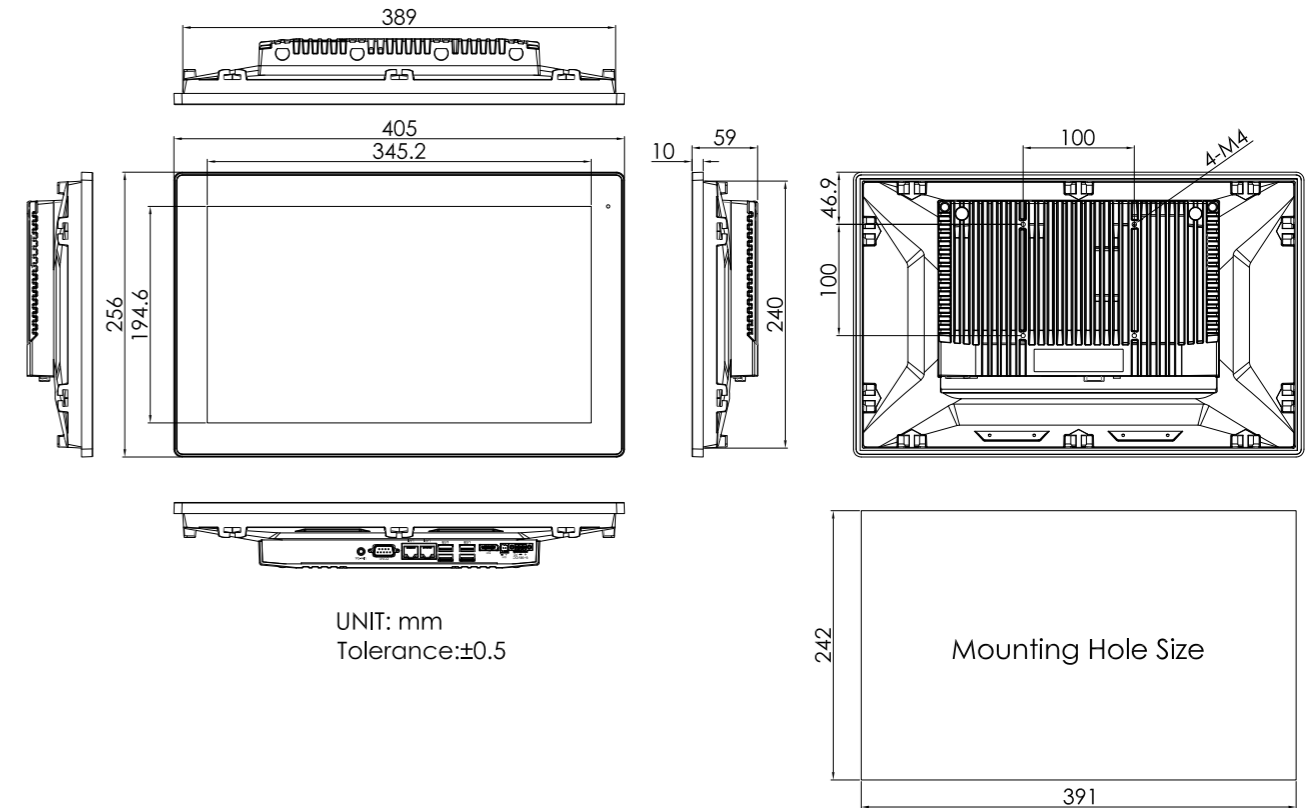
Features

- 15.6" Industrial Compact Size Panel PC
- 11th Gen. Intel Core i3/i5 Processor
- 2 x 260-pin SO-DIMM DDR4 slot, up to 64GB 3200MHz
- Flat Front Panel Touch Screen with IP66 front bezel
- Fanless Design
- DC 9~36V Wide-Ranging Power Input
- Support Expansion via Full-size Mini-PCIe and M.2 slots
- Support TPM2.0 hardware security
- High Brightness 1,000 nits for option

Specifications

| System | | | | |
|--------------------------------|---|---------------|--------------------------|---------------|
| CPU | 11th Gen. Intel Core i3/i5 Processors Core i3-1115G4E (Dual Core, 6 MB cache, 2.20 GHz) Core i5-1145G7E (Quad Core, 8 MB cache, 1.50 GHz) | | | |
| System Chipset | SoC | | | |
| Memory | 2 x 260-pin SO-DIMM up to 64GB DDR4 3200MHz | | | |
| TPM | TPM 2.0 | | | |
| I/O Port | | | | |
| USB | 4 x USB 3.0 type A | | | |
| Serial | 1 x DB-9 connector, including: * 1 x RS-232(RTS, Rx, Tx, CTS), pin1 RTS/5V/12V selectable via jumper (COM1) * 1 x RS-232(Tx, Rx)/422/485(COM2) by Y Cable | | | |
| Audio | 1 x Audio Line Out | | | |
| DP | 1 x DP / HDMI | | | |
| LAN | 2 x GbE LAN RJ-45 | | | |
| Power | 1 x 3-pin Terminal Block Connector 1 x 2-pin Power Switch Connector | | | |
| Option | 4G LTE Wi-Fi + Bluetooth 4 x USB 2.0 type A (TB-528U4) 4 x USB 2.0 type A + 1 x Mini-PCIe + 1 SIM slot (TB-528U4ME1) 1 x COM (RS-232) + 2 x USB 2.0 (TB-528C1U2) 1 x COM (RS-232) + 2 x USB 2.0 + 1 x Power Button (TB-528C1U2P1) 2 x COM (RS-232) (TB-528C2) 2 x COM (RS-232) + 1 x Mini-PCIe slot + 1 x SIM slot (TB-528C2ME1) 2 x COM (RS-422/485, isolated) (TB-528C2I) 2 x CAN (TB-528CAN2) 1 x LAN + 2 x USB 2.0 (TB-528E1U2) 1 x LAN(45W isolated PoE PD) + 2 x USB 2.0 type A (TB528E1U2UPOE)* Backup Battery (TB-528 Series or backup battery only be inserted in either one) Either high brightness panel or backup battery can be installed in HMI | | | |
| Storage Space | | | | |
| Storage | 1 x M.2 M-Key 2280 (Support PCIe/SATA3) | | | |
| Expansion | | | | |
| Onboard Expansion | 1 x Mini-PCIe slot (full size) 1 x M.2 E key for Wifi/BT Module 1 x Nano SIM slot | | | |
| Display | | | | |
| | Standard | | Optional High Brightness | |
| Display Type | 15.6" TFT-LCD | | 15.6" TFT-LCD | |
| | default | optional | default | optional |
| Max. Resolution | 1366 x 768 | 1920 x 1080 | 1366 x 768 | 1920 x 1080 |
| Max. Color | 16.7M | 16.7M | 16.7M | 16.7M |
| Luminance (cd/m ²) | 400 | 500 | 1000 | 1000 |
| View Angle | 170(H)/160(V) | 178(H)/178(V) | 160(H)/160(V) | 170(H)/170(V) |
| Contrast | 500:1 | 1000:1 | 500:1 | 1000:1 |
| Backlight Lifetime | 50,000 hrs | 50,000 hrs | 50,000 hrs | 50,000 hrs |

Dimensions



| Touch Screen | |
|----------------------------|--|
| Type | Projected Capacitive Touch |
| Interface | USB |
| Light Transmission(%) | 90% |
| Power | |
| Power Input | DC 9~36V |
| Power Consumption | 70W (HELIO-916CP with i3) |
| Mechanical | |
| Construction | Aluminum Die-casting chassis |
| Mounting | Panel Mount, VESA 100 x 100 |
| Dimensions (WxHxD) | 405 x 256 x 59 mm |
| IP Rating | IP66 Compliant Front Bezel |
| Net Weight | 3.7 kg |
| Environmental | |
| Operating Temperature | 0~50°C / -20~60°C (option) |
| Storage Temperature | -30~70°C |
| Humidity | 10 to 90%@ 40°C, non-condensing |
| Certificate | CE/FCC, Class A |
| Operating System Support | |
| Windows 10 IoT, Windows 11 | |
| Ordering Information | |
| AUHMI-916CP | 15.6" HD/FHD fanless HMI barebone with Intel 11th Gen. Core i3-1115G4E/ i5-1145G7E, 2 x DDR4 slot, 1 x M.2 2280 SATA slot, 1 x M.2 E key slot, Projected Capacitive touch, 9~36VDC input with adapter, Aluminum chassis. |
| AUHMI-916CPH | 15.6" HD/FHD high brightness fanless HMI barebone with Intel 11th Gen. Core i3-1115G4E/ i5-1145G7E, 2 x DDR4 slot, 1 x M.2 2280 SATA slot, 1 x M.2 E key slot, Projected Capacitive touch, 9~36VDC input with adapter, Aluminum chassis. |

*PoE limitation: CPU turbo off, rear I/O no loading, 70% LED backlight, PSE cable length < 50m