

## The Most **Reliable** Storage For Industries

UV110-UFM1



## UV110-UFM1

### Overview

Apacer's UV110-UFM1 is a high performance, embedded solid state drive (SSD) designed to replace a conventional IDE hard disk drive. As an embedded flash storage, UV110-UFM1 is compliant with USB2.0 and backward compliant with USB1.1 interface. Utilizing 3D NAND for capacity up to 256GB and providing more power efficiency than 2D NAND, UV110-UFM1 can be plugged into a standard Embedded USB connector commonly found in desktops, portable PC systems and industrial PC systems. Regarding reliability, UV110-UFM1 is implemented with LDPC (Low Density Parity Check) ECC engine to increase data reliability.



In terms of flash management, UV110-UFM1 adopts the latest page mapping file translation layer and comes with various implementations including power saving modes, wear leveling, flash block management, power failure management, S.M.A.R.T., Hyper Cache technology and Smart Read Refresh™. With cost-effective design, better performance and increased reliability, UV110-UFM1 is well suited for embedded flash storage applications offering new and expanded functionality.

### Feature

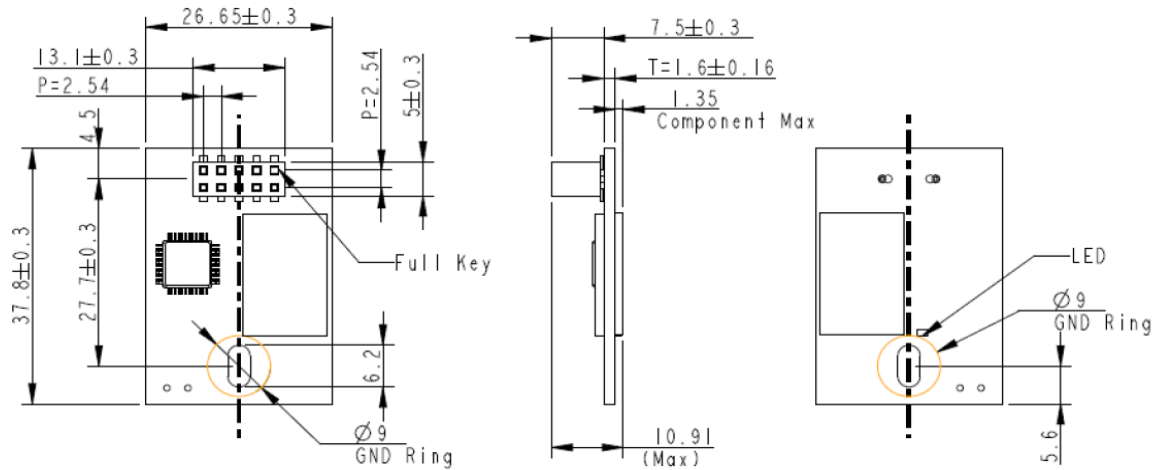
- Adopts advanced LDPC ECC engine with 3D NAND flash memory to improve reliability
- Global Wear Leveling
- Flash bad-block management
- Flash Translation Layer: Page Mapping
- S.M.A.R.T.
- Hyper Cache Technology
- SMART Read Refresh™
- Write Protect (Optional)

## Specifications

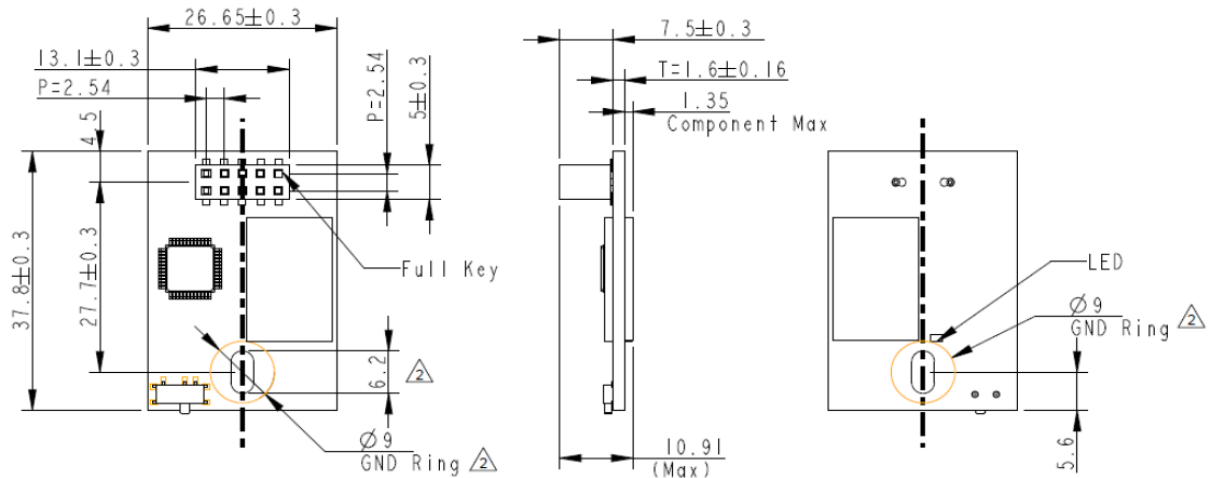
<b>Model</b>	UV110-UFM1
<b>Interface</b>	USB 2.0
<b>Connector</b>	10-pin (2x5) female header in 2.54mm
<b>Form Factor</b>	USB Disk Module
<b>NAND Flash Type</b>	3D TLC
<b>Capacity</b>	128GB~256GB
<b>External DRAM</b>	No
<b>Sustained Read Performance (MB/sec)</b>	Up to 37
<b>Sustained Write Performance (MB/sec)</b>	Up to 31
<b>ECC Engine</b>	Low-Density Parity-Check (LDPC) Code
<b>IOPS (4K Random Write)</b>	400
<b>Standard Operating Temperature ( °C )</b>	0 ~ + 70
<b>Extended Operating Temperature ( °C )</b>	-40 ~ + 85
<b>Storage Temperature ( °C )</b>	-55 ~ 100
<b>Housing</b>	No
<b>H/W Write Protect</b>	Optional
<b>Screw Hole</b>	Yes
<b>Shock</b>	Operation: 50G/11ms (compliant with MIL-STD-202G) Non-operation: 1500G/0.5ms (compliant with MIL-STD-883K)
<b>Vibration</b>	Operation: 7.69 Grms, 20~2000 Hz/random (compliant with MIL-STD-810G) Non-operation: 4.02 Grms, 15~2000 Hz/random (compliant with MIL-STD-810G)
<b>Operating Voltage</b>	5.0 V ± 5%
<b>Power Consumption</b>	Active mode: 100 mA; Idle mode: 75 mA
<b>Dimension (L x W x H )</b>	37.80 x 26.65 x 10.91 (mm)
<b>MTBF (hours)</b>	>3,000,000

## Mechanical Specification

### Without Write Protect Switch



### With Write Protect Switch



Unit: mm  
Tolerance:  $\pm 0.2$

For more information,  
contact your Apacer representative

### Global Presence

Taiwan (Headquarters)  
Apacer Technology Inc.  
Tel: +886-2-2267-8000  
Fax: +886-2-2267-2261

Europe  
Apacer Technology B.V.  
Tel: +31-40-267-0000  
Fax: +31-40-290-0686

U.S.A.  
Apacer Memory America, Inc.  
Tel: +1-408-518-8699  
Fax: 1-510-249-9551

Shanghai  
Apacer Electronic(Shanghai)  
Co., Ltd.  
Tel: +86-21-6228-9939

Japan  
Apacer Technology Corp.  
Tel: +81-3-5419-2668  
Fax: +81-3-5419-0018

India  
Apacer Technologies Pvt. Ltd.  
Tel: +91-80-41529061~3  
Fax: +91-80-41700215