

Apacer

The Most **Reliable**
Storage For Industries

UH110-UFM2



UH110-UFM2

Overview

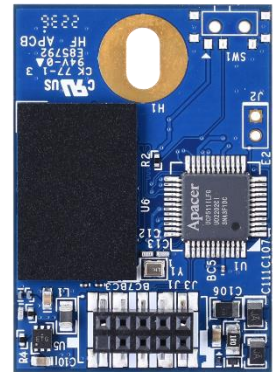
Apacer's UH110-UFM2 is a high performance, embedded solid state drive (SSD) designed to replace a conventional IDE hard disk drive. As an embedded flash storage, UH110-UFM2 is compliant with USB 2.0 and backward compatible with USB 1.1.

Utilizing 3D NAND for capacity up to 64GB and providing more power efficiency than 2D NAND, UH110-UFM2 can be plugged into a standard Embedded USB connector commonly found in desktops, portable PC systems and industrial PC systems.

Regarding reliability, UH110-UFM2 is not only implemented with LDPC (Low Density Parity Check) ECC engine to extend SSD endurance and increase data reliability, but also equipped with SLC-liteX technology to offer higher number of P/E cycles up to 30,000 times.

In terms of flash management, UH110-UFM2 adopts the latest Page Mapping file translation layer and comes with various implementations including power saving modes, Wear Leveling, flash block management, power failure management, S.M.A.R.T. and Smart Read Refresh™.

UH110-UFM2 is well suited for embedded flash storage applications offering new and expanded functionality as well as more cost-effective designs, better performance and increased reliability.



Feature

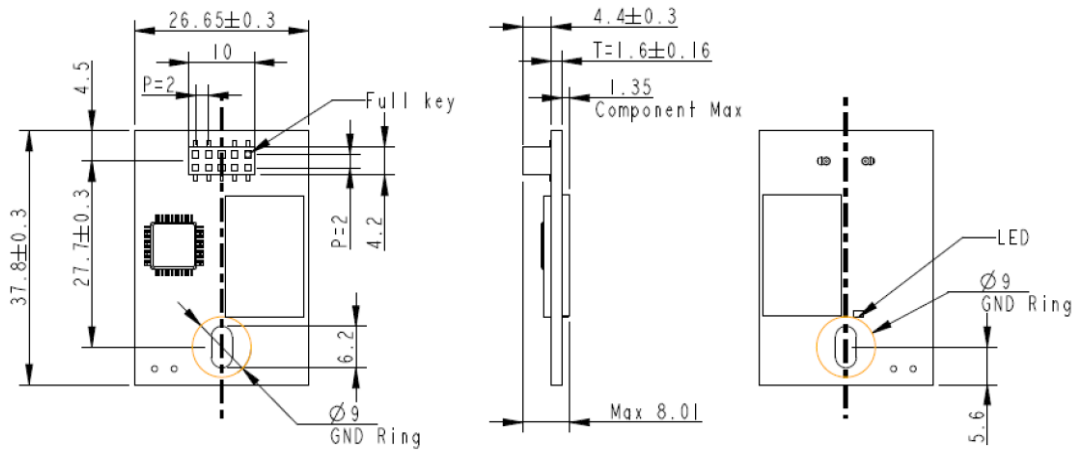
- Low-Density Parity-Check (LDPC) Code
- Flash bad-block management
- Global Wear Leveling
- Flash Translation Layer: Page Mapping
- S.M.A.R.T.
- Smart Read Refresh™
- SLC-liteX

Specifications

Model	UH110-UFM2
Interface	USB 2.0
Connector	10-pin (2x5) female header in 2.00mm
Form Factor	USB Disk Module
NAND Flash Type	3D TLC
Capacity	32GB~64GB
External DRAM	No
Sequential Read Performance (MB/sec)	Up to 37
Sequential Write Performance (MB/sec)	Up to 32
ECC Engine	Low-Density Parity-Check (LDPC) Code
IOPS (4K Random Write)	400
Standard Operating Temperature (°C)	0 ~ + 70
Extended Operating Temperature (°C)	-40 ~ + 85
Storage Temperature (°C)	-55 ~ 100
Housing	No
H/W Write Protect	Optional
Screw Hole	Yes
Shock	Operation: 50G/11ms (compliant with MIL-STD-202G) Non-operation: 1500G/0.5ms (compliant with MIL-STD-883K)
Vibration	Operation: 7.69 Grms, 20~2000 Hz/random (compliant with MIL-STD-810G) Non-operation: 4.02 Grms, 15~2000 Hz/random (compliant with MIL-STD-810G)
Operating Voltage	5.0 V ± 5%
Power Consumption	Active mode: 95 mA; Idle mode: 75 mA
Dimension (L x W x H)	37.80 x 26.65 x 8.01 (mm)
MTBF (hours)	>3,000,000

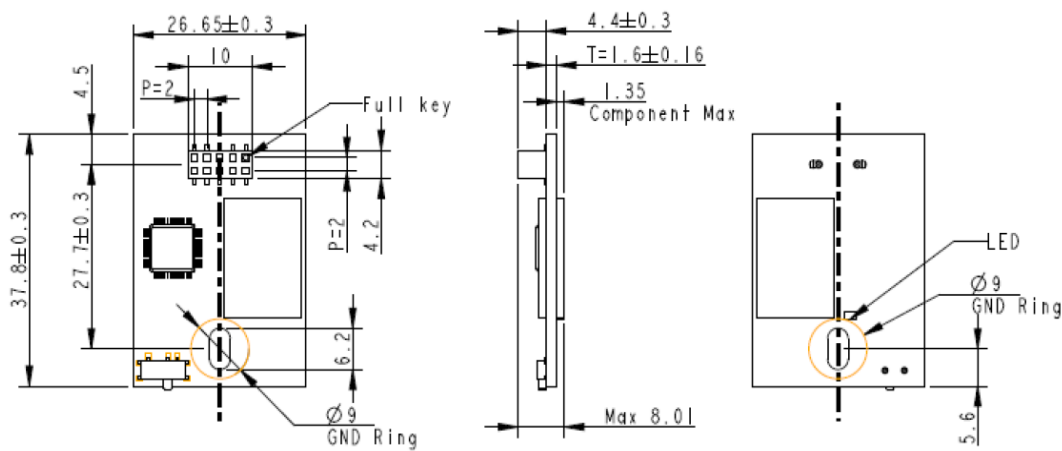
Mechanical Specification

Without Write Protect Switch



Unit: mm

With Write Protect Switch



Unit: mm

For more information,
 contact your Apacer representative

Global Presence

Taiwan (Headquarters)
 Apacer Technology Inc.
 Tel: +886-2-2267-8000
 Fax: +886-2-2267-2261

Europe
 Apacer Technology B.V.
 Tel: +31-40-267-0000
 Fax: +31-40-290-0686

U.S.A.
 Apacer Memory America, Inc.
 Tel: +1-408-518-8699
 Fax: 1-510-249-9551

China
 Apacer Electronic(Shanghai)
 Co., Ltd.
 Tel: +86-21-6228-9939

Japan
 Apacer Technology Corp.
 Tel: +81-3-5419-2668
 Fax: +81-3-5419-0018

India
 Apacer Technologies Pvt. Ltd.
 Tel: +91-80-41529061~3
 Fax: +91-80-41700215