

# TEKNOKOL®

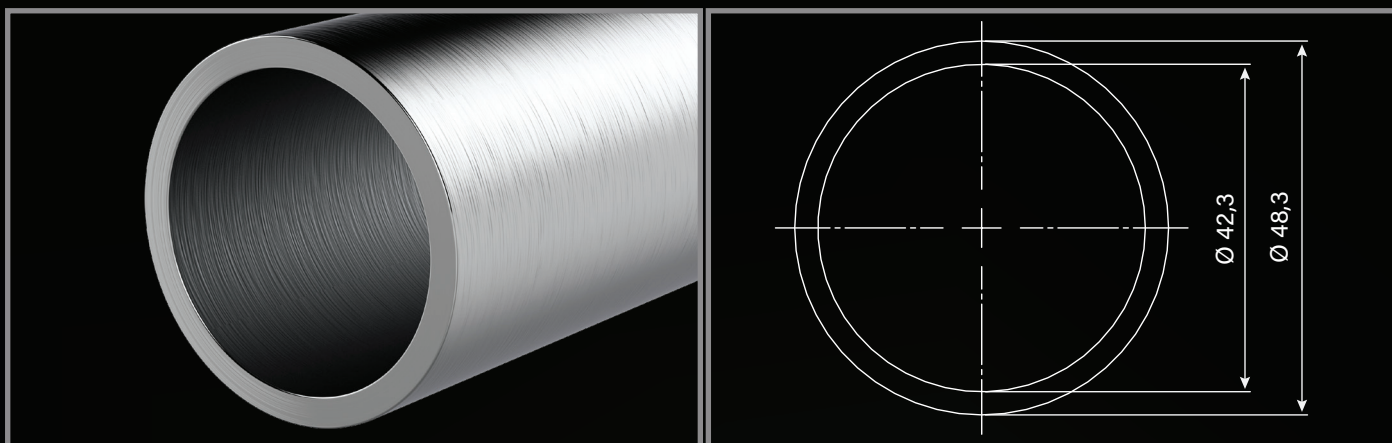
Support Arm and Control Panel Systems

# STAINLESS STEEL SERIES



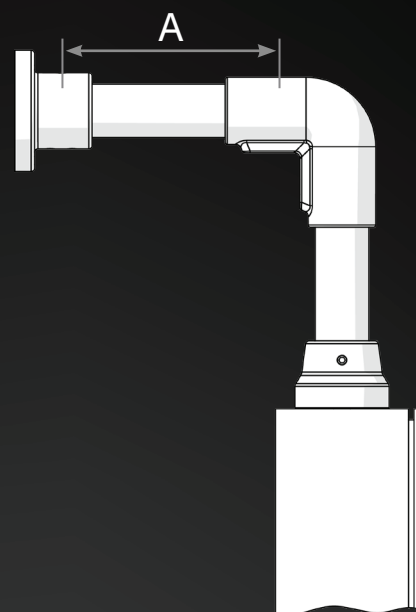
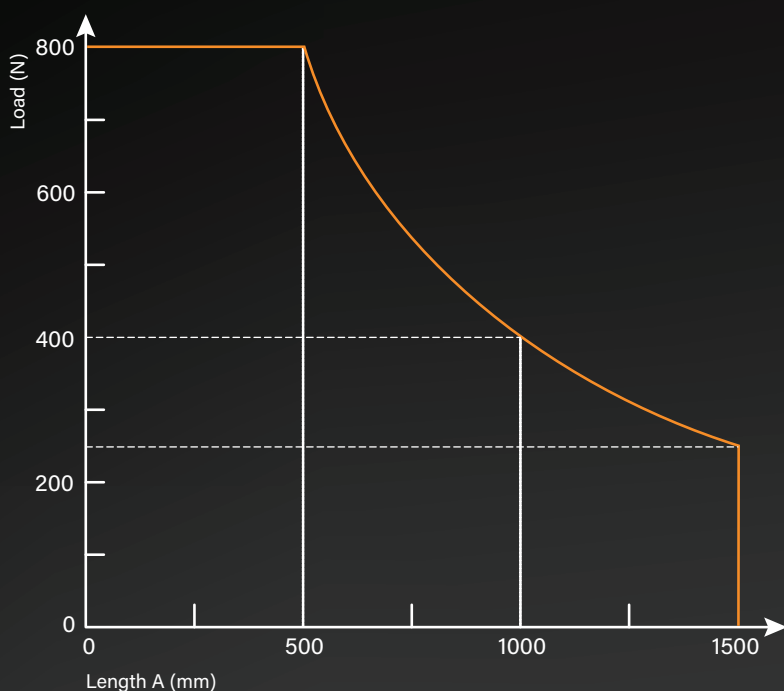
20/24

# STAINLESS PIPE PROFILE



TK048 Series operator arms are stainless steel pipe profiles with an outer diameter 48,3 mm, thickness 3 mm and length 250, 500, 750, 1000 mm. Stainless steel pipes produced with precision production technique have high strength with its rigid structure and strong cross-section. It is made of AISI 304 quality stainless steel material. The pipe surface is polished with satin surface treatment. It is fixed to the connection modules with multiple clamping screws. You do not need to do any work on the pipe profile, you can take it out of the box and assemble it. Please contact us for your support profile requests in different lengths.

## LOAD DIAGRAMS

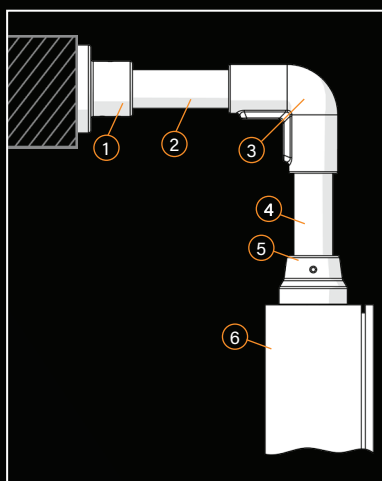


Permissible load depending on system configuration.

PRODUCT CODE	LENGHT	WEIGHT	DIAMETER	SURFACE	MATERIAL
TK048.025	250 MM	950 GR	Ø 48.3 MM	SATIN	STAINLESS STEEL 1.4301 (AISI 304)
TK048.050	500 MM	1900 GR	Ø 48.3 MM	SATIN	STAINLESS STEEL 1.4301 (AISI 304)
TK048.075	750 MM	2850 GR	Ø 48.3 MM	SATIN	STAINLESS STEEL 1.4301 (AISI 304)
TK048.100	1000 MM	3800 GR	Ø 48.3 MM	SATIN	STAINLESS STEEL 1.4301 (AISI 304)

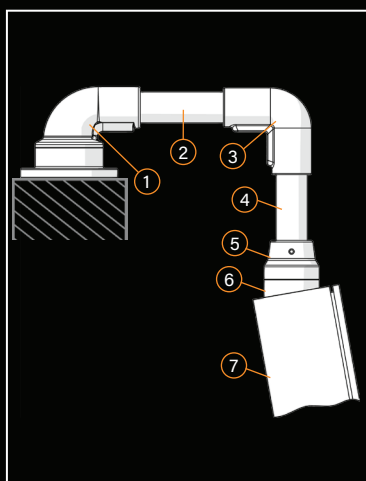
# CONFIGURATIONS

**A**



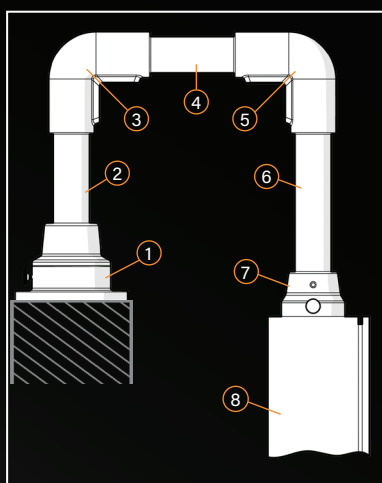
NO	PRODUCT CODE
1.	TK048.800
2.	TK048.050
3.	TK048.420
4.	TK048.050
5.	TK048.320
6.	STAINLESS PANEL

**B**



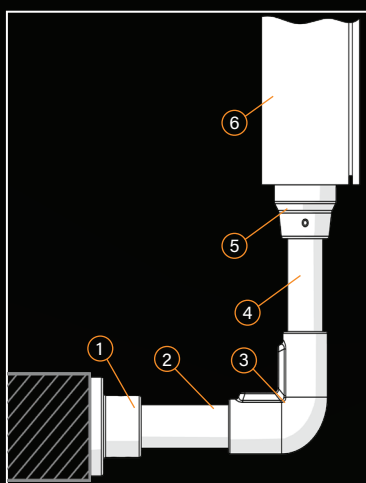
NO	PRODUCT CODE
1.	TK048.600
2.	TK048.050
3.	TK048.420
4.	TK048.050
5.	TK048.320
6.	TK048.323
7.	STAINLESS PANEL

**C**



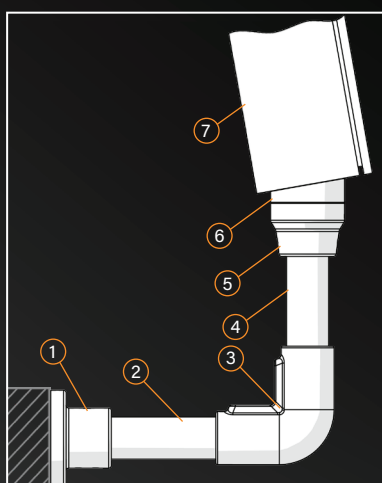
NO	PRODUCT CODE
1.	TK048.610
2.	TK048.050
3.	TK048.420
4.	TK048.050
5.	TK048.420
6.	TK048.050
7.	TK048.320
8.	STAINLESS PANEL

**D**



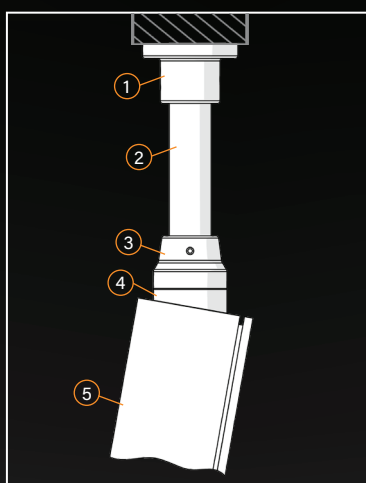
NO	PRODUCT CODE
1.	TK048.800
2.	TK048.050
3.	TK048.420
4.	TK048.050
5.	TK048.320
6.	STAINLESS PANEL

**E**



NO	PRODUCT CODE
1.	TK048.800
2.	TK048.050
3.	TK048.420
4.	TK048.050
5.	TK048.320
6.	TK048.323
7.	STAINLESS PANEL

**F**



NO	PRODUCT CODE
1.	TK048.800
2.	TK048.050
3.	TK048.320
4.	TK048.323
5.	STAINLESS PANEL

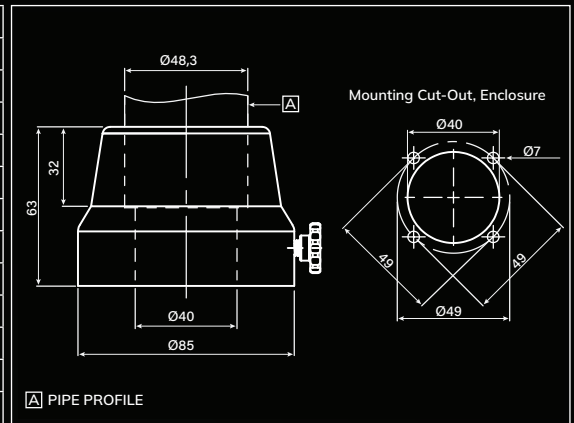
“Assembly applications are for illustrative purposes.”

# STAINLESS MODULES

## TK048.320



STAINLESS PANEL COUPLING MODULE	
Weight	1260 gr
Width	85 mm
Height	63 mm
Depth	85 mm
Colour	Satinised surface
Material	Stainless steel (AISI 304)
IP rating	IP66
Rotatable	(+160° / -160°)
Tilttable	No
Package quantity	1
Package dimensions	90x66x90 mm
Custom colours on request	Please contact us

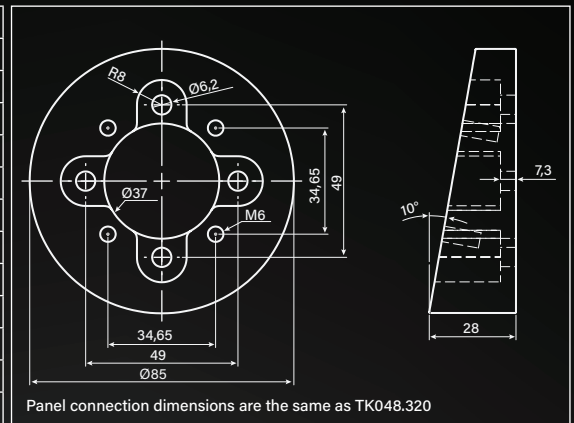


TK048.320 Panel vertical input module is a panel connection module made of AISI 304 quality stainless steel material. It is fixed to the profile with two connection bolts. Four connection bolts are needed for panel connection. With its high sealing feature (IP66), it can be easily used in liquid contact working areas. The outer surface of the module is satinised surface treated and is shipped ready for use. The module has 160° rotation movement in right direction and 160° rotation movement in left direction. It is used with stainless steel pipe profiles with an outer diameter of 48.3 mm.

## TK048.323



STAINLESS 10° ANGLE ADAPTER	
Weight	700 gr
Width	85 mm
Height	28 mm
Depth	85 mm
Colour	Satinised surface
Material	Stainless steel (AISI 304)
IP rating	IP66
Rotatable	No
Tilttable	No
Package quantity	1
Package dimensions	90x66x90 mm
Custom colours on request	Please contact us

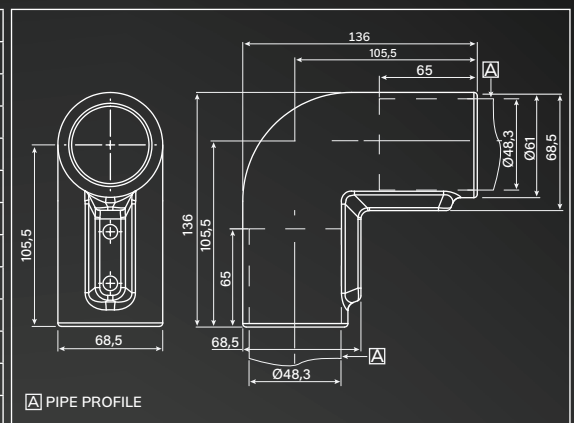


TK048.323 10° angle adapter module is made of AISI 304 quality stainless steel material and is a module that provides ergonomic use to the panels. With its high sealing feature (IP66), it can be easily used in working areas with liquid contact. The outer surface of the module is satinised surface treated and sent ready for use. This product is used together with TK048.320 module.

## TK048.420



STAINLESS CORNER TURN MODULE	
Weight	1760 gr
Width	61 mm
Height	136 mm
Depth	136 mm
Colour	Satinised surface
Material	Stainless steel (AISI 304)
IP rating	IP66
Rotatable	No
Tilttable	No
Package quantity	1
Package dimensions	65x140x140 mm
Custom colours on request	Please contact us

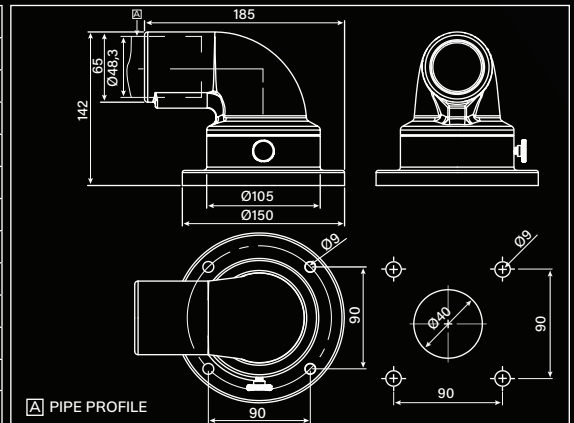


TK048.420 Corner turn module is a 90° fixed turning module made of AISI 304 quality stainless steel material. It is fixed with four connection bolts. With its high sealing feature (IP66), it can be easily used in liquid contact working areas. The outer surface of the module is satinised surface treated and shipped ready for use. It is used with stainless steel pipe profiles with an outer diameter of 48.3 mm.

## TK048.600



STAINLESS ROTATABLE TOP MOUNTED	
Weight	5200 gr
Width	150 mm
Height	142 mm
Depth	185 mm
Colour	Satinised surface
Material	Stainless steel (AISI 304)
IP rating	IP66
Rotatable	(+165° / -165°)
Tiltable	No
Package quantity	1
Package dimensions	155x145x190 mm
Custom colours on request	Please contact us

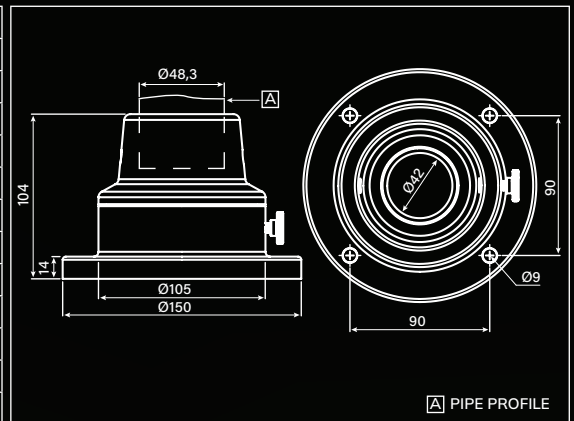


TK048.600 Top Mounted Module Corner Outlet is a top mounting movable turning module made of AISI 304 quality stainless steel material. It is fixed with four connection bolts. With its high sealing feature (IP66), it can be easily used in liquid contact working areas. The outer surface of the module is satinised surface treated and shipped ready for use. It is used with stainless steel pipe profiles with an outer diameter of 48.3 mm.

## TK048.610

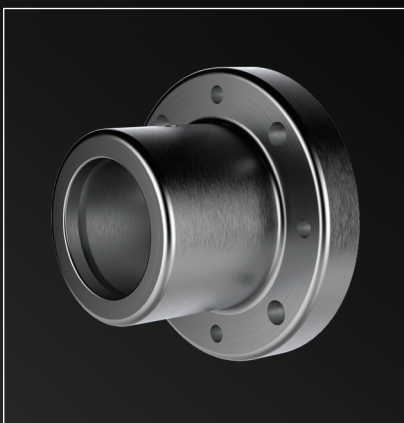


STAINLESS ROTATABLE TOP MOUNTED VERTICAL	
Weight	4100 gr
Width	150 mm
Height	105 mm
Depth	150 mm
Colour	Satinised surface
Material	Stainless steel (AISI 304)
IP rating	IP66
Rotatable	(+165° / -165°)
Tiltable	No
Package quantity	1
Package dimensions	155x110x155 mm
Custom colours on request	Please contact us

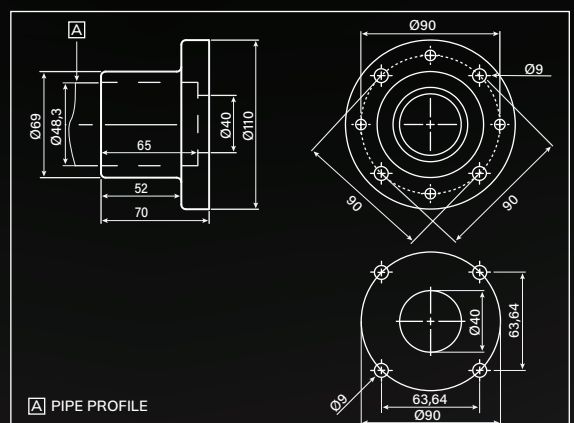


TK048.610 Top mounting module vertical outlet is a top mounting movable return module made of AISI 304 quality stainless steel material. It is fixed with four connection bolts. With its high sealing feature (IP66), it can be easily used in working areas with liquid contact. The outer surface of the module is satinised surface treated and shipped ready for use. It is used with stainless steel pipe profiles with an outer diameter of 48.3 mm.

## TK048.800

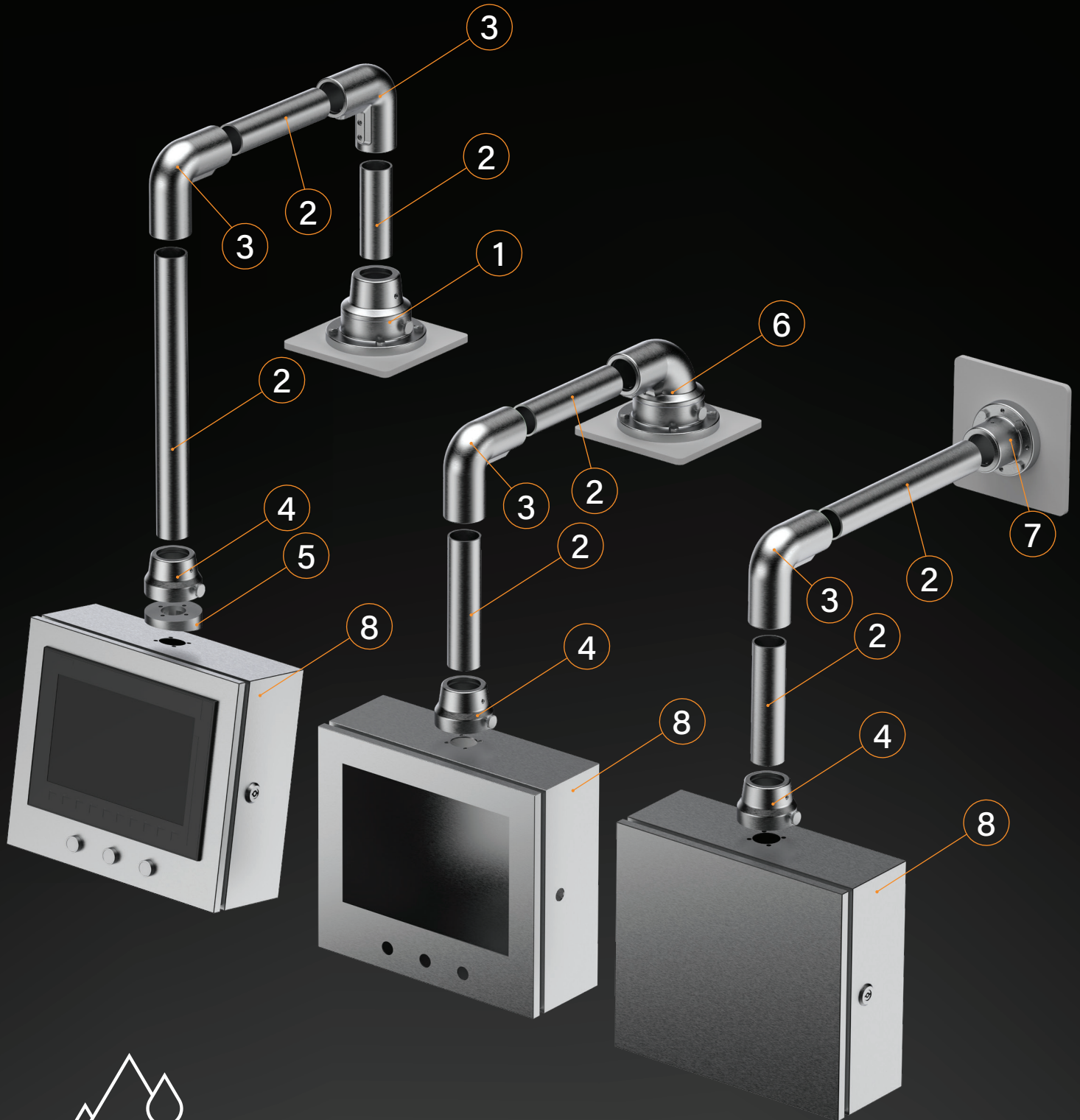


STAINLESS WALL MOUNTED MODULE	
Weight	1760 gr
Width	110 mm
Height	110 mm
Depth	70 mm
Colour	Satinised surface
Material	Stainless steel (AISI 304)
IP rating	IP66
Rotatable	No
Tiltable	No
Package quantity	1
Package dimensions	115x115x75 mm
Custom colours on request	Please contact us



TK048.800 Wall - floor mounted module is a connection module made of AISI 304 quality stainless steel material. It can be easily mounted on surfaces such as machine surface etc. or wall-floor. There is a balancing feature on it to prevent linear distortions due to the surface to be mounted or sagging due to weight. With its high sealing feature (IP66), it can be easily used in liquid contact working areas. The outer surface of the module is satinised surface treated and shipped ready for use. It is used with stainless steel pipe profiles with an outer diameter of 48.3 mm.

# TK048 STAINLESS ARM SERIES PRODUCT LIST



“Assembly applications are for illustrative purposes.”

# 1 TK048.610

Stainless Rotatable Top Mounted Vertical

# 2 TK048.025

Stainless Pipe Profile

# 3 TK048.420

Stainless Corner Turn Module

# 4 TK048.320

Stainless Panel Coupling Module

# 5 TK048.323

Stainless Rotatable Top Mounted Vertical

# 6 TK048.600

Stainless Rotatable Top Mounted

# 7 TK048.800

Stainless Wall Mounted Module

# 8 Stainless Panel

## AREAS OF USAGE



Operator arm and panel products made from stainless steel 1.4301 (AISI 304) offer significant advantages, particularly in food and pharmaceutical production facilities where stringent hygiene control is mandatory. These products can be easily integrated into the machinery and automation systems used in such production processes. Due to its outstanding properties, stainless steel 1.4301 is frequently chosen for these types of applications.

AISI 304 grade stainless steel, with its composition of 18% chromium and 8% nickel, provides excellent corrosion resistance. This feature is especially critical in environments where corrosion issues are prevalent, such as moist and acidic conditions. Given the emphasis on hygiene in food and pharmaceutical production areas, using materials resistant to corrosion is crucial for product safety and quality control.



The high IP (Ingress Protection) rating of these operator arm and panel products ensures superior protection against dust, water, and other external factors. This contributes to the longevity of the equipment used in production areas and reduces maintenance costs. A high IP rating also ensures safe use in environments where electronic components are sensitive to external influences.

Another significant advantage of stainless steel 1.4301 is its ease of sterilization. This material is compatible with the cleaning solutions used in the food and pharmaceutical industries and is resistant to regular disinfection and cleaning processes. This ensures that production processes can continue uninterrupted and safely. Additionally, the smooth surface of stainless steel prevents the accumulation of microorganisms and dirt, helping to maintain hygiene standards.

In conclusion, operator arm and panel products made from stainless steel 1.4301 provide an ideal solution in food and pharmaceutical production facilities, offering both durability and hygiene. The high resistance to corrosion, high IP rating, and ease of sterilization are key factors in their selection. Consequently, these products ensure reliable and long-lasting use in production processes.





- 1** TK048.800
- 2** TK048.025
- 3** TK048.420
- 4** TK048.320
- 5** PANEL



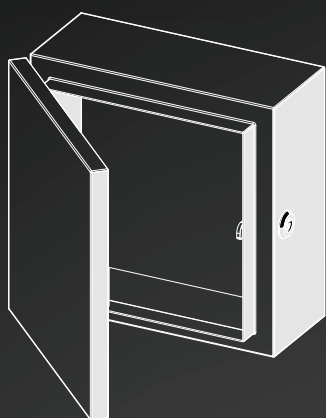
“Assembly applications are for illustrative purposes.”

# STAINLESS PANELS



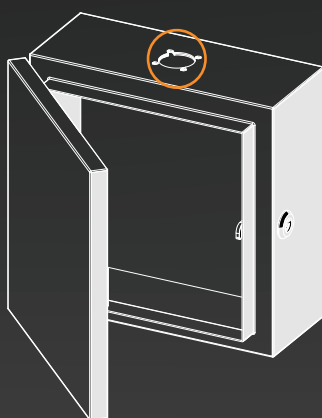
Operator control panels made of stainless steel 1.4301 (AISI 304). Many different mounting configurations can be made with TK048 stainless steel arm systems modules. The control panel's surface is satin (brushed) patterned. Upon request, control panels can be made in different sizes, hole-cutting etc. operations can be performed on the panel.

	PRODUCT CODE	DEPTH (mm)	WIDTH (mm)	HEIGHT (mm)	WEIGHT (kg)	PANEL CONNECTION
	IP150.300.300.K1.01	150	300	300	5.2	NO
IP150.300.300.K1.02	5.1				TOP	
IP150.300.300.K1.03	5.1				BOTTOM	
IP150.400.300.K1.01	150	400	300	6.9	NO	
IP150.400.300.K1.02				6.8	TOP	
IP150.400.300.K1.03				6.8	BOTTOM	
IP150.400.400.K1.01	150	400	400	9.2	NO	
IP150.400.400.K1.02				9.1	TOP	
IP150.400.400.K1.03				9.1	BOTTOM	
IP150.600.400.K1.01	150	600	400	13.8	NO	
IP150.600.400.K1.02				13.7	TOP	
IP150.600.400.K1.03				13.7	BOTTOM	



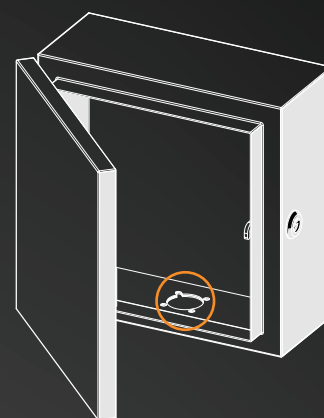
## + Panel Connection - No

There is no connection hole on the panel surface to support the carrier arm system. Different holes can be made upon request.



## + Panel Connection - Top

There are connection holes on the top surface of the panel to support the TK048.320 module.



## + Panel Connection - Bottom

There are connection holes on the bottom surface of the panel to support the TK048.320 module.





**TEKNOKOL OPERATÖR KOL VE PANO SİSTEMLERİ  
SANAYİ VE TİCARET ANONİM ŞİRKETİ**

teknokol@teknokol.com / +90 224 443 23 18

Kayapa Mah. Kayapa Sanayi Bölgesi Karanfil Cad. No:6 16315  
Nilüfer/Bursa/TÜRKİYE

[www.teknokol.com](http://www.teknokol.com)