

Features

- 8" Industrial Compact Size Panel PC
- Intel Celeron J6412 Processor
- 1 x 260-pin SO-DIMM DDR4 slot, up to 32GB 3200MHz
- Flat Front Panel Touch Screen with IP66 Front Bezel
- Support Expansion via Full-size Mini-PCIe and M.2 slots
- Support TPM2.0 Hardware Security
- DC 9~36V Wide Range Power Input
- High Brightness 1,000 nits for option

Specifications

| System         |   |
|----------------|---|
| CPU            | Intel Celeron J6412 Processor (2.0 GHz, 1.5MB L2 cache) |
| System Chipset | SoC   |
| Memory         | 1 x 260-pin SO-DIMM up to 32GB DDR4 3200MHz             |
| TPM            | TPM 2.0   |

| I/O Port          |  |
|-------------------|--|
| USB               | 2 x USB 3.2 Gen2 type A<br>2 x USB 2.0 type A                          |
| Serial / Parallel | 1 x RS-232/422/485 (Default RS-232; select via BIOS)                   |
| Audio             | 1 x Line-out   |
| LAN               | 2 x 2.5GbE LAN RJ-45 (I226)  |
| DP                | 1 x DP, support DP++   |
| Power             | 1 x 3-pin Terminal Block Connector<br>1 x 2-pin Power Switch Connector |
| Option            | VESA Stand<br>4G LTE/Wi-Fi/Bluetooth<br>Auto Dimming                   |

| Storage Space |   |
|---------------|---|
| Storage       | 1 x M.2 B-Key slot; (Support SATA3; 2242) |

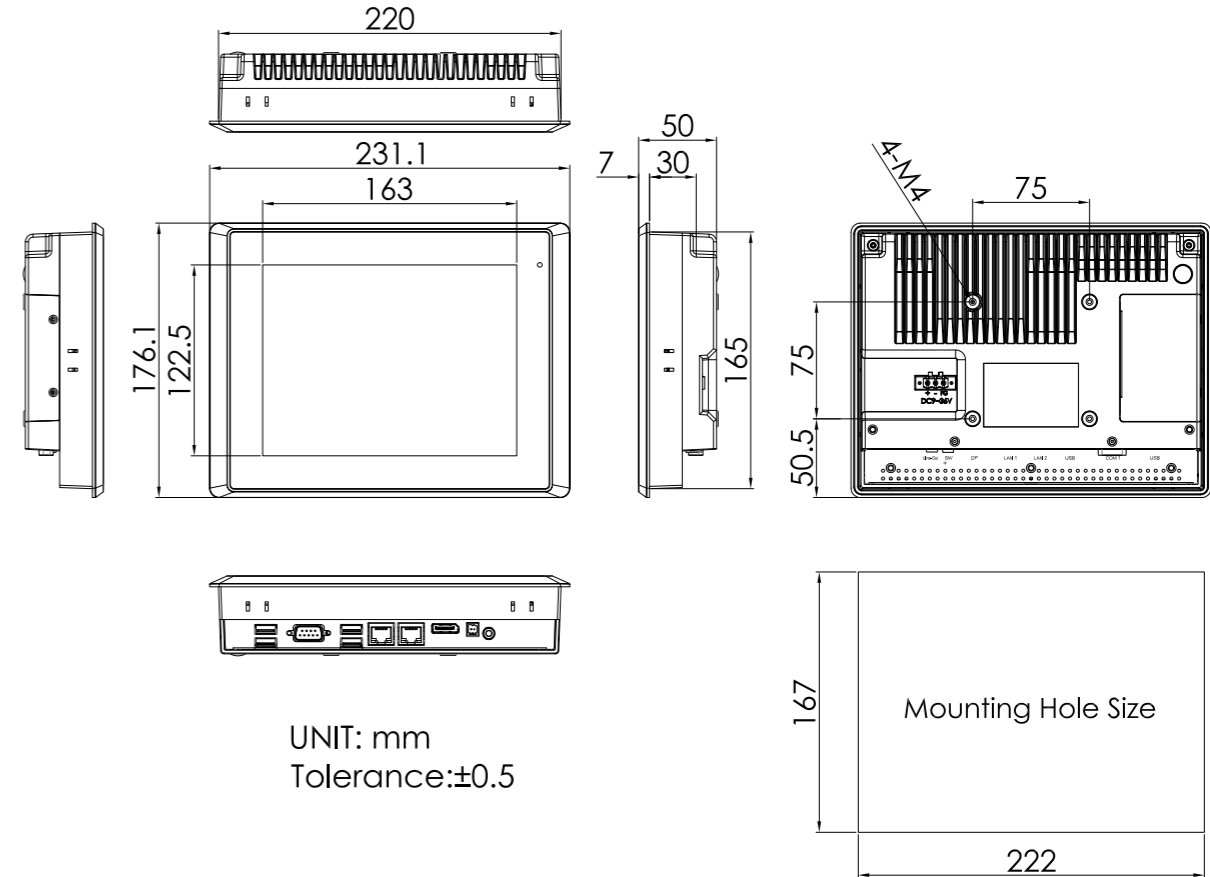
| Expansion             |   |
|-----------------------|---|
| Onboard Expansion Bus | 1 x Mini-PCIe slot (full size)<br>1 x M.2 E-key<br>1 x Nano SIM Card holder |

| Display                        | Standard        | Optional High Brightness |
|--------------------------------|-----------------|--------------------------|
| Display Type                   | 8" TFT-LCD      | 8" TFT-LCD               |
| Max. Resolution                | 800 x 600       | 800 x 600                |
| Max. Color                     | 16.2M           | 16.2M                    |
| Luminance (cd/m <sup>2</sup> ) | 450             | 1000                     |
| View Angle                     | 140(H) / 130(V) | 140(H) / 130(V)          |
| Contrast                       | 500:1           | 500:1                    |
| Backlight Lifetime             | 40,000 hrs      | 20,000 hrs               |

| Touch Screen          |   |
|-----------------------|---|
| Type                  | Resistive Touch (for BR Model)<br>Projected Capacitive Touch (for BP Model) |
| Interface             | USB   |
| Light Transmission(%) | Resistive Touch: 80%<br>Projected Capacitive Touch: 90%                     |

| Power             |                     |
|-------------------|---------------------|
| Power Input       | DC 9~36V            |
| Power Consumption | ARCHMI-808BP/R: 32W |

Dimensions



| Mechanical         |                              |
|--------------------|------------------------------|
| Construction       | Aluminum Die-casting Chassis |
| Mounting           | Panel Mount, VESA 75 x 75    |
| Dimensions (WxHxD) | 231.1 x 176.1 x 50 mm        |
| IP Rating          | IP66 Compliant Front Bezel   |
| Net Weight         | 1.8 kg                       |

| Environmental         |                                 |
|-----------------------|---------------------------------|
| Operating Temperature | 0~50°C / -20~60°C (option)      |
| Storage Temperature   | -30~70°C                        |
| Humidity              | 10 to 95%@ 40°C, non-condensing |
| Certificate           | CE/FCC Class B                  |

| Operating System Support       |  |
|--------------------------------|--|
| Windows 10 IoT, Windows 11 IoT |  |

| Ordering Information |  |
|----------------------|--|
| ARCHMI-808BR         | 8" SVGA fanless HMI barebone with Intel Celeron J6412 processor, 1 x DDR4 slot, Resistive touch screen, 9~36V DC input with adapter, Aluminum chassis.                     |
| ARCHMI-808BP         | 8" SVGA fanless HMI barebone with Intel Celeron J6412 processor, 1 x DDR4 slot, Projected Capacitive touch, 9~36V DC input with adapter, Aluminum chassis.                 |
| ARCHMI-808BR(H)      | 8" high brightness SVGA fanless HMI barebone with Intel Celeron J6412 processor, 1 x DDR4 slot, Resistive touch screen, 9~36V DC input with adapter, Aluminum chassis.     |
| ARCHMI-808BP(H)      | 8" high brightness SVGA fanless HMI barebone with Intel Celeron J6412 processor, 1 x DDR4 slot, Projected Capacitive touch, 9~36V DC input with adapter, Aluminum chassis. |