

# Apacer

The Most **Reliable**  
Storage For Industries

SV250-M242 CoreSnapshot 2



## SV250-M242 CoreSnapshot 2

### Overview

SV250-M242 CoreSnapshot 2 Client Edition is built with a powerful SATA controller that supports on-the-module ECC as well as efficient wear leveling scheme and implemented with LDPC (Low Density Parity Check) ECC engine to extend SSD endurance and increase data reliability. Furthermore, SV250-M242 CoreSnapshot 2 Client Edition is equipped with a built-in thermal sensor to monitor the temperature of the SSD via S.M.A.R.T commands to prevent overheating. For highly-intensive applications, End-to-End Data Protection ensures that data integrity can be assured at multiple points in the path to enable reliable delivery of data transfers. Security-wise, Advanced Encryption Standard (AES) ensures data security and provides users with peace of mind knowing their data is safeguarded at all times.



On top of that, SV250-M242 CoreSnapshot 2 Client Edition features CoreSnapshot 2, a system disaster's savior, to offer an instant whole disk backup and recovery mechanism for SSDs to solve unexpected data loss or OS crash immediately, reducing downtime and maximizing output.

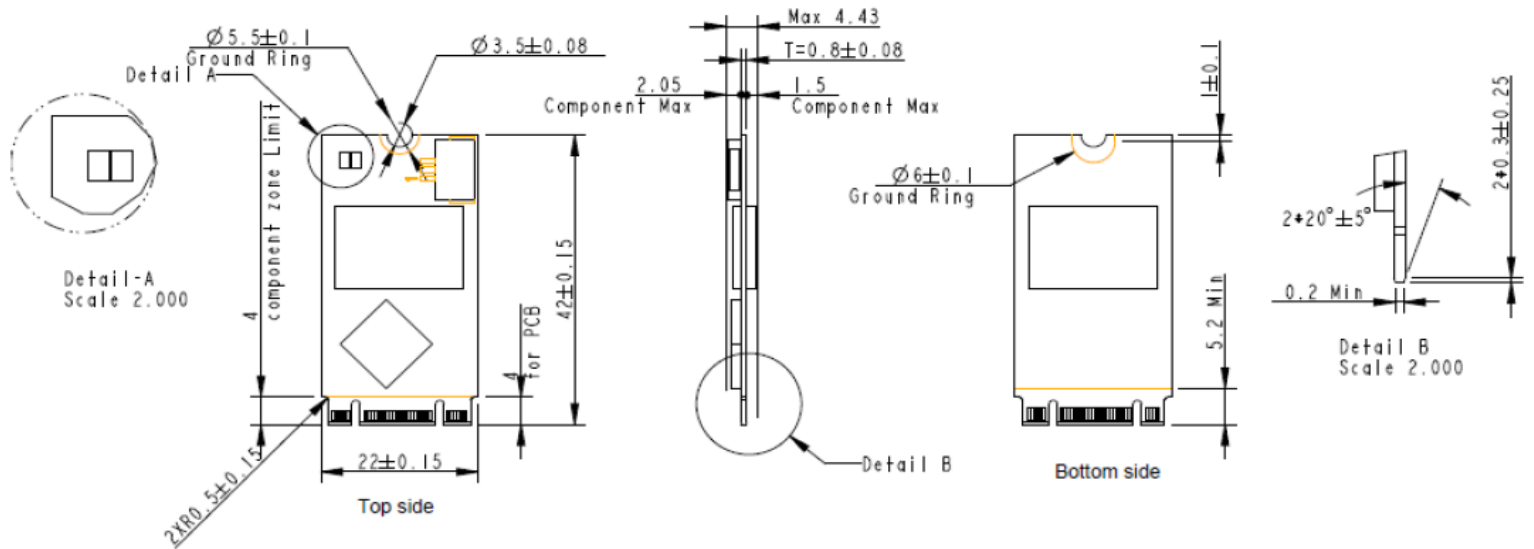
## Feature

- Low-Density Parity-Check (LDPC) Code
- Global Wear Leveling
- Flash bad-block management
- Flash Translation Layer: Page Mapping
- S.M.A.R.T. Function
- DataDefender™
- Device Sleep
- ATA Secure Erase
- TRIM Support
- Hyper Cache Technology
- Over-provisioning
- SMART Read Refresh™

## Specifications

<b>Model</b>	SV250-M242 CoreSnapshot 2
<b>Interface</b>	SATA 3.2 (6Gb/s)
<b>Connector</b>	75-pin SATA-based M.2 module pinout 3-pin CoreSnapshot 2 connector
<b>Form Factor</b>	M.2 2242 B-M
<b>NAND Flash Type</b>	3D TLC
<b>Capacity</b>	60GB~480GB
<b>External DRAM</b>	No
<b>Sustained Read Performance (MB/sec)</b>	Up to 550
<b>Sustained Write Performance (MB/sec)</b>	Up to 485
<b>ECC Engine</b>	Low-Density Parity-Check (LDPC) Code
<b>IOPs (4K Random Write)</b>	65K
<b>Standard Operating Temperature ( °C )</b>	0 ~ + 70
<b>Extended Operating Temperature ( °C )</b>	-40 ~ + 85
<b>Storage Temperature ( °C )</b>	-40 ~ + 100
<b>Thermal Sensor</b>	Yes
<b>Shock</b>	Operation: Acceleration, 50(G)/11(ms)/half sine (compliant with MIL-STD-202G) Non-operation: Acceleration, 1,500(G)/0.5(ms)/half sine (compliant with MIL-STD-883K)
<b>Vibration</b>	Operation: 7.69(Grms), 20~2000(Hz)/random (compliant with MIL-STD-810G) Non-operation: 4.02(Grms), 15~2000(Hz)/random (compliant with MIL-STD-810G)
<b>Operating Voltage</b>	3.3 V ± 5%
<b>Power Consumption</b>	Active mode: 400 mA / Idle mode: 65 mA
<b>Dimension (L x W x H)</b>	22.00 x 42.00 x 4.43 (mm)
<b>MTBF (hours)</b>	>3,000,000

## Mechanical Specification



Unit: mm

For more information,  
contact your Apacer representative

### Global Presence

Taiwan (Headquarters)  
Apacer Technology Inc.  
Tel: +886-2-2267-8000  
Fax: +886-2-2267-2261

Europe  
Apacer Technology B.V.  
Tel: +31-40-267-0000  
Fax: +31-40-290-0686

U.S.A.  
Apacer Memory America, Inc.  
Tel: +1-408-518-8699  
Fax: 1-510-249-9551

Shanghai  
Apacer Electronic(Shanghai)  
Co., Ltd.  
Tel: +86-21-6228-9939

Japan  
Apacer Technology Corp.  
Tel: +81-3-5419-2668  
Fax: +81-3-5419-0018

India  
Apacer Technologies Pvt. Ltd.  
Tel: +91-80-41529061~3  
Fax: +91-80-41700215