

# Apacer

The Most **Reliable**  
Storage For Industries

UV110-UFD5



## UV110-UFD5

### Overview

Apacer's UV110-UFD5 utilizes 3D NAND for higher capacity up to 256GB, provides more power efficiency than 2D NAND and enhances environment and ESD protection, with the aim of replacing a conventional IDE hard disk drive.



UV110-UFD5 is a new generation USB flash drive compatible with the latest USB specification – USB 3.2 Gen1 Super Speed, with a maximum transfer rate of 5.0 Gb/s. The connector is backward compatible with USB 2.0 and USB 1.1 interfaces. With compliance with USB 3.2 specification, this USB drive can deliver up to 275 MB/s outstanding performance.

Reliability wise, UV110-UFD5 is implemented with LDPC (Low Density Parity Check) ECC engine to extend SSD endurance and increase data reliability while reading raw data inside a flash chip. In addition, the drive comes with various implementations including powerful hardware ECC engine, Wear Leveling, flash block management, S.M.A.R.T., Page Mapping, etc. This product is well suited for portable flash storage applications while operating at minimal power consumption.

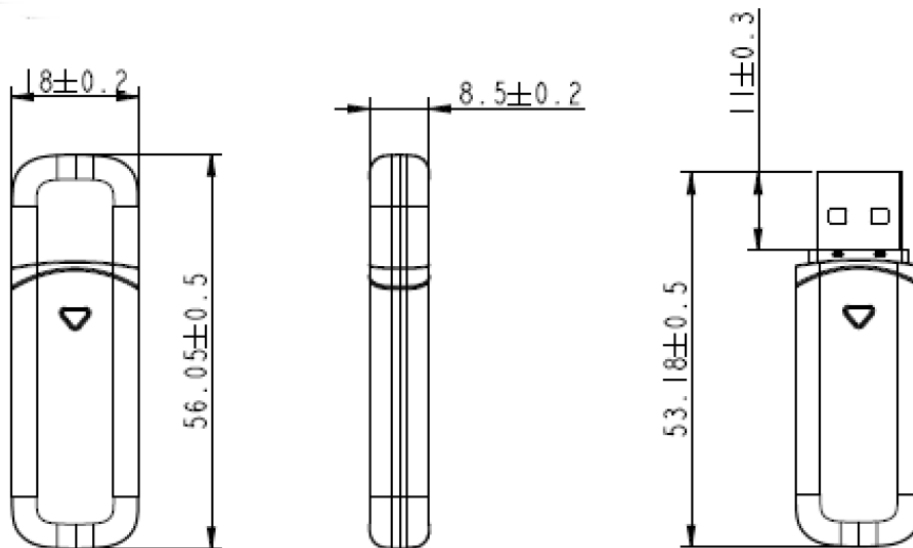
### Feature

- ESD Prevention: Air discharge  $\pm 15\text{KV}$ ; contact discharge  $\pm 8\text{KV}$
- Adopts advanced LDPC ECC engine with 3D NAND flash memory to improve reliability
- Global Wear Leveling
- Flash bad-block management
- 4K Page Mapping
- Power Failure Management
- S.M.A.R.T.
- Hyper Cache Technology
- SMART Read Refresh™

## Specifications

<b>Model</b>	UV110-UFD5
<b>Interface</b>	USB 3.2 Gen1
<b>Connector</b>	USB Type A Plug
<b>Form Factor</b>	USB flash drive
<b>NAND Flash Type</b>	3D TLC
<b>Capacity</b>	128GB~256GB
<b>External DRAM</b>	No
<b>Sustained Read Performance (MB/sec)</b>	Up to 275
<b>Sustained Write Performance (MB/sec)</b>	Up to 190
<b>ECC Engine</b>	Low-Density Parity-Check (LDPC) Code
<b>IOPS (4K Random Write)</b>	1000
<b>Standard Operating Temperature ( °C )</b>	0 ~ + 70
<b>Extended Operating Temperature ( °C )</b>	-40 ~ + 85
<b>Storage Temperature ( °C )</b>	-40 ~ + 100
<b>Housing</b>	Yes
<b>H/W Write Protect</b>	No
<b>Shock</b>	Operation: 50G/11ms (compliant with MIL-STD-202G) Non-operation: 1500G/0.5ms (compliant with MIL-STD-883K)
<b>Vibration</b>	Operation: 7.69 Grms, 20~2000 Hz/random (compliant with MIL-STD-810G) Non-operation: 4.02 Grms, 15~2000 Hz/random (compliant with MIL-STD-810G)
<b>Operating Voltage</b>	5.0 V ± 5%
<b>Power Consumption</b>	Active mode: 215 mA; Idle mode: 85 mA
<b>Dimension (L x W x H )</b>	56.05 x 18.00 x 8.5 (mm)
<b>MTBF (hours)</b>	>3,000,000

## Mechanical Specification



Unit: mm

For more information,  
contact your Apacer representative

### Global Presence

Taiwan (Headquarters)  
Apacer Technology Inc.  
Tel: +886-2-2267-8000  
Fax: +886-2-2267-2261

Europe  
Apacer Technology B.V.  
Tel: +31-40-267-0000  
Fax: +31-40-290-0686

U.S.A.  
Apacer Memory America, Inc.  
Tel: +1-408-518-8699  
Fax: 1-510-249-9551

China  
Apacer Electronic(Shanghai)  
Co., Ltd.  
Tel: +86-21-6228-9939

Japan  
Apacer Technology Corp.  
Tel: +81-3-5419-2668  
Fax: +81-3-5419-0018

India  
Apacer Technologies Pvt. Ltd.  
Tel: +91-80-41529061~3  
Fax: +91-80-41700215