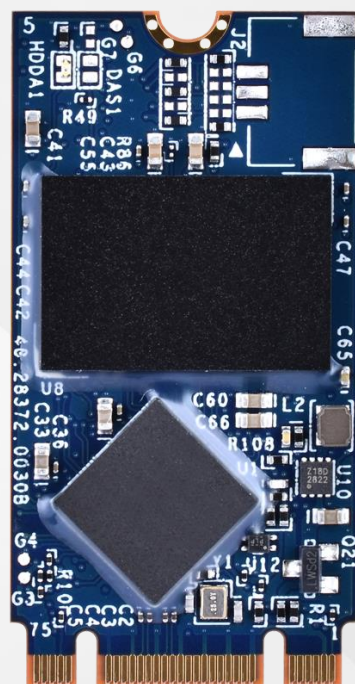


Apacer

The Most **Reliable**
Storage For Industries

SV250-M242



Overview

Apacer SV250-M242 is the next generation Solid State Drive (SSD) with compact size and great performance. Designed in SATA 6 Gb/s interface, SV250-M242 provides full compliance with the latest SATA Revision 3.2 interface specifications and delivers exceptional read/write speed, making it the leading add-in storage solution for future host computing systems.

Utilizing 3D NAND for higher capacity up to 480GB and providing more power efficiency than 2D NAND, SV250-M242 is built with a powerful SATA controller that supports on-the-module ECC as well as efficient wear leveling scheme and implemented with LDPC (Low Density Parity Check) ECC engine to extend SSD endurance and increase data reliability. Furthermore, SV250-M242 is equipped with a built-in thermal sensor to monitor the temperature of the SSD via S.M.A.R.T commands to prevent overheating.

To ensure that products continue to operate normally in high vibration and under extreme environmental changes, Apacer provides Sidefill technology to increase product reliability and resistance to thermal and mechanical stress. For highly-intensive applications, End-to-End Data Protection ensures that data integrity can be assured at multiple points in the path to enable reliable delivery of data transfers. Security-wise, Advanced Encryption Standard (AES) ensures data security and provides you with peace of mind knowing your data is safeguarded against unauthorized use at all times.

On top of that, SV250-M242 features CoreRescue ASR (Auto Self Recovery), enabling the creation of the world's first SSD with automatic backup and recovery capabilities that can be activated and executed within seconds. With AI-driven detection and automated responses, your data is shielded from unexpected losses, offering truly unmanned management.



Feature

- CoreRescue ASR (Auto Self Recovery)
- Low-Density Parity-Check (LDPC) Code
- Global Wear Leveling
- Flash bad-block management
- Flash Translation Layer: Page Mapping
- S.M.A.R.T.
- DataDefender™
- Device Sleep
- ATA Secure Erase
- TRIM
- Hyper Cache Technology
- Over-provisioning
- SMART Read Refresh™

Specifications

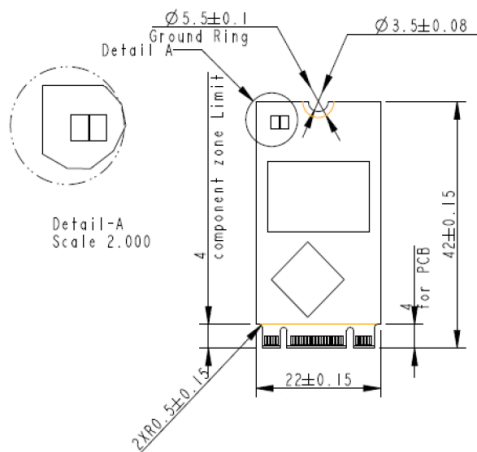
Model	SV250-M242 CoreRescue ASR
Interface	SATA 3.2 (6Gb/s)
Connector	75-pin SATA-based M.2 module pinout
Form Factor	Double-sided M.2 2242-B-M D5
NAND Flash Type	3D TLC
Capacity	60-480GB
External DRAM	No
Sustained Read Performance (MB/sec)	Up to 560
Sustained Write Performance (MB/sec)	Up to 505
ECC Engine	Low-Density Parity-Check (LDPC) Code
IOPs (4K Random Write)	74K
Standard Operating Temperature (°C)	0 ~ + 70
Extended Operating Temperature (°C)	-40 ~ + 85
Storage Temperature (°C)	-55 ~ + 100
Thermal sensor	Yes
Shock	Operation: Acceleration, 50(G)/11(ms)/half sine (compliant with MIL-STD-202G) Acceleration, 1500(G)/0.5(ms)/half sine (compliant with MIL-STD-883K)
Vibration	Operation:7.69(Grms), 20~2000(Hz)/random (compliant with MIL-STD-810G) Non-operation:4.02(Grms), 15~2000(Hz)/random (compliant with MIL-STD-810G)
Operating Voltage	3.3 V ± 5%
Power Consumption	Active mode: 400 mA /Idle mode:65 mA
Dimension (L x W x H)	22.00 x 42.00 x 3.88 (unit: mm)
MTBF (hours)	>3,000,000

Mechanical Specification

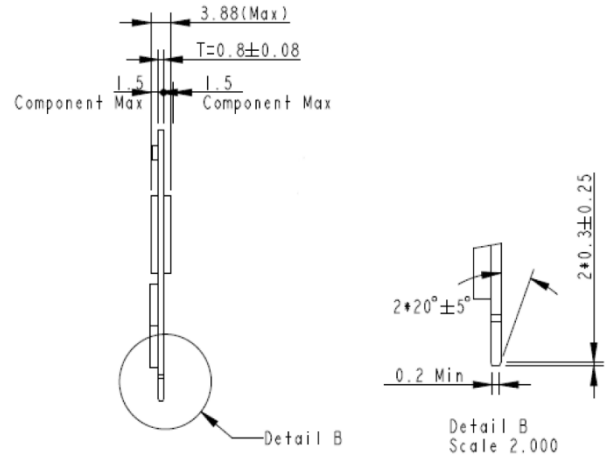
Table 10-1 Physical Information

Parameter	Unit	60 GB	120 GB	240 GB	480 GB
Length	mm	42.00 ± 0.15			
Width		22.00 ± 0.15			
Height (Max)		3.88			
Weight	g ± 5%	3.11	3.55	3.57	3.70

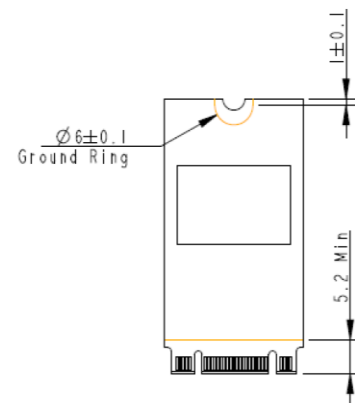
Top View



Side View



Bottom View



For more information,
contact your Apacer representative

Global Presence

Taiwan (Headquarters)
Apacer Technology Inc.
Tel: +886-2-2267-8000
Fax: +886-2-2267-2261

Europe
Apacer Technology B.V.
Tel: +31-40-267-0000
Fax: +31-40-290-0686

U.S.A.
Apacer Memory America, Inc.
Tel: +1-408-518-8699
Fax: 1-510-249-9551

Shanghai
Apacer Electronic(Shanghai)
Co., Ltd.
Tel: +86-21-6228-9939

Japan
Apacer Technology Corp.
Tel: +81-3-5419-2668
Fax: +81-3-5419-0018

India
Apacer Technologies Pvt. Ltd.
Tel: +91-80-41529061~3
Fax: +91-80-41700215