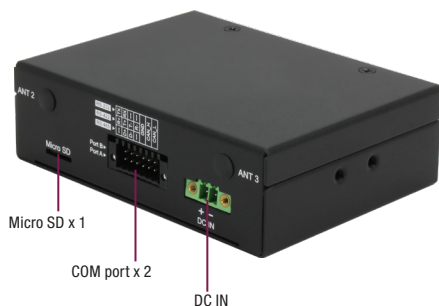
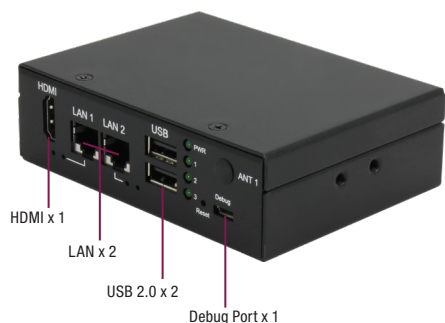


SRG-AM62

Standard RISC Gateway with TI AM62x Sitara™ Processors



Features

- ARM TI AM62x, up to Quad 64-bit Arm® Cortex®-A53
- DDR4, up to 4 GB, eMMC 5.1 x 1
- HDMI 1.4b x 1
- GbE x 2
- USB 2.0 x 2
- Minicard x 2 (half x 1, full x 1)
- COM x 2, CAN x 2, TPM 2.0

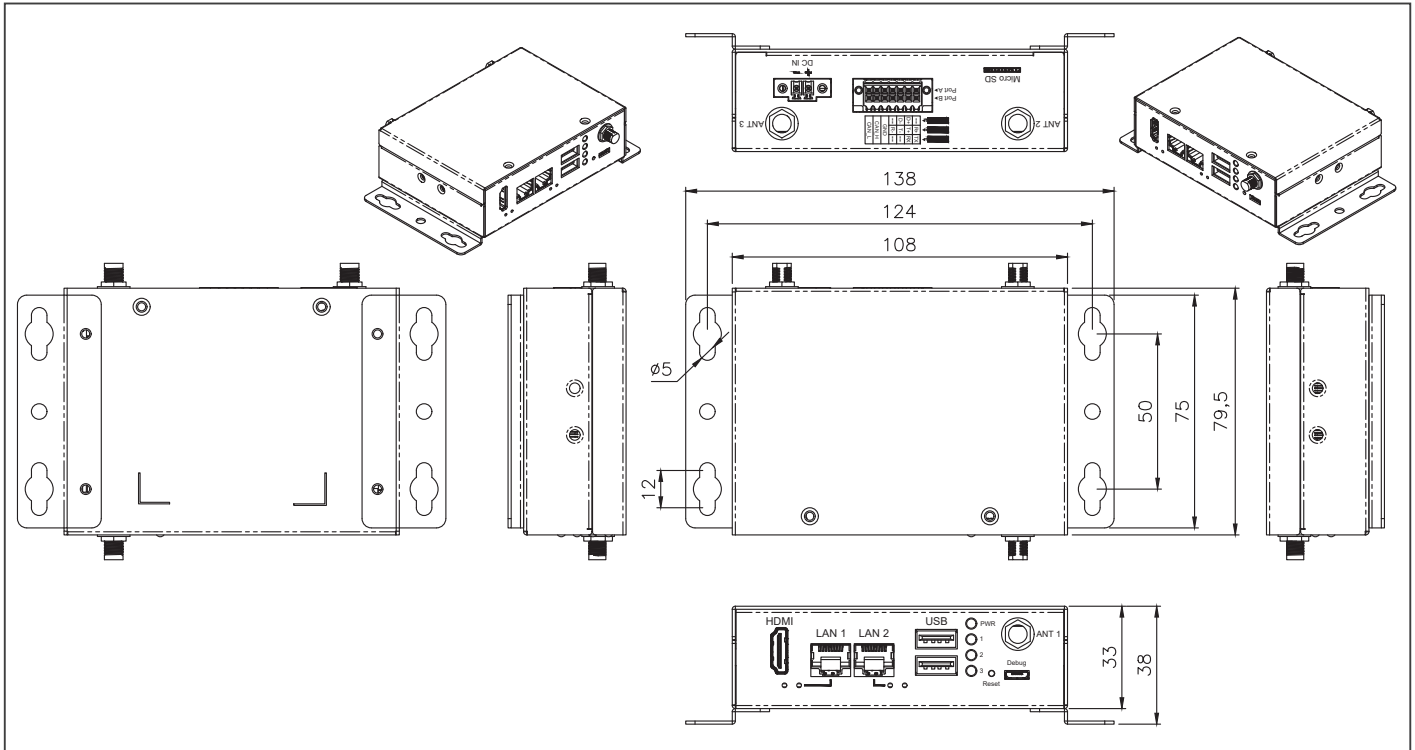


Specifications

System	
Form Factor	SRG, Standard RISC Gateway
Processor	ARM TI AM62x, up to Quad 64-bit Arm® Cortex®-A53
Memory	Onboard DDR4 16 bit, up to 4 GB
Storage	eMMC 5.1 16 GB (Optional 32/64/128 GB) Micro SD Card slot x1
Real Time Clock	RTC x 1, with 3V CR2032H Lithium battery
Security	TPM 2.0 (optional)
Indicators	Programmable LED control x 3
Cellular	Full Size Mini Card x 1 (USB signal)
Wireless Lan	Half Size Mini Card x 1 (USB signal)
Operating System	Debian 12 (Default, GUI is optional) Android 14
Support Protocol	—
I/O Interfaces	
Serial Port	RS-232/422/485 switchable x 2, Phoenix Connector
Ethernet	Gigabit Ethernet x 2, RJ-45 support IEEE 1588, TSN, integrated RGMII
Audio	Line Out x 1 (by request)
USB	USB 2.0 Gen1 x 2 -Host/device by image option, default: host x 1 -Host x 1
ADC	—
DI/DO	—
CAN Bus	CAN-FD x 2 CH, Phoenix Connector
Display	HDMI 1.4b up to 1080p x 1
Power Connector	2 Pin 3.81mm Pitch Phoenix Connector
Debug Port	Micro USB x 1
Expansion Slot	Half Size Mini Card (USB2.0) x 1, support Wifi/BT module, etc Full Size Mini Card (USB2.0) x 1, support 4G module, etc Power control available by software
Other Interface	—
Power Supply	
Power Requirement	DC 9-36V (Optional: 12V)
Power Consumption	9.36W (Full Loading)
MTBF (Hours)	1,279,408 Hours
Environmental and Mechanical	
Dimension	4.25" x 3.13" x 1.29" (108mm x 79.5mm x 33mm)
Weight	0.72 lbs (0.33 kg)
Mount Options	Wall Mount, Din Rail (Optional)
Operation Temperature	-40 °F ~ 185 °F (-40 °C ~ 85 °C) (Option: 0°C ~ 60°C)
Storage Temperature	-40 °F ~ 185 °F (-40 °C ~ 85 °C)
Operation Humidity	0% ~ 90% relative humidity, non-condensing
Certification	CE/FCC Class A

Dimension

Unit: mm



Packing List

- SRG-AM62 x 1
- 2pin 3.81mm Power Terminal block w/lock x 1,
- 18pin 2.54mm Phoenix plug in Connector/lock x 1

Optional Accessories

Part Number	Description
9741EG25G0	PCIe mini card. 4G LTE. module kit. Global Band W/ SIM holder. W/Cable & antenna. Quectel. EG25-G
9686Y00368	Mini card WiFi Kit.802.11ac/a/b/g/n. BT5.0. W/ Cable&Antenna.SparkLan.WPET-239ACN(BT)
9651PX8L00	AC/DC Adapter.100V-240V.12VDC.40W.3.34A (for sample order), w/packaging box
170203180J	POWER CORD.3P-250V 13A.1.8M.UK
170X000799	POWER CORD.3P-125V 10A.1.8M.USA
170X000800	POWER CORD.3P-250V 10A.1.8M.EU
170X000806	POWER CORD.3P-125V 7A.1.8M.TWN
170X000803	POWER CORD.3P-125V 7A.1.8M.JPN
9651MX803	DIN rail kit.25mm
9651MX804	Wall mount kit. 75x27mm

Ordering Information

PART NUMBER	CPU	NPU	MEMORY	DISPLAY	STORAGE	LAN	USB	COM	EXPANSION SLOT	POWER	OPERATING TEMP	AUDIO	OTHERS	OS
SRG-AM62-A10-0001	ARM TI AM6232, Dual-Core Cortex-A53 1.4GHz Processor	—	Onboard DDR4 2GB	—	eMMC 16GB, MicroSD x1	GbE x 1	USB 2.0 x 2	RS232(2-wire)/422/485 x 2	Half Size Mini Card x 1 Full Size Mini Card x 1	+12V (Lockable terminal block)	-40°C ~ 85°C	—	CAN 2.0 FD x 2	Debian 12
SRG-AM62-A10-0002	ARM TI AM6254, Quad-Core Cortex-A53 1.4GHz Processor	—	Onboard DDR4 2GB	HDMI x 1	eMMC 16GB, MicroSD x1	GbE x 2	USB 2.0 x 2	RS232(2-wire)/422/485 x 2	Half Size Mini Card x 1 Full Size Mini Card x 1	+ 9 ~ 36 V (Lockable terminal block)	-40°C ~ 85°C	—	TPM x 1 CAN 2.0 FD x 2	Debian 12