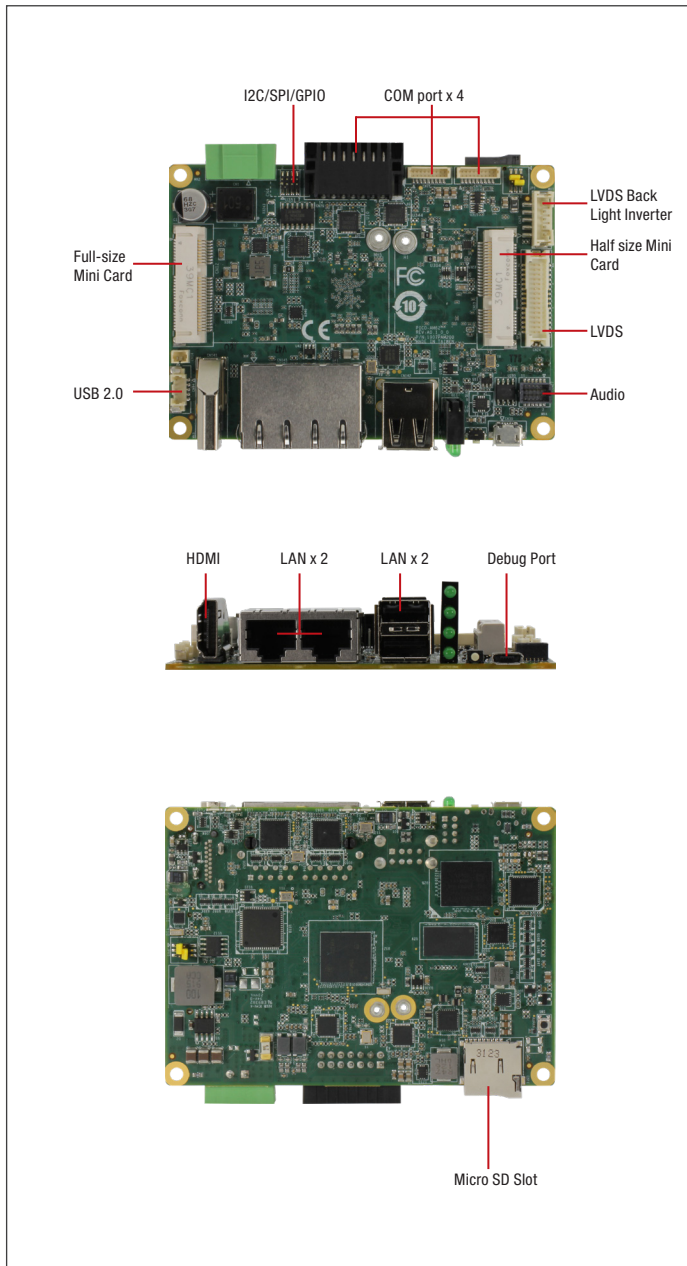


PICO-AM62

Pico-ITX Board with TI AM62x Sitara™ Processors



Features

- ARM TI AM62x, up to Quad 64-bit Arm® Cortex®-A53
- DDR4, up to 4 GB, eMMC 5.1 x 1
- HDMI 1.4b x 1, LVDS x 1
- GbE x 2
- USB 2.0 host/device x 1, USB 2.0 x 2
- Minicard x 2 (half x 1, full x 1)
- COM x 4, CAN x 2, TPM 2.0



USB	USB 2.0 Gen1 x 2 (rear I/O) -Host/device by image option, default: host x 1 -Host x 1 USB2.0 (Pin Header) x 1
ADC	—
DI/DO	—
CAN Bus	CAN-FD x 2 CH, Phoenix Connector (optional)
Display	HDMI 1.4b up to 1080p x 1 LVDS x 1, dual channel, 18/24bit
Power Connector	2 Pin 3.81mm Pitch Phoenix Connector
Debug Port	Micro USB x 1
Expansion Slot	Half Size Mini Card (USB2.0) x 1, power control available by software Full Size Mini Card (USB2.0) x 1, power control available by software SPI x 4 (optional) I2C x 2 (optional) UART x 2 (optional)
Other Interface	GPIO x 1, I2C x 1, SPI x 1 (CSx2)
Power Supply	
Power Requirement	DC 9-36V (Optional: 12V)
Power Consumption	9.36W (Full Loading)
MTBF (Hours)	1,279,408 Hours
Environmental and Mechanical	
Dimension	3.94" x 2.84"(100mm x 72mm)
Weight	0.18 lbs (0.08 kg)
Mount Options	—
Operation Temperature	-40 °F ~ 185 °F (-40 °C ~ 85 °C) (Option: 0°C ~ 60°C)
Storage Temperature	-40 °F ~ 185 °F (-40 °C ~ 85 °C)
Operation Humidity	0% ~ 90% relative humidity, non-condensing
Certification	CE/FCC Class A

Specifications

System	
Form Factor	PICO ITX , 2.5" SBC
Processor	ARM TI AM62x, up to Quad 64-bit Arm® Cortex®-A53
Memory	Onboard DDR4 16 bit, up to 4 GB
Storage	eMMC 5.1 16 GB (Optional 32/64/128 GB) Micro SD Card slot x1
Real Time Clock	RTC x 1, with 3V CR2032H Lithium battery
Security	TPM 2.0 (optional)
Indicators	Programmable LED control x 3
Cellular	Full Size Mini Card x 1 (USB signal)
Wireless Lan	Half Size Mini Card x 1 (USB signal)
Operating System	Debian 12 (Default, GUI is optional) Android 14
Support Protocol	—
I/O Interfaces	
Serial Port	RS-232/422/485 switchable x 4, 2 by Phoenix Connector, 2 by pin header
Ethernet	Gigabit Ethernet x 2, RJ-45 support IEEE 1588, TSN, integrated RGMII
Audio	Line in / Line Out / Mic x 1 (optional)

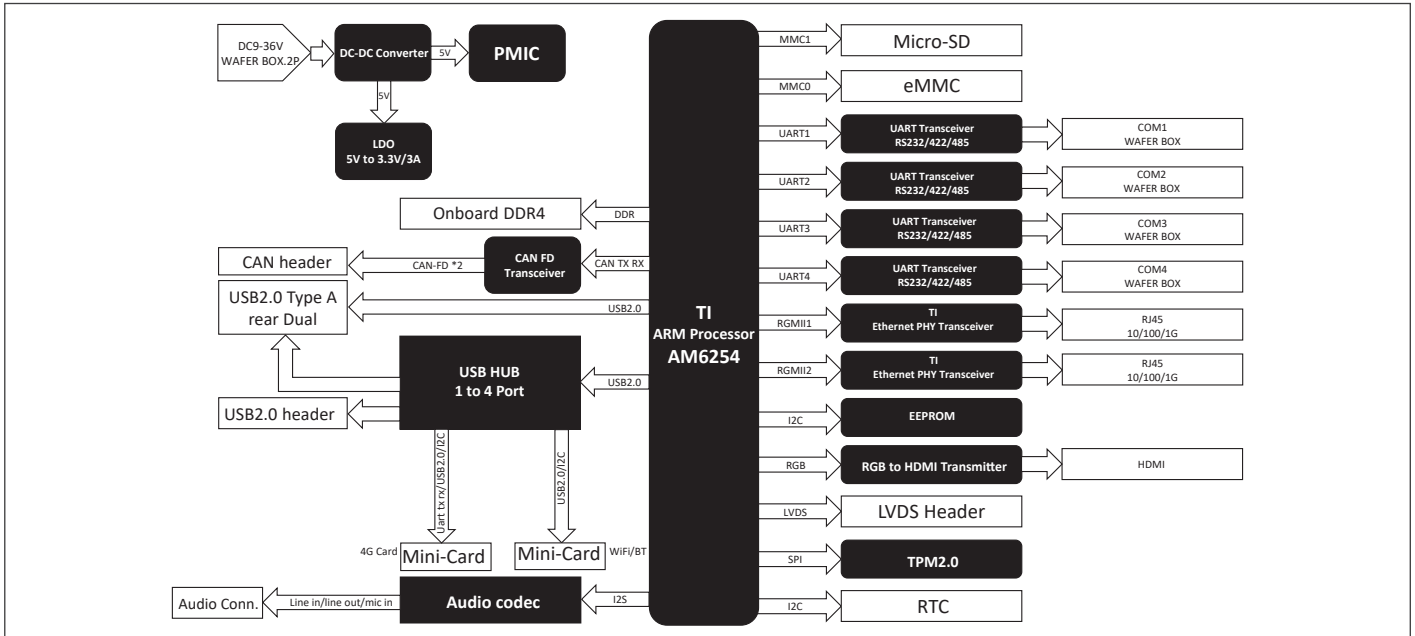
Packing List

- PICO-AM62 x 1
- 2pin 3.81mm Power Terminal block w/lock x 1,
- 18pin 2.54mm Phoenix plug in Connector/lock x 1

Optional Accessories

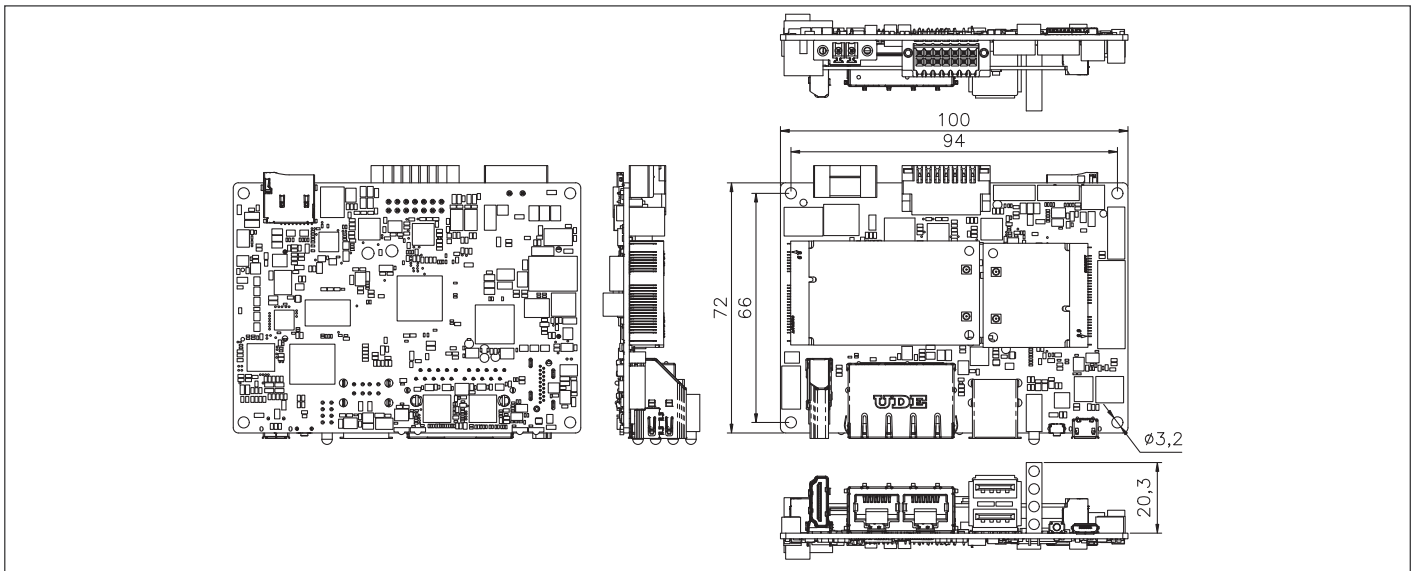
Part Number	Description
9741EG25G0	PCIe mini card. 4G LTE. module kit. Global Band W/ SIM holder. W/Cable & antenna. Quectel. EG25-G
9686Y00368	Mini card WiFi Kit.802.11ac/a/b/g/n. BT5.0. W/ Cable&Antenna.SparkLan.WPET-239ACN(BT)
1700050207	USB2.0 cable. 20cm
170X000156	Audio cable. 25cm
170X000866	COM cable. 12cm
9651PX8L00	AC/DC Adapter.100V-240V.12VDC.40W.3.34A (for sample order), w/packaging box
170203180J	POWER CORD.3P-250V 13A.1.8M.UK
170X000799	POWER CORD.3P-125V 10A.1.8M.USA
170X000800	POWER CORD.3P-250V 10A.1.8M.EU
170X000806	POWER CORD.3P-125V 7A.1.8M.TWN
170X000803	POWER CORD.3P-125V 7A.1.8M.JPN

Block Diagram



Dimension

Unit: mm



Ordering Information

Part Number	CPU	NPU	Memory	Display	Storage	LAN	USB	COM	Expansion slot	Power	Operation Temp.	Audio	Others	OS
PICO-AM62-A10-0001	ARM TI AM6232, Dual-Core Cortex-A53 1.4GHz Processor	—	Onboard DDR4 2GB	LVDS x 1	eMMC 16GB, MicroSD x 1	GbE x 1	USB 2.0 x 3	RS232(2-wire)/422/485 x 2	Half Size Mini Card x 1 Full Size Mini Card x 1	+12V (Lockable terminal block)	-40°C ~ 85°C	—	SPI x 1, I2C x 1, GPIO x 1, CAN 2.0 FD x 2	Debian 12
PICO-AM62-A10-0002	ARM TI AM6254, Quad-Core Cortex-A53 1.4GHz Processor	—	Onboard DDR4 2GB	HDMI x 1 LVDS x 1	eMMC 16GB, MicroSD x 1	GbE x 2	USB 2.0 x 3	RS232(2-wire)/422/485 x 2 RS232/422/485 x 2"	Half Size Mini Card x 1 Full Size Mini Card x 1	+ 9 ~ 36 V (Lockable terminal block)	-40°C ~ 85°C	Line in / Line Out / Mic x 1	SPI x 1, I2C x 1, GPIO x 1, TPM x 1, CAN 2.0 FD x 2	Debian 12