

# L140AD-4L

## 14-inch Rugged Laptop with Intel® Core™ i5-1235U



### KEY FEATURES

- 12th Gen. Intel® Processor Family – Alder Lake Processor
- 14" 1920 x 1080 FHD LED panel
- Dual battery with hotswappable design for wholeday work
- Magnesium alloy enclosure with double injection for drop protection

CE FCC IC

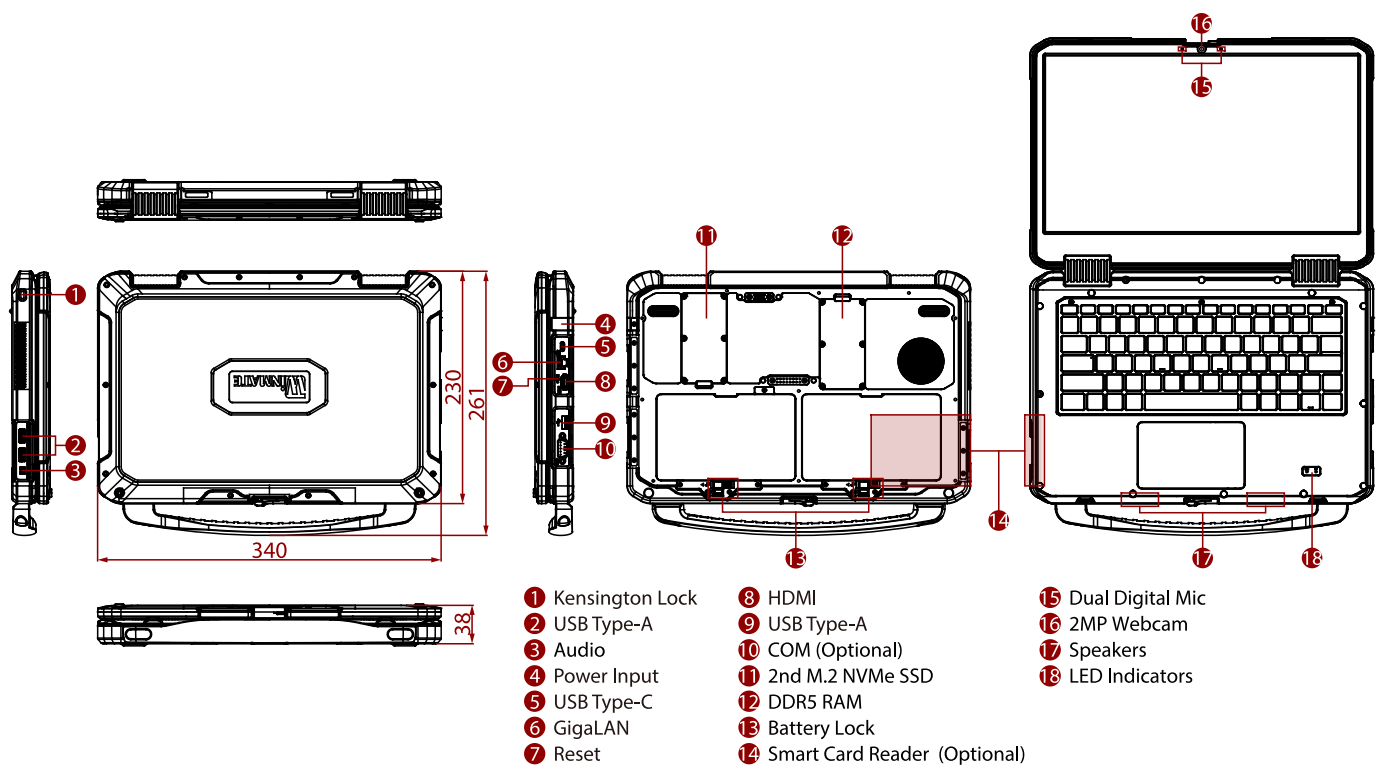


### SPECIFICATIONS

Display			
Resolution	1920x1080	Size	14.0 inches
Contrast Ratio	800:1	Panel Brightness	250.0 nits
View Angles	85,85,85,85		
System Specification			
Processor	Intel Core i5-1235U (up to 4.4GHz)	Memory	8GB DDR5 SDRAM 16GB DDR5 SDRAM (Optional) 32GB DDR5 SDRAM (Optional)
Storage	256GB M.2 NVMe SSD 512GB M.2 NVMe SSD (Optional) 1TB M.2 NVMe SSD (Optional) 2TB M.2 NVMe SSD (Optional) 2nd storage available with up to 2TB M.2 NVMe SSD (Optional)	Security	Trusted Platform Module (TPM) 2.0 Kensington Lock
Operating System	Windows 10 IoT Enterprise LTSC (64 bit) Windows 11 IoT Enterprise LTSC (64 bit) (Optional)	WLAN	Support
BT	Support	WWAN	4G LTE (Optional) 5G (Optional)
Smart Card Reader	Smart Card Reader (Mutually exclusive with 2nd LAN) (Optional)		
Camera			
Front Camera	2MP Front Camera		
Mechanical			
Dimension	340 x 230 x 38 mm	Weight	2.5 kg
Cooling System	Fan Design		
IO Ports			
USB Port	1 x USB 3.0 (Type C) 3 x USB 3.0 (Type A) (One USB-A is mutually exclusive with 2nd LAN)	SD Card Slot	1 x Micro SDXC Slot
SIM Card Slot	1 x Nano SIM card slot	Video	1 x HDMI 4K Output
Audio	1 x Audio combo 3.5mm audio combo jack Dual Digital Mic With Noise Cancellation Dual Speaker	LAN	1 x RJ45-10/100/1000 GigaLAN port Optional 2nd LAN (Mutually exclusive with one USB-A & Smart Card Reader)
Indicator	2x LED Indicator for Power, Battery		
Environment			

<b>Operating Humidity</b>	10% to 90% RH, non-condensing	<b>Operating Temperature</b>	-10°C to 50°C
<b>Storage Temperature</b>	-30°C to 70°C	<b>Shock</b>	MIL-STD-810H Method 516.8 Procedure I
<b>Vibration</b>	MIL-STD-810H Method 514.8 Procedure I	<b>IP rating</b>	IP65
<b>Drop</b>	MIL-STD-810H Method 516.8, 3 ft		
<b>Certification</b>			
<b>Certification</b>	CE, FCC		
<b>Security Function</b>			
<b>SOTI MobiControl</b>	SOTI MobiControl Compliance	<b>Kensington Lock</b>	Kensington Lock Support
<b>Control</b>			
<b>Button</b>	QWERTY keyboard with backlight		
<b>Power</b>			
<b>Battery</b>	Hot-swappable 2 x 11.55V, typ. 3220 mAh Li-Ion Battery (3S1P)	<b>Battery Operating Time</b>	Standard Battery: 11 hours
<b>Power Rating</b>	19V DC	<b>Adapter</b>	100-240V, 50-60Hz / 19V DC

**DIMENSIONS** UNIT:MM



**NOTE**

/ Disclaimer /

- Accessories and Integrated Options may vary depending on your configuration.
- Total usable memory and storage will be less dependent upon actual system configuration.
- The actual transfer speed will vary depending on many factors including the processing speed of the host device, file attributes, and other factors related to the system configuration and your operating environment.
- The USB Type-C connector follows USB 3.0 standard, which does not support Alternate Mode (ALT) or USB Power Delivery (USB-PD).
- The battery life is measured at dimming LCD brightness. Varies depending on the usage conditions, or when an external device is attached.
- The 2D drawing is simplified drawing and some components are not marked in detail.
- Length measurements do not include protrusions. Weight varies with options.
- TPM 2.0 available upon request.
- SOTI is available upon request.
- The product shown in this datasheet is a standard model. For diagrams that contain customized or optional I/O, please contact the Winmate Sales Team for more information.