

FM12E

12.1" Forklift Mounted Computers with Intel® Elkhart lake x6413E



KEY FEATURES

- Intel® Elkhart lake x6413E Processor, Windows forklift mounted computers
- 12.1" 1024 x 768 Panel with PCAP Touch
- Field replaceable front panel to reduce service costs
- IP65 waterproof and dustproof
- Wide range operating temperature



SPECIFICATIONS

| Display | | | |
|----------------------|---|-----------------------|--|
| Type | Projected Capacitive Multi Touch | Touch Mode | Support Hand, Stylus, Glove Mode |
| Resolution | 1024x768 | Size | 12.1 inches |
| Contrast Ratio | 1000:1 | Panel Brightness | 400 nits 800 nits(Optional) |
| View Angles | 89,89,89,89 | | |
| System Specification | | | |
| Processor | Intel Atom x6413E 1.5GHz (up to 3GHz) Intel Atom x6425E 2GHz (up to 3GHz) (Optional) | Memory | 1 x SO-DIMM, DDR4 3200 MHz, 4GB 8GB (Optional) |
| Storage | 1 x M.2 2242 SSD 128GB 256GB (Optional) | Security | TPM 2.0 |
| Operating System | Windows 10 IoT Enterprise LTSC (64 bit) Windows 11 IoT Enterprise LTSC (64 bit) (Optional) | WLAN | Support |
| BT | Support | WWAN | 4G/LTE (Optional) |
| GNSS | GPS/AGPS | Sensors | G-Sensor, Light Sensor ,Temp Sensor |
| Camera | | | |
| Front Camera | 2MP Camera | | |
| Environment | | | |
| Operating Humidity | 5% to 90% RH, Non-Condensing | Operating Temperature | -30°C to 60°C |
| Storage Temperature | -30°C to 60°C | Shock | MIL-STD-810H Method 516.8 Procedure I |
| Vibration | MIL-STD-810H Method 514.8 Procedure I | IP rating | IP65 |
| Impact | Support EN62262 IK07 Rating | ESD | Compliant with EN 61000-4-2, enhanced ESD to ±12kV direct & ±15kV air |
| Certification | | | |
| Certification | CE, FCC FCC (Electromagnetic Emissions), IC (ICES-003) UL60950-1, EN60950-1, PTCRB | | |
| Control | | | |
| Button | 1 x Power Button, 5 x Function Button (Programmable Function Key Configured by Winset) | | |
| IO Ports | | | |

| | | | |
|---------------------|---|--------------------------|--|
| USB Port | 1 x USB Type-C(Tablet) 1 x DB9 Connector for 2 x USB 2.0 Port(Docking) | Serial Port | 2 x COM Port(Docking) |
| SD Card Slot | 1 x Micro SD Card Slot(Tablet) | SIM Card Slot | 1 x Dual-Nano SIM Card Slot |
| Audio | 2 x Speaker(Docking) 1 x CANBus or 1 x Audio(Docking) | LAN | 1 x Gigabit LAN port(Docking) |
| Indicator | 4 x LED Indicator (WLAN, UPS battery, HDD, Heater) | Docking Connector | SMA Connector(female) for external antenna WLAN SMA Connector(female) for external antenna GPS (Optional) SMA Connector(female) for external antenna WWAN (Optional) |

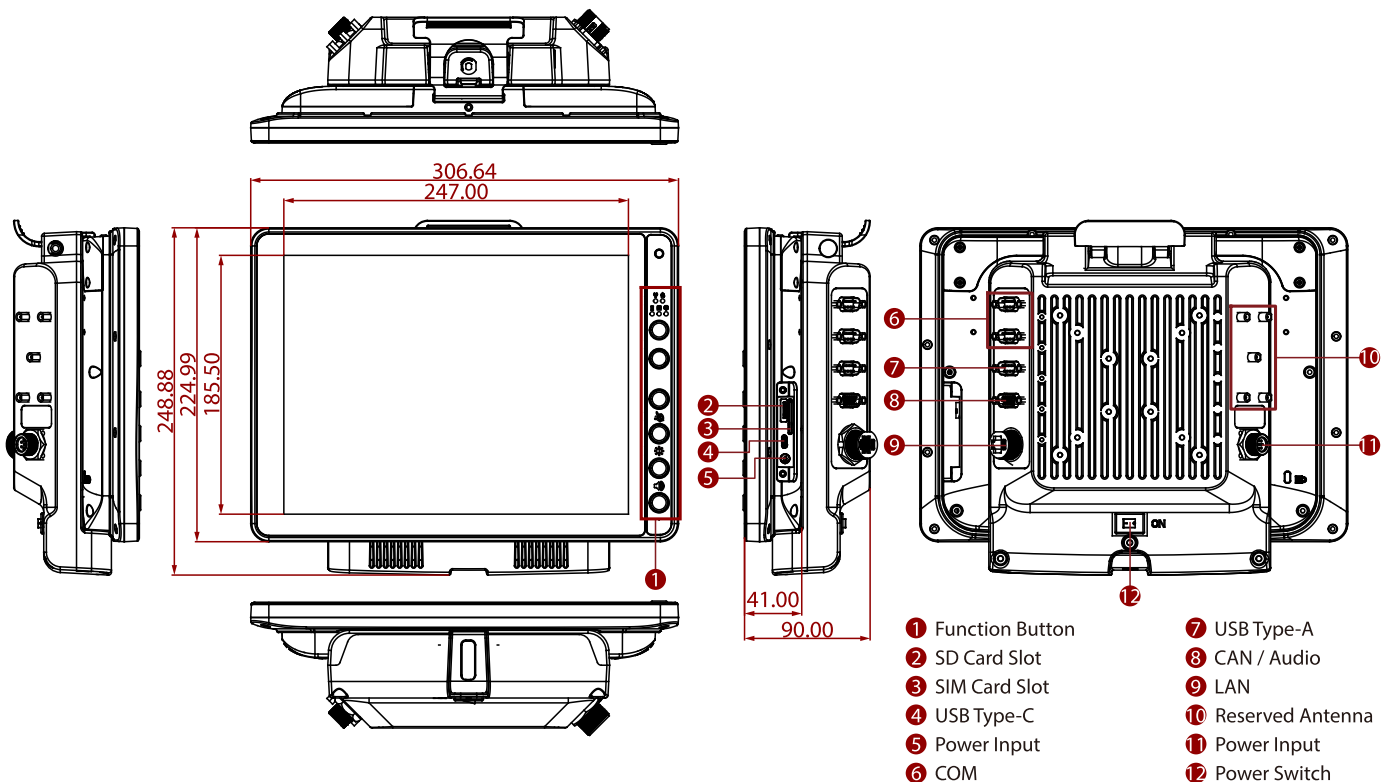
| | | | |
|------------------------|---|-----------------------|---------------------------------|
| Mechanical | | | |
| Dimension | Tablet: 307 x 225 x 41 mm Docking: 202 x 245 x 52 mm | Weight | Tablet 1.7 kg Docking 1.6 kg |
| Mounting | RAM mount/ VESA mount | Cooling System | Fanless Design |
| Docking Housing | Aluminum Alloy Housing | | |

| | | | |
|--------------------------|-----------------------------|--|--|
| Security Function | | | |
| SOTI MobiControl | SOTI MobiControl Compliance | | |

| | | | |
|------------------|--|---------------------------|---|
| Accessory | | | |
| Accessory | 5M Power Cable with Fuse Kit 0.3M USB Cable 0.15M Power Converter Cable DC Jack Power Cable 84W Adapter with power cable Cable Clamp Kit Wi-Fi Antenna x 2 Quick Start Guide External Antenna Fixing Bracket Dock + Latch Locking Key Stylus Kit + Screw | Optional Accessory | 1.8M RS232 Cable 0.3M Audio Cable 1.8M CAN BUS Cable 1.8M CAN BUS Open Wire Cable 2M IP65 LAN Cable GPS & LTE 2M Combo Antenna(VM240) GPS & LTE 5M Combo Antenna (VM9C) Magnetic Combo Antenna (VM10S) WWAN Antenna |

| | | | |
|--------------------|---|---------------------|---|
| Power | | | |
| Battery | 7.6V UPS Battery (2S1P) Minimum 30 minutes | Power Rating | Docking: 10V-60V with ignition control Tablet: 12V DC In |
| Consumption | 45W (Typical) | | |

DIMENSIONS UNIT:MM



NOTE

1. Total usable memory will be less dependent upon actual system configuration.
2. SOTI is available upon request.
3. Length measurements do not include protrusions. Weight varies with options.
4. Measured at dimming LCD brightness. Varies depending on the usage conditions, or when an external device is attached.
5. Accessories may vary depending on your configuration.
6. This is a simplified drawing and some components are not marked in detail.
7. The product shown in this datasheet is a standard model. For diagrams that contain customized or optional I/O, please contact the Winmate Sales Team for more information.
8. COM port can supply 5V power via the 9th pin.