

FM10AD-V

10.4" Vehicle Mount Terminal with Intel® Alder Lake Processor



KEY FEATURES

- 12th Gen. Intel® Processor Family – Alder Lake Processor
- 10.4" 1024 x 768 Panel with PCAP touch screen vehicle mount terminal
- IP65 waterproof and dustproof
- Wide power input 10-60V DC with ignition
- Wide range operating temperature
- Support VESA Mount

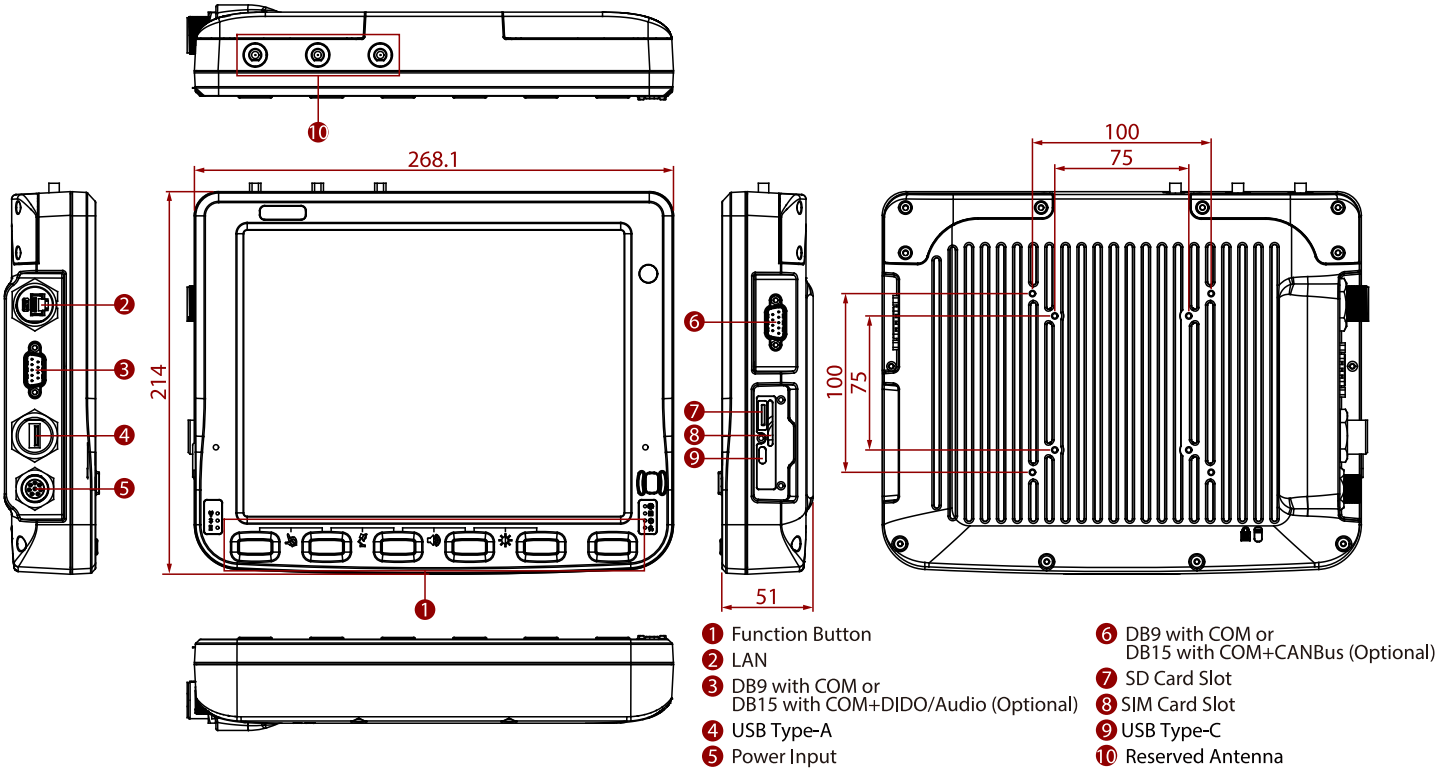


SPECIFICATIONS

Display			
Resolution	1024x768	Size	10.4 inches
Contrast Ratio	1200:1	Panel Brightness	400 nits 800 nits(Optional)
View Angles	88,88,88,88	Type	Projected Capacitive Multi Touch
Touch Mode	Support Hand, Stylus, Glove Mode		
System Specification			
Processor	Intel® Core™ i5-1235U 3.30 GHz (up to 4.40 GHz)	Memory	8GB DDR5 SDRAM, up to 32GB
Storage	128GB NVMe SSD 256GB NVMe SSD (Optional)	Security	TPM 2.0
Operating System	Windows 10 IoT Enterprise LTSC (64 bit) Windows 11 IoT Enterprise LTSC (64 bit) (Optional)	WLAN	Support
BT	Support	WWAN	LTE/5G Sub 6 (Optional)
GNSS	GPS/GLONASS (Optional)	Sensors	G-Sensor, Light Sensor ,Temp Sensor
Camera			
Front Camera	2MP Camera		
Mechanical			
Dimension	268 x 214 x 51 mm	Weight	2.4 kg
Mounting	VESA mount	Cooling System	Fanless Design
IO Ports			
USB Port	1 x USB 3.0 Type C 1 x USB 2.0 Port	Serial Port	2 x RS232/422/485 (Default RS232)
SD Card Slot	1 x Micro SD Card Slot	SIM Card Slot	1 x Dual-Nano SIM Card Slot
Audio	1 x Audio(Mic in & Line Out) either one with DIDO (Optional)	LAN	1 x Gigabit LAN port PSE (IEEE 802.3at 30W) (Optional)
Indicator	6 x LED Indicator	DIDO	1 x DIDO (2XDI ; 2XDO) either one with Audio (Optional)
CANBUS	1 x CANBus (Optional)		
Environment			
Operating Humidity	5% to 95% RH, Non-Condensing	Operating Temperature	-30°C to 60°C
Storage Temperature	-30°C to 60°C	Shock	MIL-STD-810H Method 516.8 Procedure I

Vibration	MIL-STD-810H Method 514.8 Procedure I	IP rating	IP65
Impact	Support EN62262 IK07 Rating	ESD	Compliant with EN 61000-4-2, Enhanced ESD to ±8kV Direct & ±15kV Air
Certification			
Certification	CE, FCC FCC (Electromagnetic Emissions), IC (ICES-003) UL60950-1, EN60950-1, PTCRB		
Control			
Button	1 x Power Button, 6 x Function Button (Programmable Function Key Configured by Winset)		
Power			
Power Rating	10V~60V with ignition control		
Security Function			
SOTI MobiControl	SOTI MobiControl Compliance		
Accessory			
Accessory	1.8M Power Cable with Fuse Kit 0.15M Power Converter Cable DC Jack Power Cable 150W Adapter with power cable Quick Start Guide	Optional Accessory	Stylus Kit + Screw 1.8M RS232 Cable 2M IP65 LAN Cable GPS & LTE 5M Combo Antenna (VM9C) GPS & LTE Magnetic Combo Antenna (VM10S) GPS Antenna WWAN Antenna 2M Waterproof USB Type-A to A Cable Cable Clamp Kit COM Port + CANBus Cable COM Port + DIDO Cable

DIMENSIONS UNIT:MM



NOTE

1. This is a simplified drawing and some components are not marked in detail.
2. Please contact our sales representative if you need further product information.
3. All specifications are subject to change without prior notice.
4. The product shown in this datasheet is a standard model. For diagrams that contain customized or optional I/O, please contact the Winmate Sales Team for more information.
5. COM port can supply 5V power via the 9th pin.