

FM07P

7inch Windows Forklift Computer with Intel® Celeron® N3350



KEY FEATURES

- Intel® Celeron N3350 (Apollo Lake) Processor, Windows forklift computer
- 7" 1024 x 600 panel with projected capacitive multi-touch screen
- Wide power input 9-36V DC with ignition optional isolation power solution
- WWAN, BT, WLAN and GPS for wireless connectivity
- Wide operating temperature range -20°C to 60°C
- Shock and vibration resistance according to MIL-STD-810G

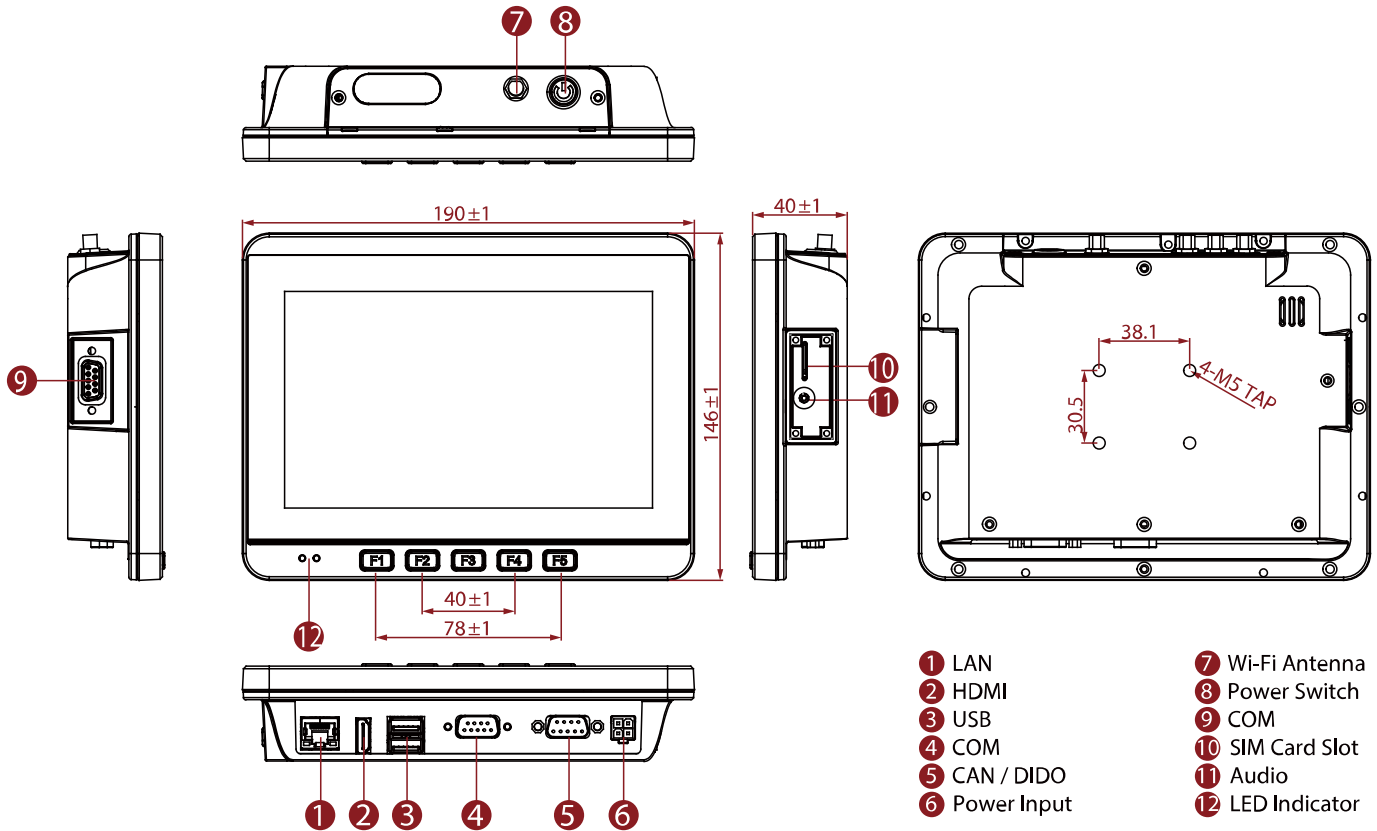


SPECIFICATIONS

Display			
Resolution	1024x600	Size	7.0 inches
Contrast Ratio	700:1	Panel Brightness	1000.0 nits
View Angles	75,75,75,70	Active Area	153.6x90 mm
Touch / Glass	Projected Capacitive Multi Touch Screen		
System Specification			
Processor	Intel Celeron N3350 1.1GHz (up to 2.4GHz) Intel Pentium N4200 1.1GHz (up to 2.5GHz) (Optional)	Memory	1 x SO-DIMM, DDR3L 1600 MHz, 4GB 8GB (Optional)
Storage	1 x M.2 2242 SSD 128GB	Ethernet controller	1 x Intel® Ethernet Controller
Security	TPM 2.0	Operating System	Windows 10 IoT Enterprise (64 bit) Linux Ubuntu 20.04 (Optional)
WLAN	Support	BT	Support
WWAN	4G/LTE (Optional)	GNSS	GPS, GLONASS
Environment			
Operating Humidity	10% to 95% RH	Operating Temperature	-20°C~60°C
Storage Temperature	-20°C~60°C	Shock	MIL-STD-810G Method 516.6 Procedure I
Vibration	MIL-STD-810G Method 514.6 Procedure I	IP rating	Front IP65
Certification			
Certification	CE, FCC		
IO Ports			
USB Port	2 x USB	Serial Port	2 x COM Port
SIM Card Slot	1 x SIM Card Slot	Audio	1x Speaker
LAN	1 x Gigabit Ethernet LAN 10/100/100 Mbps	Front Control	5 x Function Key
Indicator	Power, HD	DIDO	1 x DIDO (3XDI ; 3XDO)
CANBUS	2 x CANBUS		
Control			
Button	1 x Power Button, 5x Function Button (Programmable Function Key Configured by Winset)		

Mechanical			
Dimension	189.93 x 145.93 x 39.8 mm	Weight	1.2kg
Mounting	RAM Mount/ VESA Mount	Cooling System	Fanless Design
Accessory			
Accessory	User Guide CANBus and DIDO Cable, 1.8m WLAN Antenna Power Converter Cable Power Adapter	Optional Accessory	WWAN Antenna x 2 (Optional) GPS Antenna (Optional)
Power			
Power Rating	9V-36V, with ignition control	Consumption	Max: 35W

DIMENSIONS UNIT:MM



NOTE

1. Total usable memory will be less dependent upon actual system configuration.
2. Length measurements do not include protrusions. Weight varies with options.
3. Accessories may vary depending on your configuration.
4. The product shown in this datasheet is a standard model. For diagrams that contain customized or optional I/O, please contact the Winmate Sales Team for more information.
5. COM port can supply 5V power via the 9th pin.