

# S101TG

## 10.1" Windows Rugged Tablet with Intel® Core™ i5-1135G7



### KEY FEATURES

- Windows rugged tablet with 11th generation Intel® Tiger Lake processor
- 1920 x 1200 WUXGA with PCAP touch
- Sunlight readable with anti-glare solution
- IP65 water and dust proof with MIL-STD-810H rugged housing
- 2MP Webcam , 8MP Auto-Focus Rear Camera
- Removable battery with hot-swap function for all day productivity
- Ethernet thru Giga LAN (RJ45)
- Optional 1D/2D Barcode Reader

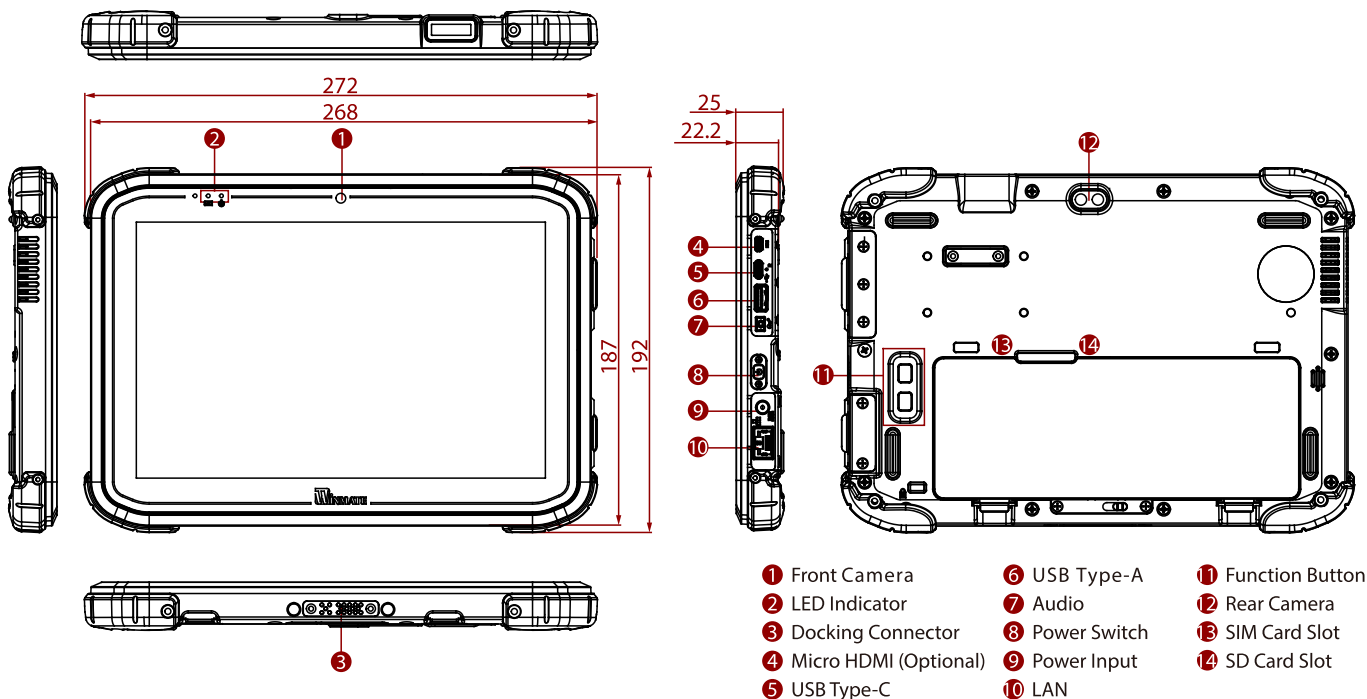


### SPECIFICATIONS

Display	
<b>Resolution</b>	1920x1200
<b>Contrast Ratio</b>	800:1
<b>View Angles</b>	85,85,85,85
<b>Type</b>	Projected Capacitive Multi Touch
<b>Touch Mode</b>	Support Hand / Gloves and Rain Mode
<b>Size</b>	10.1 inches
<b>Panel Brightness</b>	800.0 nits
<b>Bonding</b>	Optical Bonding for Sunlight Viewability
<b>Viewability</b>	Anti-Glare touch treatment
System Specification	
<b>Processor</b>	Intel Core i5-1135G7 2.4GHz (up to 4.2GHz)
<b>Memory</b>	4GB DDR4 SDRAM 8GB DDR4 SDRAM (Optional) 16GB DDR4 SDRAM (Optional) 32GB DDR4 SDRAM (Optional)
<b>Storage</b>	128GB SSD Additional storage available with micro SDXC card slot 256GB SSD (Optional) 512GB SSD (Optional) 1TB SSD (Optional) 2TB SSD (Optional)
<b>Security</b>	Trusted Platform Module (TPM) 2.0 Kensington Lock
<b>Operating System</b>	Windows 10 IoT Enterprise LTSC (64 bit) Windows 11 IoT Enterprise LTSC (64 bit) (Optional)
<b>WLAN</b>	Support
<b>BT</b>	Support
<b>WWAN</b>	4G LTE (Optional) 5G (Optional)
<b>GNSS</b>	GPS, GLONASS
<b>Sensors</b>	Light sensor/ G-sensor / Gyro
Camera	
<b>Front Camera</b>	2MP Front Camera
<b>Rear Camera</b>	8MP Rear Camera with auto-focus and LED light
Mechanical	
<b>Dimension</b>	272 x 192 x 25 mm
<b>Weight</b>	1.1 kg
<b>Cooling System</b>	Fan design
IO Ports	
<b>USB Port</b>	1 x USB 3.0 (Type A), 1 x USB 3.0 (Type C)
<b>SD Card Slot</b>	1 x Micro SDXC slot
<b>SIM Card Slot</b>	1 x Nano SIM card slot
<b>Video</b>	1 x Micro HDMI (Optional)
<b>Audio</b>	1 x Audio combo 3.5mm audio combo jack (Mic in or Line Out)
<b>Expansion Port</b>	1 x Expansion Connector for USB3.0 / UART (Optional)

	Dual Mic Built-in Microphone Single Speaker		
<b>LAN</b>	1 x RJ45-10/100/1000 GigaLAN port	<b>Indicator</b>	2x LED Indicator for Power, Battery
<b>Docking Connector</b>	1 x 19-pin docking connector		
<b>Environment</b>			
<b>Operating Humidity</b>	10% to 90% RH, non-condensing	<b>Operating Temperature</b>	-20°C to 60°C
<b>Storage Temperature</b>	-30°C to 70°C (-22°F to 158°F)	<b>Shock</b>	MIL-STD-810H Method 516.8 Procedure I
<b>Vibration</b>	MIL-STD-810H Method 514.8 Procedure I	<b>IP rating</b>	IP65
<b>Drop</b>	MIL-STD-810H Method 516.8, 4 ft		
<b>Certification</b>			
<b>Certification</b>	CE, FCC		
<b>Security Function</b>			
<b>SOTI MobiControl</b>	SOTI MobiControl Compliance	<b>Kensington Lock</b>	Kensington Lock Support
<b>Control</b>			
<b>Button</b>	1 x Power 2 x Programmable function Keys		
<b>Power</b>			
<b>Battery</b>	11.4V, typ. 3500 mAh Li-Ion Re-chargeable Battery (3S1P) Hot-Swap (Optional)	<b>Battery Operating Time</b>	Standard. Battery: 6 hours
<b>Power Rating</b>	19V DC	<b>Adapter</b>	100-240V, 50-60Hz / 19V DC
<b>Accessory</b>			
<b>Accessory</b>	Adapter and Power Cord Standard Battery	<b>Optional Accessory</b>	Vehicle Charger (Optional) Vehicle Dock (Optional) Desk Dock (Optional) Battery Charger (Optional) Hand Strap (Optional) Shoulder Strap (Optional) Carry Bag (Optional) Stylus (Optional)
<b>Barcode Scanner</b>			
<b>Barcode Scanner</b>	1D/2D barcode reader (Optional)		

**DIMENSIONS** UNIT:MM



**NOTE**

- 1. This is a simplified drawing and some components are not marked in detail.
- 2. Please contact our sales representative if you need further product information.
- 3. All specifications are subject to change without prior notice.
- 4. The product shown in this datasheet is a standard model. For diagrams that contain customized or optional I/O, please contact the Winmate Sales Team for more information.