

R10IWK8M-RTT2GP

10.4" Rugged Field Tablets with Intel® Core™ i5-8265U



KEY FEATURES

- 8th Gen. Intel® Core™ i5-8265U 1.6 GHz (turbo up to 3.9GHz) rugged field tablets
- 10.4" 1024 x 768 Resolution Transflective TFT-LCD Panel
- Plastic front cover and Alu-Mg Alloy rear cover with Protective Rubber
- Trusted platform module (TPM) V2.0
- Built-in Wireless / BT / GPS
- Optional 4G LTE mobile computers
- Adjustable Kickstand that is convertible to a handle (Optional)



SPECIFICATIONS

Display	
Resolution	1024x768
Contrast Ratio	1000:1
View Angles	88,88,88,88
Size	10.4 inches
Panel Brightness	700.0 nits
Touch / Glass	Resistive Touch Screen (Optional) Protection Glass Without Touch Function (Optional)
System Specification	
Processor	Intel Core i5-8265U 1.6GHz (up to 3.9GHz)
Memory	1 x SO-DIMM, DDR4 2400 MHz, 4GB 8GB (Optional) 16GB (Optional) 32GB (Optional)
Storage	1 x M.2 2242 SSD 128GB M.2 2242 SSD up to 512GB (Optional) M.2 2280 NVME SSD, up to 2TB (Optional)
Ethernet controller	2 x Intel® Ethernet Controller
Security	TPM 2.0
Operating System	Windows 10 IoT Enterprise (64 bit) (Optional) Linux Ubuntu 20.04 (Optional)
WLAN	Wi-Fi Support
BT	BT Support
WWAN	4G/ LTE or 3G (Optional)
GNSS	Supports GPS GLONASS, Galileo, BeiDou) (Optional)
Mechanical	
Dimension	266 x 224 x 50.4 mm
Weight	2.4 kg
Mounting	VESA Mount
Enclosure	Magnesium Alloy & ABS+PC
Cooling System	Fanless design
Environment	
Operating Humidity	10% to 90% RH, Non-Condensing
Operating Temperature	-10°C to 50°C (14°F to 122°F) (Battery mode) -20°C to 60°C (4°F to 158°F) (AC mode)"
Storage Temperature	-20°C to 60°C
Shock	MIL-STD-810G Method 516.6 Procedure I
Vibration	MIL-STD-810G Method 514.6 Procedure I
IP rating	IP54
Drop	MIL-STD-810G Method 516.6 Procedure IV
Certification	
Certification	CE, FCC
IO Ports	

USB Port	2 x USB3.2 Gen1x1 (Type-A)	Serial Port	1 x RS232/422/485 (Default RS232)
SD Card Slot	1 x Micro SD card Slot	SIM Card Slot	1 x Micro SIM card Slot
Audio	1 x Audio Combo Connector (Mic in / Line Out) 2 x Speaker	LAN	1 x Giga LAN RJ45 Connector
Indicator	1 x LED Indicator for power 1 x LED Indicator for HDD 1 x LED Indicator for Battery status 1 x LED Indicator for Wifi		

Accessory	
Accessory	100~240V AC to 19V DC 65W Adapter Power Cord 11.1V / 5200mAh Battery Quick Start Guide Stylus
Optional Accessory	Adjustable Kickstand (Optional) Multi-functional Desktop Docking station (Optional) Vehicle Mounting Charger Kit (Optional) Car Power Charger (Optional) Hand Strap (Optional) Shoulder Strap (Optional) Soft Shell Case (Optional) Carry Bag (Optional)

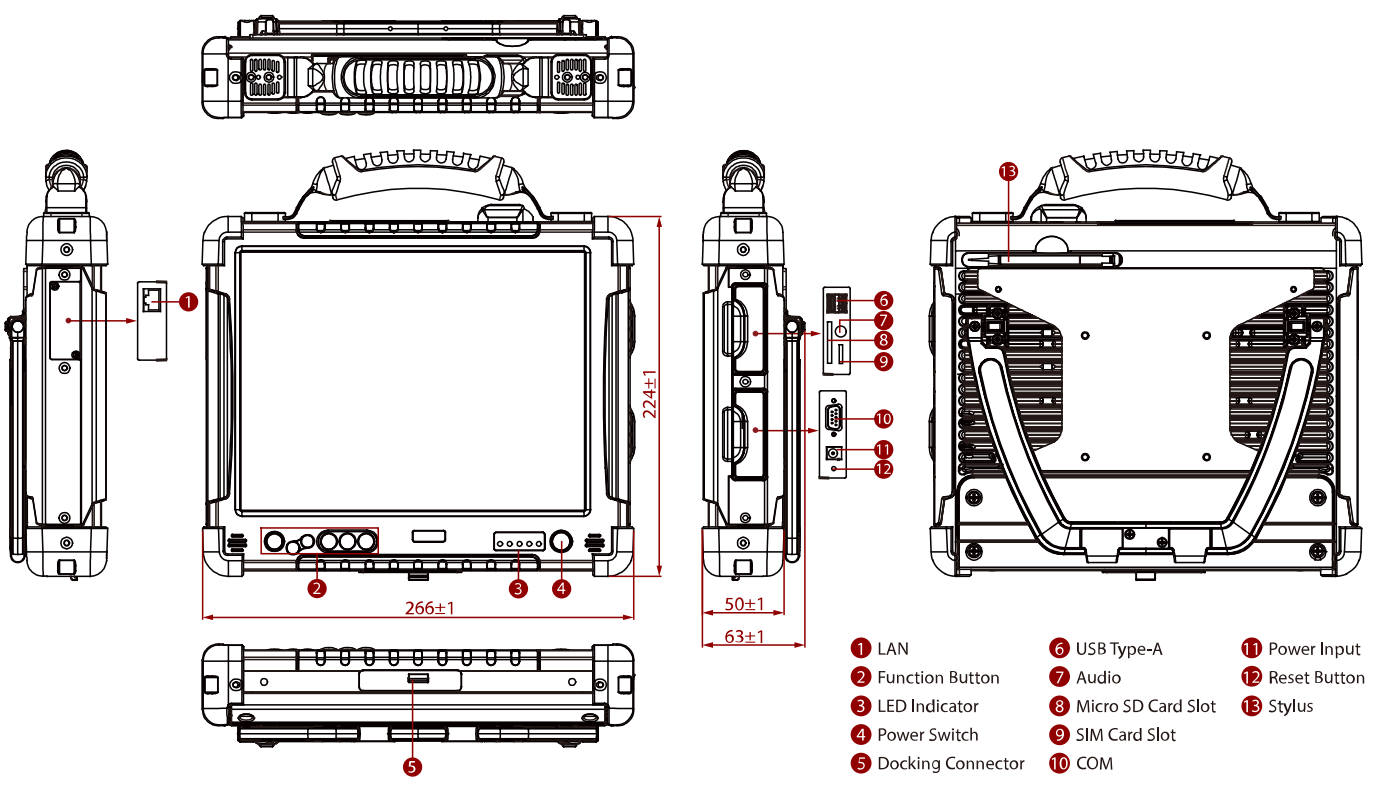
Barcode Scanner

Barcode Scanner	2D Barcode Reader (Optional)
------------------------	------------------------------

Camera

Front Camera	2MP Camera (Optional)	Rear Camera	5MP Autofocus Camera (Optional)
---------------------	-----------------------	--------------------	---------------------------------

DIMENSIONS UNIT:MM



NOTE

1. Measured at dimming LCD brightness. Varies depending on the usage conditions, or when an external device is attached.
2. This is a simplified drawing and some components are not marked in detail.
3. The product shown in this datasheet is a standard model. For diagrams that contain customized or optional I/O, please contact the Winmate Sales Team for more information.