

R10IP8M-RTT2GP

10.4inch Waterproof Tablet with Intel® Pentium® N4200



KEY FEATURES

- Intel® Pentium® N4200 Apollo Lake processor waterproof tablet
- 10.4" 1024 x 768 Resolution Transflective TFT-LCD Panel
- Plastic front cover and Alu-Mg Alloy rear cover with Protective Rubber
- Trusted platform module (TPM) V2.0
- Built-in Wireless / BT / GPS
- Optional 4G LTE
- Adjustable kickstand handle (Optional)



SPECIFICATIONS

Display			
Resolution	1024x768	Size	10.4 inches
Contrast Ratio	1000:1	Panel Brightness	700.0 nits
View Angles	88,88,88,88	Touch / Glass	Resistive Touch Screen (Optional) Protection Glass Without Touch Function (Optional)
System Specification			
Processor	Intel Pentium N4200 1.1GHz (up to 2.5GHz)	Memory	1 x SO-DIMM, DDR3L 1600 MHz, 4GB 8GB (Optional)
Storage	1 x M.2 2242 SSD 128GB M.2 2242 SSD up to 512GB (Optional)	Ethernet controller	2 x Intel® Ethernet Controller
Security	TPM 2.0	Operating System	Windows 10 IoT Enterprise (Optional) Linux Ubuntu 20.04 (Optional)
WLAN	Wi-Fi Support	BT	BT Support
WWAN	4G/ LTE or 3G (Optional)	GNSS	Supports GPS GLONASS, Galileo, BeiDou) (Optional)
Mechanical			
Dimension	266 x 224 x 50.4 mm	Weight	2.4 kg
Mounting	VESA Mount	Enclosure	Magnesium Alloy & ABS+PC
Cooling System	Fanless design		
Environment			
Operating Humidity	10% to 90% RH, Non-Condensing	Operating Temperature	-10°C to 50°C (14°F to 122°F) (Battery mode) -20°C to 60°C (4°F to 158°F) (AC mode)"
Storage Temperature	-20°C to 60°C	Shock	MIL-STD-810G Method 516.6 Procedure I
Vibration	MIL-STD-810G Method 514.6 Procedure I	IP rating	IP54
Drop	MIL-STD-810G Method 516.6 Procedure IV		
Certification			
Certification	CE, FCC		
IO Ports			
USB Port	2 x USB3.2 Gen1x1 (Type-A)	Serial Port	1 x RS232/422/485 (Default RS232)
SD Card Slot	1 x Micro SD card Slot	SIM Card Slot	1 x Micro SIM card Slot
Audio	1 x Audio Combo Connector (Mic in / Line Out)	LAN	1 x Giga LAN RJ45 Connector

2 x Speaker

1 x LED Indicator for power
1 x LED Indicator for HDD
1 x LED Indicator for Battery status
1 x LED Indicator for Wifi

Accessory

Accessory 100~240V AC to 19V DC 65W Adapter
Power Cord
11.1V / 5200mAh Battery
Quick Start Guide
Stylus

Optional Accessory Adjustable Kickstand (Optional)
Multi-functional Desktop Docking station (Optional)
Vehicle Mounting Charger Kit (Optional)
Car Power Charger (Optional)
Hand Strap (Optional)
Shoulder Strap (Optional)
Soft Shell Case (Optional)
Carry Bag (Optional)

Barcode Scanner

Barcode Scanner 2D Barcode Reader (Optional)

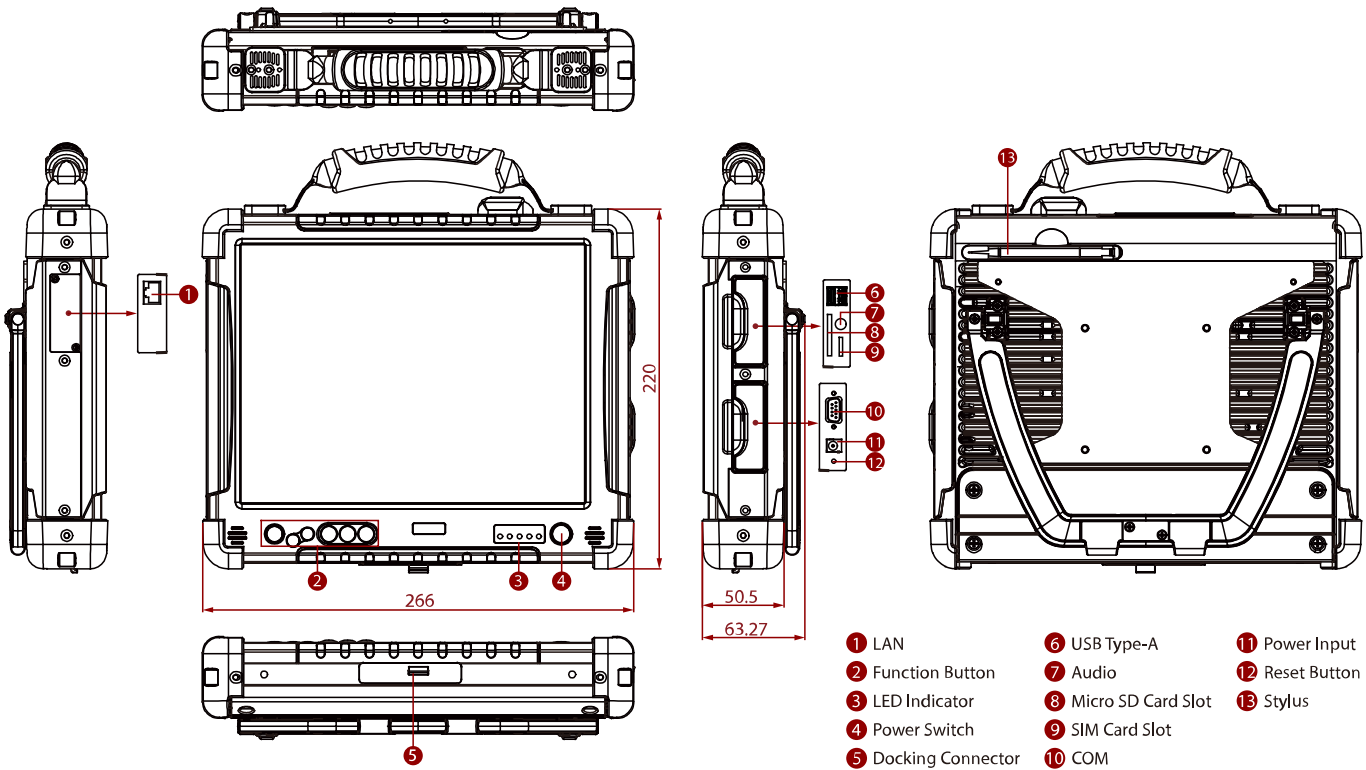
Camera

Front Camera 2MP Camera (Optional)

Rear Camera

5MP Autofocus Camera (Optional)

DIMENSIONS UNIT:MM



NOTE

1. Measured at dimming LCD brightness. Varies depending on the usage conditions, or when an external device is attached.
2. This is a simplified drawing and some components are not marked in detail.
3. The product shown in this datasheet is a standard model. For diagrams that contain customized or optional I/O, please contact the Winmate Sales Team for more information.