

# M900EKN

## 8" Windows Rugged Tablet with Intel® Celeron® N6211



### KEY FEATURES

- Intel Celeron N6211 Elkart Lake Processor rugged tablet PC
- 8" 1280x 800 IPS LED panel with direct optical bonding
- Integrated GigaLAN Port
- USB 3.0 type A, USB 3.0 type C connectors
- Sunlight readable with antiglare solution
- Projected capacitive (PCAP) multitouch
- IP65 waterproof and dustproof

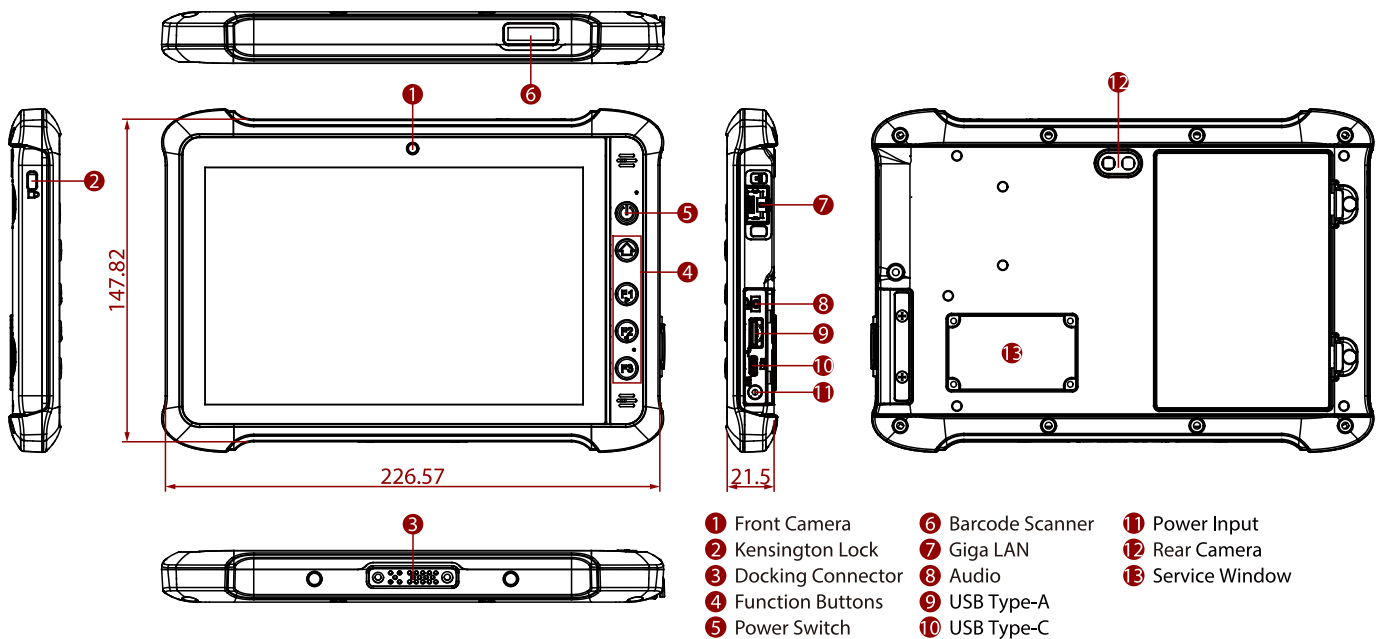


### SPECIFICATIONS

Display	
Type	Projected Capacitive Multi Touch
Resolution	1280x800
Contrast Ratio	1500:1
View Angles	80,80,80,80
Bonding	Optical Bonding for Sunlight Viewability
Size	8.0 inches
Panel Brightness	800.0 nits
System Specification	
Processor	Intel Celeron N6211 1.2 GHz (turbo boost up to 2.60 GHz) Intel Pentium N6415 1.2 GHz (turbo boost up to 3.00 GHz) (Optional)
Memory	4GB LPDDR4 8GB LPDDR4 (Optional)
Storage	128GB SSD Additional storage available with micro SDXC card slot 256GB SSD (Optional) 512GB SSD (Optional)
Security	Trusted Platform Module (TPM) 2.0
Operating System	Windows 10 IoT Enterprise LTSC (64 bit) Windows 11 IoT Enterprise LTSC (64 bit) (Optional)
WLAN	Support
BT	Support
WWAN	4G LTE (Optional) 5G (Optional)
GNSS	GPS, GLONASS
RFID	Mutually Exclusive with Barcode Reader HF RFID Reader 13.56 MHz (Optional) LF RFID Reader 125 KHz (Optional)
Sensors	Light sensor/ G-sensor / Gyro
Smart Card Reader	Smart Card Reader Comply with ISO7816-1.2.3 T=1 and T=Ø protocol (Optional)
Camera	
Front Camera	2MP Front Camera
Rear Camera	8MP Rear Camera with Autofocus and LED Light
Mechanical	
Dimension	225 x 148 x 20.5 mm ( 10 x 7.76 x 0.8 inches)
Weight	0.9 kg with battery
Cooling System	Fanless design
IO Ports	
USB Port	1 x USB 3.0 (Type A), 1 x USB 3.0 (Type C)
SD Card Slot	1 x Micro SDXC Slot
SIM Card Slot	1 x Micro SIM card slot
Audio	1 x Audio combo 3.5mm audio combo jack Dual Digital Mic With Noise Cancellation Dual Speaker

<b>LAN</b>	1 x RJ45-10/100/1000 GigaLAN port	<b>Indicator</b>	4x LED Indicator for Power, Battery, HDD, RF status
<b>Docking Connector</b>	1 x 19-pin docking connector		
<b>Environment</b>			
<b>Operating Humidity</b>	10% to 90% RH, non-condensing	<b>Operating Temperature</b>	-20°C to 60°C
<b>Storage Temperature</b>	-30°C to 70°C (-22°F to 158°F)	<b>Shock</b>	MIL-STD-810H Method 516.8 Procedure I
<b>Vibration</b>	MIL-STD-810H Method 514.8 Procedure I	<b>IP rating</b>	IP65
<b>Drop</b>	MIL-STD-810H Method 516.8, 5 ft		
<b>Certification</b>			
<b>Certification</b>	CE, FCC		
<b>Security Function</b>			
<b>SOTI MobiControl</b>	SOTI MobiControl Compliance		
<b>Control</b>			
<b>Button</b>	1 x Power, 1 x menu, 3 x Programmable Function Keys		
<b>Power</b>			
<b>Battery</b>	7.6V, typ. 4200 mAh Li Polymer Battery (2S2P)	<b>Battery Operating Time</b>	Standard. Battery: 6 hours
<b>Power Rating</b>	19V DC	<b>Adapter</b>	100-240V, 50-60Hz / 19V DC
<b>Accessory</b>			
<b>Accessory</b>	Adapter and Power Cord Standard Battery Pack	<b>Optional Accessory</b>	Desk Dock (Optional) Vehicle Dock (Optional) USB-A Cable (Optional) Battery Charger (Optional) Vehicle Charger (Optional) Hand Strap (Optional) Vehicle Cradle (Optional) LAN Cable (Optional) Capacitive Stylus (Optional)
<b>Barcode Scanner</b>			
<b>Barcode Scanner</b>	1D/2D barcode reader (Optional)		

## DIMENSIONS UNIT:MM



**NOTE**

- 1.This is a simplified drawing and some components are not marked in detail.
- 2.Please contact our sales representative if you need further product information.
- 3.All specifications are subject to change without prior notice.
- 4.The product shown in this datasheet is a standard model.For diagrams that contain customized or optional I/ O, please contact the Winmate Sales Team for more information.