

M900EK

8" Windows Rugged Tablet with Intel® Celeron® N6211



KEY FEATURES

- Intel Celeron N6211 Elkart Lake Processor rugged tablet PC
- 8" 1280x 800 IPS LED panel with direct optical bonding
- Optional expansion port DB15 connector
- Sunlight readable with antiglare solution
- Projected capacitive (PCAP) multitouch
- USB 3.0 type A, USB 3.0 type C connectors
- IP65 waterproof and dustproof



SPECIFICATIONS

Display	
Type	Projected Capacitive Multi Touch
Resolution	1280x800
Contrast Ratio	1500:1
View Angles	80,80,80,80
Bonding	Optical Bonding for Sunlight Viewability
Size	8.0 inches
Panel Brightness	800.0 nits
System Specification	
Processor	Intel Celeron N6211 1.2 GHz (turbo boost up to 2.60 GHz) Intel Pentium N6415 1.2 GHz (turbo boost up to 3.00 GHz) (Optional)
Memory	4GB LPDDR4 8GB LPDDR4 (Optional)
Storage	128GB SSD Additional storage available with micro SDXC card slot 256GB SSD (Optional) 512GB SSD (Optional)
Security	Trusted Platform Module (TPM) 2.0
Operating System	Windows 10 IoT Enterprise LTSC (64 bit) Windows 11 IoT Enterprise LTSC (64 bit) (Optional)
WLAN	Support
BT	Support
WWAN	4G LTE (Optional) 5G (Optional)
GNSS	GPS, GLONASS
RFID	Mutually Exclusive with Barcode Reader HF RFID Reader 13.56 MHz (Optional) LF RFID Reader 125 KHz (Optional)
Sensors	Light sensor/ G-sensor / Gyro
Smart Card Reader	Smart Card Reader Comply with ISO7816-1.2.3 T=1 and T=Ø protocol (Optional)
Camera	
Front Camera	2MP Front Camera
Rear Camera	8MP Rear Camera with Autofocus and LED Light
Mechanical	
Dimension	225 x 148 x 20.5 mm (10 x 7.76 x 0.8 inches)
Weight	0.9 kg with battery
Cooling System	Fanless design
IO Ports	
USB Port	1 x USB 3.0 (Type A), 1 x USB 3.0 (Type C)
SD Card Slot	1 x Micro SDXC Slot
SIM Card Slot	1 x Micro SIM card slot
Audio	1 x Audio combo 3.5mm audio combo jack Dual Digital Mic With Noise Cancellation Dual Speaker

Expansion Port	1 x 15pin D-sub connector	Indicator	4x LED Indicator for Power, Battery, HDD, RF status
Docking Connector	1 x 19-pin docking connector		

Environment

Operating Humidity	10% to 90% RH, non-condensing	Operating Temperature	-20°C to 60°C
Storage Temperature	-30°C to 70°C (-22°F to 158°F)	Shock	MIL-STD-810H Method 516.8 Procedure I
Vibration	MIL-STD-810H Method 514.8 Procedure I	IP rating	IP65
Drop	MIL-STD-810H Method 516.8, 5 ft		

Certification

Certification	CE, FCC
----------------------	---------

Security Function

SOTI MobiControl	SOTI MobiControl Compliance
-------------------------	-----------------------------

Control

Button	1 x Power, 1 x menu, 3 x Programmable Function Keys
---------------	--

Power

Battery	7.6V, typ. 4200 mAh Li Polymer Battery (2S2P)	Battery Operating Time	Standard. Battery: 6 hours
Power Rating	19V DC	Adapter	100-240V, 50-60Hz / 19V DC

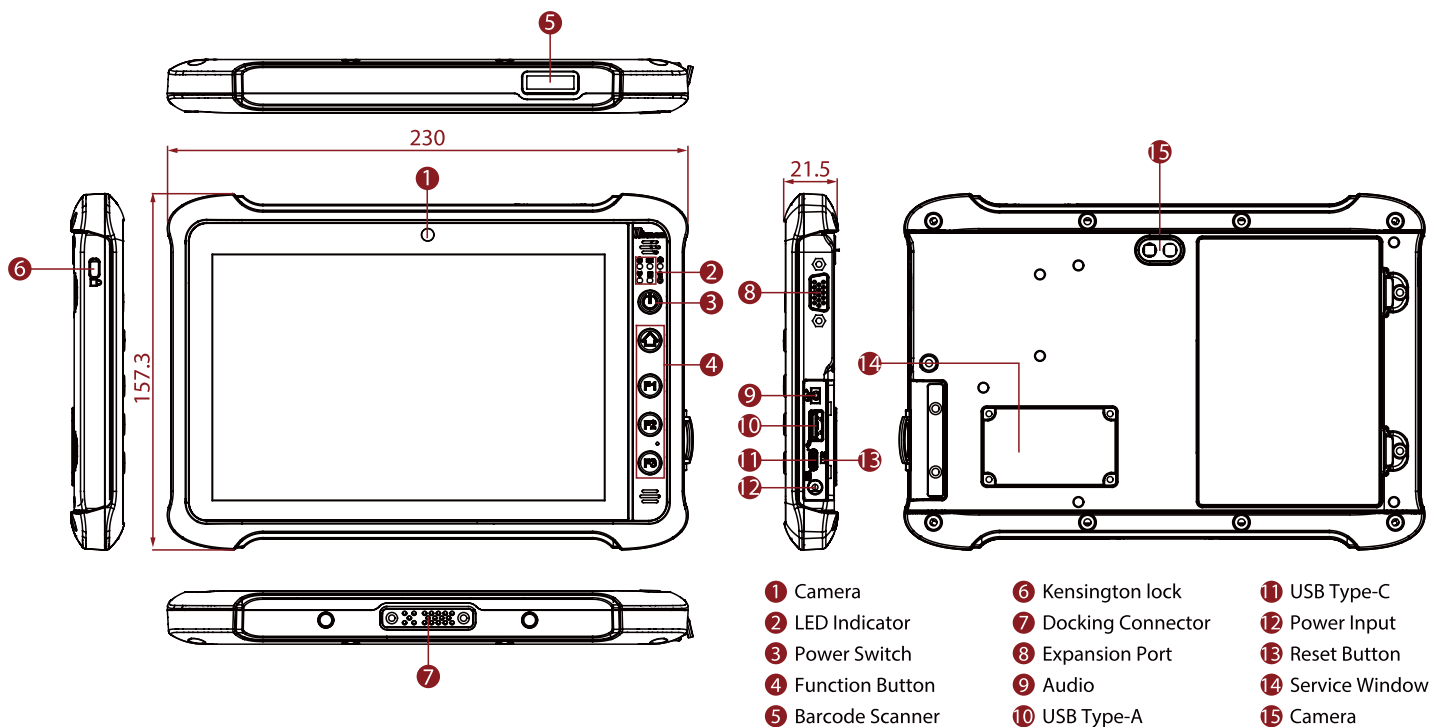
Accessory

Accessory	Adapter and Power Cord Standard Battery Pack	Optional Accessory	Desk Dock (Optional) Vehicle Dock (Optional) USB-A Cable (Optional) Battery Charger (Optional) Vehicle Charger (Optional) Hand Strap (Optional) Vehicle Cradle (Optional) LAN Cable (Optional) Capacitive Stylus (Optional)
------------------	---	---------------------------	---

Barcode Scanner

Barcode Scanner	1D/2D barcode reader (Optional)
------------------------	---------------------------------

DIMENSIONS UNIT:MM



NOTE

- 1.This is a simplified drawing and some components are not marked in detail.
- 2.Please contact our sales representative if you need further product information.
- 3.All specifications are subject to change without prior notice.
- 4.The product shown in this datasheet is a standard model.For diagrams that contain customized or optional I/ O, please contact the Winmate Sales Team for more information.