

M700DQ8

7 inch Qualcomm® Snapdragon™ 660, Sunlight Readable Android Tablet



KEY FEATURES

- Qualcomm® Snapdragon™ 660, Octa-core up to 2.2 GHz
- 7 inch android tablet, 1280 x 720 TFT Panel with direct optical bonding
- Supports Android 9.0 OS, Sunlight readable android tablet
- IP65 waterproof and dustproof
- Rated for extreme temperature use

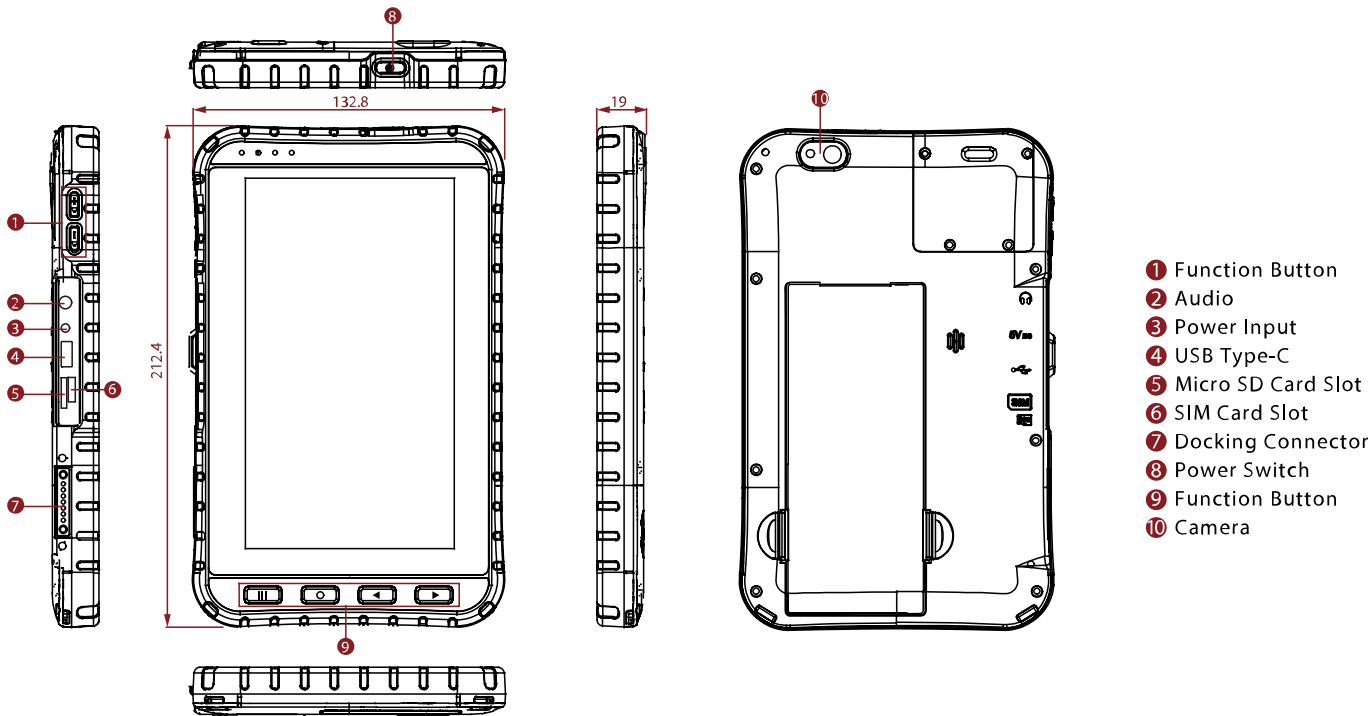


SPECIFICATIONS

Display	
Resolution	1280x720
Contrast Ratio	800:1
View Angles	80,80,80,80
Touch Mode	Support Hand / Gloves and Rain Mode
Size	7.0 inches
Panel Brightness	650 nits
Type	Projected Capacitive Multi Touch
Bonding	Optical Bonding for Sunlight Viewability
System Specification	
Processor	Qualcomm® Snapdragon™ 660 (Octa-Core 2.2 GHz)
Storage	32GB
WLAN	Support
WWAN	4G/LTE (Optional)
RFID	NFC (Read / Write, Peer to Peer mode) (Optional)
Memory	3GB
Operating System	Android 9.0
BT	Support
GNSS	GPS/GLONASS
Sensors	Ambient Light Sensor, E-Compass, Gyro, Acceleration Sensors
Camera	
Front Camera	8MP Camera
Rear Camera	13MP Camera with LED Auxiliary Light (Auto Focus)
Mechanical	
Dimension	212.4 x 132.8 x 19 mm
Weight	550g
IO Ports	
USB Port	1 x USB 3.0 Type C OTG
SIM Card Slot	1 x Micro SIM Card Slot
SD Card Slot	1 x Micro SD Card Slot
Audio	1 x Audio Combo connector (Mic in and Line Out) 2 x Built-in Mic 1 x Speaker 1 x Earphone
Indicator	2 x LED Indicators (Power, Battery)
Docking Connector	1 x Docking Connector
Environment	
Operating Humidity	5% to 95% RH, Non-Condensing
Storage Temperature	-30°C to 70°C
Vibration	MIL-STD-810H Method 514.8 Procedure I
Drop	MIL-STD-810H Method 516.8, 5 ft
Operating Temperature	-10°C to 50°C (Battery mode) -20°C to 60°C (Charging mode) Please avoid charging in hazardous locations.
Shock	MIL-STD-810H Method 516.8 Procedure I
IP rating	IP65

Certification			
Certification	CE, FCC, AT&T, FirstNet, RCM		
Control			
Button	1 x Volume + , 1 x Volume - , 1 x Power Button, 1 x Home Button, 1 x Menu Button, 1 x Return Button, 1 x Trigger Button		
Power			
Battery	3.7V 5300mAh	Battery Operating Time	20Hr
Power Rating	DC 5V	Adapter	Input: 100V-240V AC Output: DC 5V 3A
Security Function			
SOTI MobiControl	SOTI MobiControl Compliance		
Accessory			
Accessory	Universal Adapter x1 Battery x1 USB Type-C Cable x1	Optional Accessory	Battery Charging Dock Vehicle Dock (Charging + Connectors) Vehicle Dock (Charging Only) Desk Dock Hand Strap Micro SD Card Capacitive Touch Stylus Vehicle Adapter HDMI Adapter
Barcode Scanner			
Barcode Scanner	1D/2D Barcode Reader (Optional)		

DIMENSIONS UNIT:MM



NOTE

1. Total usable memory will be less dependent upon actual system configuration.
2. SOTI is available upon request.
3. Length measurements do not include protrusions.
4. The drop test with a high-capacity battery must come with a hand strap.
5. Measured at dimming LCD brightness. Varies depending on the usage conditions, or when an external device is attached.
6. Accessories and integrated options may vary depending on your configuration.
7. This is a simplified drawing and some components are not marked in detail.
8. The product shown in this datasheet is a standard model. For diagrams that contain customized or optional I/O, please contact the Winmate Sales Team for more information.