

M140TG

14" Intel® Core™ i5-1135G7 Windows Rugged Tablet



KEY FEATURES

- 11th Gen. Intel® Processor Family – Tiger Lake Processor
- 14-inch tablet, 1920 x 1080 wide viewing angle LED Panel
- Optical bonding and Antiglare technology for sunlight readability
- IP65 water and dust proof with MIL-STD-810H rugged housing
- Hot-swappable battery for whole day work
- Optional integrated Smart Card Reader
- Integrated 75x75 VESA mounting solution
- Optional Kick-stand / Hard Handle

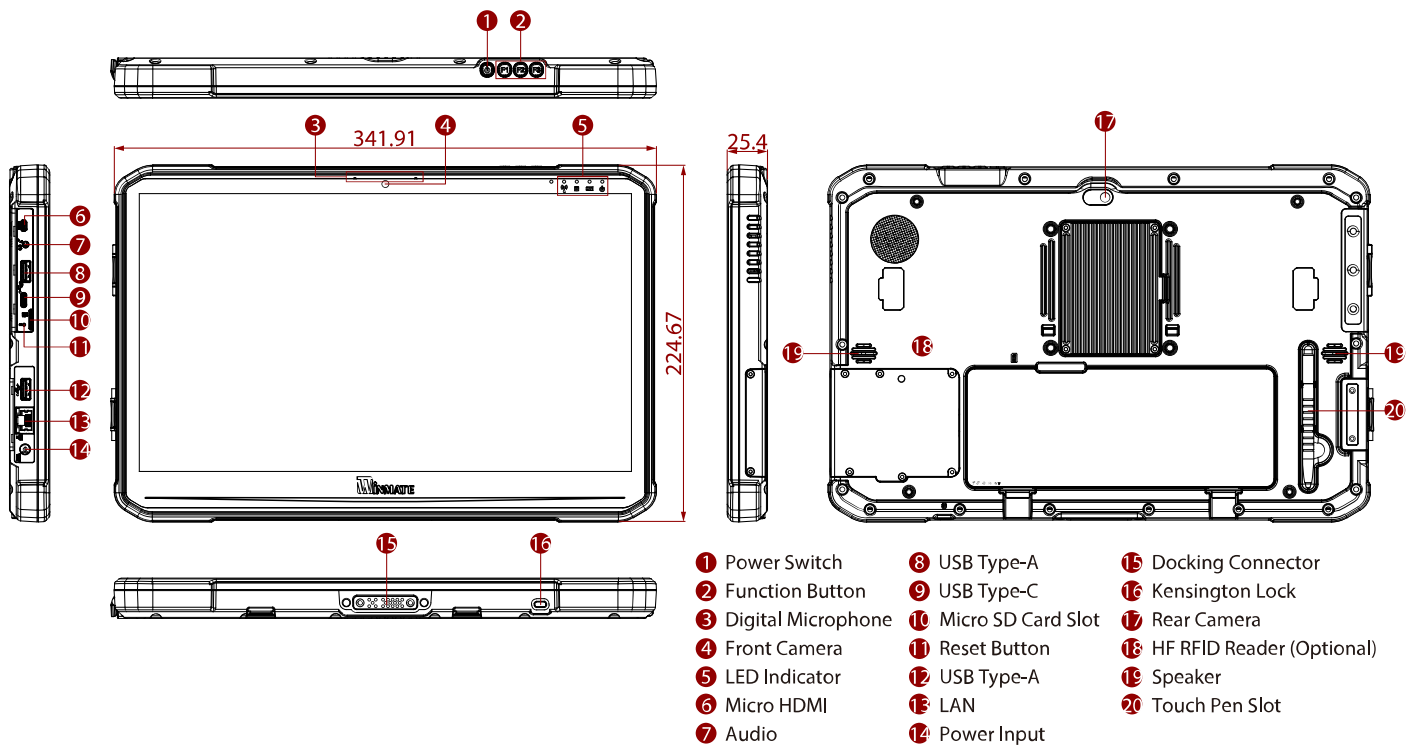


SPECIFICATIONS

| Display | | | |
|-------------------------|---|--------------------------|---|
| Bonding | Optical Bonding for Sunlight Viewability | Resolution | 1920x1080 |
| Size | 14.0 inches | Contrast Ratio | 800:1 |
| Panel Brightness | 700.0 nits | View Angles | 85,85,85,85 |
| Type | Projected Capacitive Multi Touch | | |
| System Specification | | | |
| Processor | Intel Core i5-1135G7 2.4GHz (up to 4.2GHz) | Memory | 4GB DDR4 SDRAM 8GB DDR4 SDRAM (Optional) 16GB DDR4 SDRAM (Optional) 32GB DDR4 SDRAM (Optional) |
| Storage | 128GB SSD Additional storage available with micro SDXC card slot 256GB SSD (Optional) 512GB SSD (Optional) 1TB SSD (Optional) 2TB SSD (Optional) | Security | Trusted Platform Module (TPM) 2.0 Kensington Lock |
| Operating System | Windows 10 IoT Enterprise LTSC (64 bit) Windows 11 IoT Enterprise LTSC (64 bit) (Optional) | WLAN | Support |
| BT | Support | WWAN | 4G LTE (Optional) 5G (Optional) |
| GNSS | GPS, GLONASS (Optional) | RFID | HF RFID reader 13.56 MHz (Optional) |
| Sensors | Light sensor/ G-sensor / Gyro | Smart Card Reader | Smart Card Reader Comply with ISO7816-1.2.3 T=1 and T=Ø protocol (Optional) |
| Camera | | | |
| Front Camera | 2MP Front Camera | Rear Camera | 8MP Rear Camera with auto-focus and LED light |
| Mechanical | | | |
| Dimension | 341.91 x 224.67 x 25.4 mm | Weight | 1.7 kg |
| Cooling System | Fan design | | |
| IO Ports | | | |
| USB Port | 2 x USB 3.0 (Type A), 1 x USB 3.0 (Type-C support Power Delivery 20V In) | SD Card Slot | 1 x Micro SDXC slot |
| SIM Card Slot | 1 x Nano SIM card slot | Video | 1 x Micro HDMI (Optional) |

| | | | |
|----------------------------|---|------------------------------|---|
| Audio | 1 x Audio combo 3.5mm audio combo jack Dual Digital Mic With Noise Cancellation Dual Speaker | LAN | 1 x RJ45-10/100/1000 GigaLAN port |
| Indicator | 4x LED Indicator for Power, Battery, HDD, RF status | Docking Connector | 1 x 19-pin docking connector |
| Environment | | | |
| Operating Humidity | 10% to 90% RH, non-condensing | Operating Temperature | -20°C to 60°C |
| Storage Temperature | -30°C to 70°C (-22°F to 158°F) | Shock | MIL-STD-810H Method 516.8 Procedure I |
| Vibration | MIL-STD-810H Method 514.8 Procedure I | IP rating | IP65 |
| Drop | MIL-STD-810H Method 516.8, 4 ft | | |
| Certification | | | |
| Certification | CE, FCC | | |
| Security Function | | | |
| SOTI MobiControl | SOTI MobiControl Compliance | Kensington Lock | Kensington Lock Support |
| Control | | | |
| Button | 1 x Power, 3 x function keys | | |
| Power | | | |
| Battery | Internal Battery: 10.8V typ. 2400 mAh Li-Ion Battery Hot-swappable 11.4V, typ. 3500 mAh Li-Ion Rechargeable Battery (3S1P) | Power Rating | 19V DC |
| Adapter | 100-240V, 50-60Hz / 19V DC | | |
| Accessory | | | |
| Accessory | Adapter and Power Cord Standard Battery Capacitive Stylus | Optional Accessory | Kickstand (Optional) Vehicle Charger (Optional) Battery Charger (Optional) Desk Dock (Optional) Shoulder Strap (Optional) Carry Bag (Optional) |

DIMENSIONS UNIT:MM



NOTE

1. This is a simplified drawing and some components are not marked in detail.
2. Please contact our sales representative if you need further product information.
3. All specifications are subject to change without prior notice.
4. The product shown in this datasheet is a standard model. For diagrams that contain customized or optional I/O, please contact the Winmate Sales Team for more information.