

W27L100-MRA3FP

27" 4K UHD Marine Display



KEY FEATURES

- 27" 3840 x 2160 resolution with projective capacitive multi-touch screen
- Edge to edge narrow bezel design and fanless cooling system
- OSD Key For quick mode changing between ECDIS DAY, DUSK, and NIGHT mode
- 9~36 V DC to DC power input acceptable (Isolation Resistance)
- Meet the requirements of industrial marine standards, compatible with IEC60945 4th Edition, DNVGLCG0339, IACS E10
- Color calibrated for ECDIS compliance (Optional)

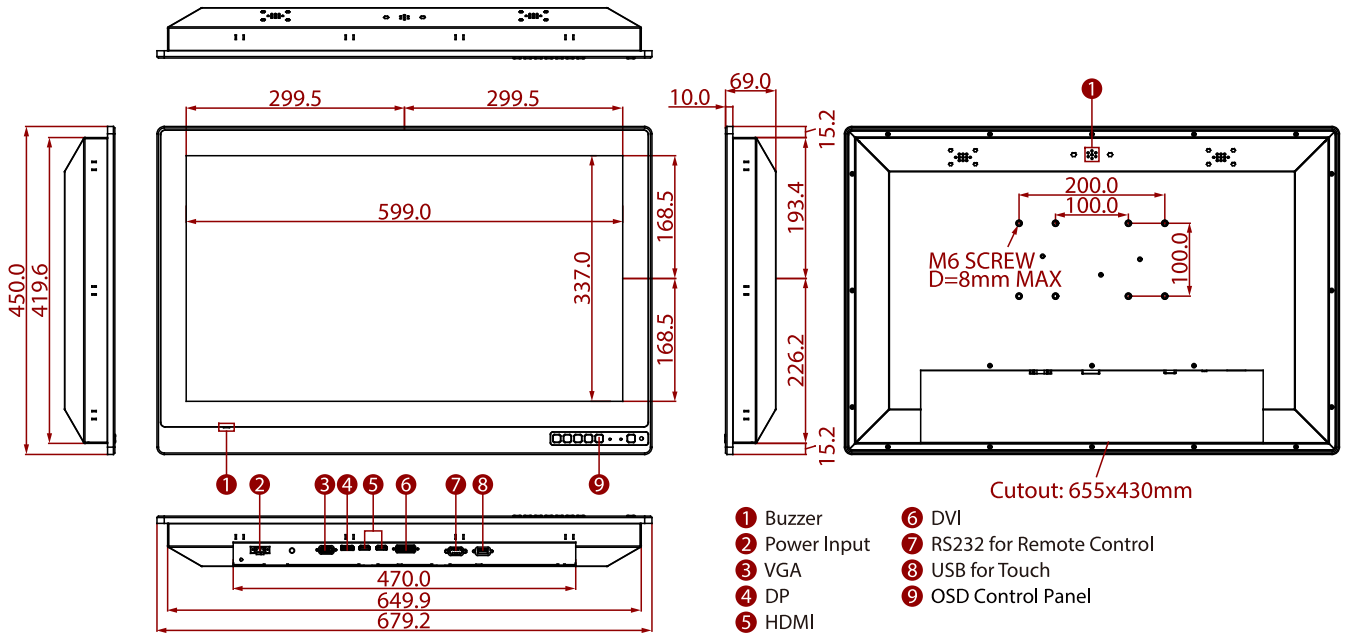


SPECIFICATIONS

Display	
Resolution	3840x2160
Contrast Ratio	1000:1
Display Color	1.07B Colors
Active Area	596.16x335.34 mm
Size	27.0 inches
Panel Brightness	400.0 nits
View Angles	89,89,89,89
Touch / Glass	Projected Capacitive Multi Touch Screen (AR) AG film (Optional) AR Glass (Optional)
Environment	
Operating Humidity	5% to 95%
Shock	15G, 11ms duration
IP rating	IP66 (Front Side)
Operating Temperature	-15~55°C
Vibration	0.7g@DNVGL CG-0339 (Class A)
Certification	
Certification	CE, FCC
IO Ports	
USB Port	1 x USB for Touch Screen
Video	1 x VGA 1 x DVI-D 1 x HDMI 1.4 1 x HDMI 2.0 1 x DP
Serial Port	1 x RS232 for remote control
Buzzer	75 dB~80 dB, 2300 Hz, 1m
Mechanical	
Dimension	679.2 x 450 x 69 mm
Mounting	VESA Mount/ Panel Mount
Cooling System	Fanless Design
Weight	16.7 kg
Enclosure	Anodized Aluminum Bezel
Cut out	655 x 430 mm
Power	
Power Rating	24V DC-in with Isolation (Approval by Certificate) 9~36V DC Input Acceptable
Consumption	55W (Typical)
Accessory	
Accessory	User Manual AC to DC Adapter Power Cord 3 Pin Terminal Block 1 x VGA cable

- 1 x DVI cable
- 1 x DP cable
- 2 x HDMI cable
- 1 x RS232 cable
- 1 x USB cable

DIMENSIONS UNIT:MM



NOTE

1. This is a simplified drawing and some components are not marked in detail.
2. Please contact our sales representative if you need further product information.
3. All specifications are subject to change without prior notice.
4. The product shown in this datasheet is a standard model. For diagrams that contain customized or optional I/O, please contact the Winmate Sales Team for more information.