

# W27IT7T-PPA1

## 27" Intel® Core™ i5 (Tiger Lake) PP Series HMI Panel PC



### KEY FEATURES

- Intel® Core™ Tiger Lake UP3 i5-1135G7
- 1920 x 1080 Resolution
- Projected capacitive multi-touch screen
- Multi display supports DP / HDMI / LVDS / eDP panel interface
- Multiple I/Os, 2 x Serial Ports, 4 x USB 3.2 Gen2x1 Ports
- Front IP65 water and dust proof
- Aluminum housing and Fanless design
- 12V Single Voltage Power Input



### SPECIFICATIONS

#### Display

<b>Resolution</b>	1920x1080	<b>Size</b>	27.0 inches
<b>Contrast Ratio</b>	3000:1	<b>Panel Brightness</b>	300.0 nits
<b>View Angles</b>	89,89,89,89	<b>Active Area</b>	599x337 mm
<b>Touch / Glass</b>	Projected Capacitive Multi Touch Screen		

#### System Specification

<b>WLAN</b>	Support (Optional)	<b>BT</b>	Support (Optional)
<b>Processor</b>	Intel Core i5-1135G7 2.4GHz (up to 4.2GHz)	<b>Memory</b>	1 x SO-DIMM, DDR4 3200 MHz, 4GB 8GB (Optional) 16GB (Optional) 32GB (Optional) 2 x SO-DIMM, DDR4 3200 MHz, 4GB (Optional) 8GB (Optional) 16GB (Optional) 32GB (Optional) 64GB (Optional)
<b>Storage</b>	1 x M.2 M-Key 2280 NVMe SSD 128GB 256GB (Optional) 512GB (Optional) 1TB (Optional) 2TB (Optional) 1 x SATA III for 2.5" SSD/HDD up to 2TB (Optional)	<b>Ethernet controller</b>	2 x Intel® Ethernet Controller
<b>Security</b>	TPM 2.0	<b>Operating System</b>	*Note: Only Windows 11 support Wake on touch Windows 11 IoT Enterprise (64 bit) (Optional) Windows 11 Pro 64 bit (Optional) Windows 10 IoT Enterprise (64 bit) (Optional) Linux Ubuntu 22.04 (Optional)

#### Mechanical

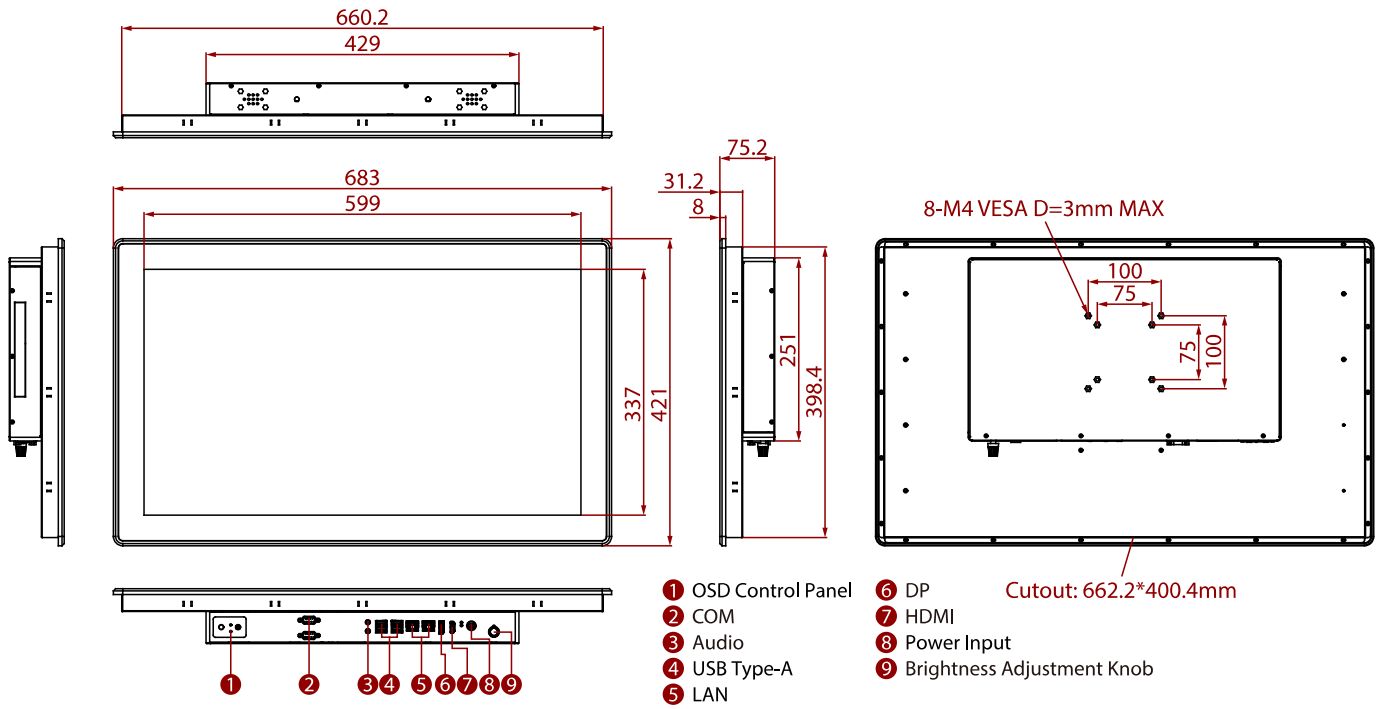
<b>Dimension</b>	683 x 421 x 75.2 mm	<b>Weight</b>	11.8 kg
<b>Mounting</b>	Panel mount VESA Mount	<b>Enclosure</b>	Metal Housing
<b>Cooling System</b>	Fanless design	<b>Cut out</b>	666.2 x 400.4 mm

#### Environment

<b>Operating Humidity</b>	10% to 90% RH, Non-Condensing	<b>Operating Temperature</b>	0°C to 50°C
<b>Storage Temperature</b>	-10°C to 60°C	<b>IP rating</b>	Front IP65

Certification			
Certification	CE, FCC		
IO Ports			
Power Input	1 x 12V DC, Din4 pin connector	USB Port	4 x USB3.2 Gen2x1 (Type-A)
Serial Port	1 x RS232/422/485 (Default RS232) 1 x RS232	Video	1 x DP1.4 1 x HDMI 2.0 (Optional)
Audio	Mic in Line out	Expansion Port	1 x M.2 2280 M-Key Slot (for NVME SSD) 1 x M.2 2230 E-Key Slot (for Wi-Fi module) 1 x PCIe 4.0 (x16) slot (x4 signal)
LAN	1 x Giga LAN RJ45 Connector 1 x 2.5 Giga LAN RJ45 Connector	Indicator	1 x LED Indicator for power 1 x LED Indicator for storage
Brightness Knob	1 x Brightness Adjustment Knob		
Control			
Button	1 x Power Button 1 x Reset Button		
Accessory			
Accessory	100~240V AC to DC Adapter Power Cord VESA screws		
Power			
Power Rating	12V DC	Adapter	12V 120W

**DIMENSIONS** UNIT:MM



**NOTE**

1. This is a simplified drawing and some components are not marked in detail.
2. Please contact our sales representative if you need further product information.
3. All specifications are subject to change without prior notice.
4. The product shown in this datasheet is a standard model. For diagrams that contain customized or optional I/O, please contact the Winmate Sales Team for more information.