

# W15IT3S-PPA4

## 15.6" Intel® Core™ i5-1135G PP Series HMI Panel PC



### KEY FEATURES

- 15.6" LED LCD with Projected Capacitive multi-touch screen
- Intel® Core™ i5-1135G7 2.4 GHz (turbo to 4.2GHz)
- Fanless cooling system and ultra-low power
- Front IP65 Water and Dust Proof
- Aluminum housing and fanless design
- Room booking schedule, Access Control, Room Information Display



### SPECIFICATIONS

Display	
<b>Resolution</b>	1920x1080
<b>Contrast Ratio</b>	800:1
<b>View Angles</b>	85,85,85,85
<b>Touch / Glass</b>	Projected Capacitive Multi Touch Screen
<b>Size</b>	15.6 inches
<b>Panel Brightness</b>	300.0 nits
<b>Active Area</b>	344.16x193.59 mm
System Specification	
<b>WLAN</b>	Support (Optional)
<b>Processor</b>	Intel Core i5-1135G7 2.4GHz (up to 4.2GHz)
<b>Storage</b>	1 x M.2 2280 M-Key NVMe SSD 128GB 256GB (Optional) 512GB (Optional) 1TB (Optional) 2TB (Optional) 1 x SATA III for 2.5" SSD/HDD up to 2TB (Optional)
<b>Memory</b>	1 x SO-DIMM, DDR4 3200 MHz, 4GB 8GB (Optional) 16GB (Optional) 32GB (Optional)
<b>Security</b>	TPM 2.0
<b>Ethernet controller</b>	2 x Intel® Ethernet Controller
<b>Operating System</b>	*Note : Only Windows 11 support Wake on touch Windows 11 IoT Enterprise (64 bit) (Optional) Windows 11 Pro 64 bit (Optional) Windows 10 IoT Enterprise (64 bit) (Optional) Linux Ubuntu 22.04 (Optional)
<b>BT</b>	Support (Optional)
Mechanical	
<b>Dimension</b>	415 x 275 x 71 mm
<b>Weight</b>	3.9 kg
<b>Mounting</b>	Panel mount VESA Mount
<b>Enclosure</b>	Metal Housing
<b>Cooling System</b>	Fanless design
<b>Cut out</b>	374.5 x 240 mm
Environment	
<b>Operating Humidity</b>	10% to 90% RH, Non-Condensing
<b>Operating Temperature</b>	0°C to 50°C
<b>Storage Temperature</b>	-10°C to 60°C
<b>IP rating</b>	Front IP65
Certification	
<b>Certification</b>	CE, FCC
IO Ports	

<b>Power Input</b>	1 x 12V DC, 2.5φ DC jack	<b>USB Port</b>	2 x USB3.2 Gen2x1 (Type-A)
<b>Serial Port</b>	1 x RS232/422/485 (Default RS232) 1 x RS232	<b>Video</b>	1 x HDMI 2.0 (Optional)
<b>Audio</b>	2 x Speaker	<b>Expansion Port</b>	1 x M.2 2280 M-Key Slot (for NVME SSD) 1 x M.2 2230 E-KeySlot (for Wi-Fi Module)
<b>LAN</b>	2 x 2.5 Giga LAN RJ45 Connector	<b>Indicator</b>	1 x LED Indicator for power 1 x LED Indicator for storage
<b>Brightness Knob</b>	1 x Brightness Adjustment Knob		

**Control**

<b>Button</b>	1 x Power Button 1 x Reset Button
---------------	--------------------------------------

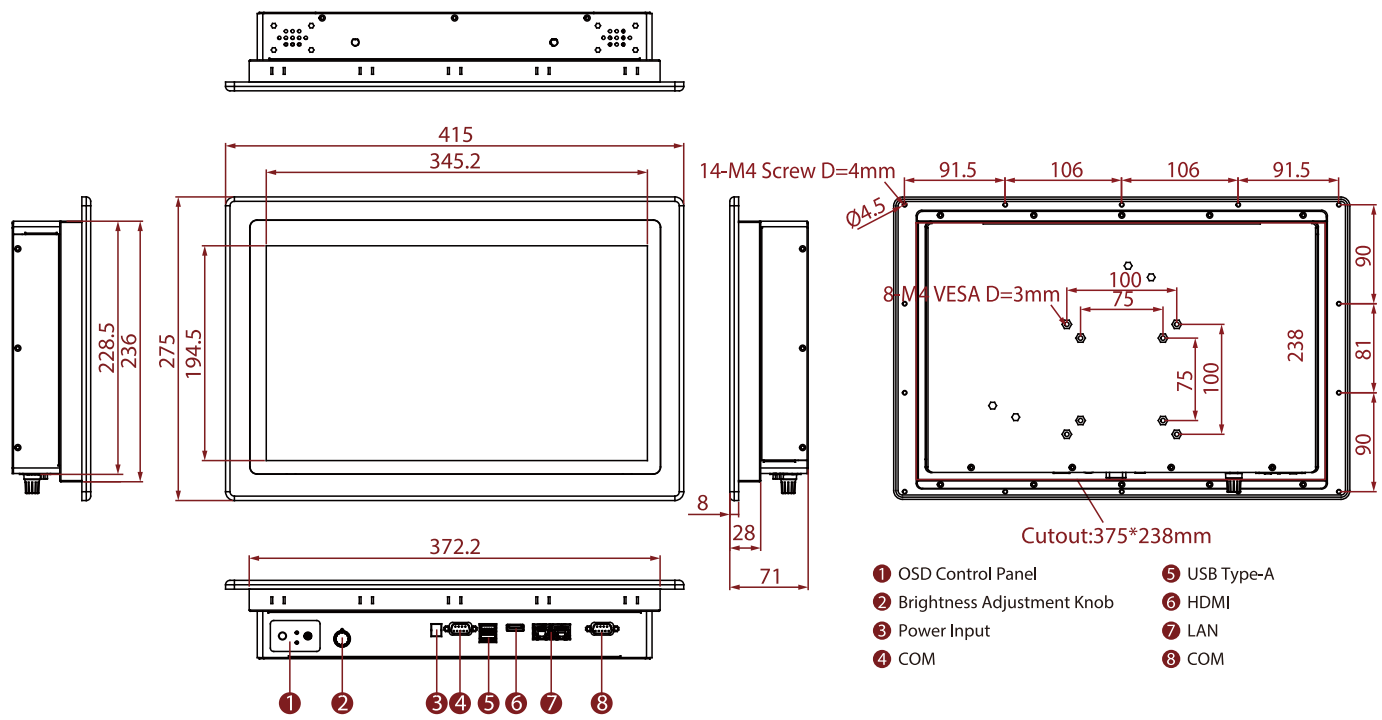
**Accessory**

<b>Accessory</b>	100~240V AC to DC Adapter Power Cord VESA screws Mounting clips
------------------	--

**Power**

<b>Power Rating</b>	12V DC	<b>Adapter</b>	12V 120W
---------------------	--------	----------------	----------

**DIMENSIONS** UNIT:MM



**NOTE**

1. This is a simplified drawing and some components are not marked in detail.
2. Please contact our sales representative if you need further product information.
3. All specifications are subject to change without prior notice.
4. The product shown in this datasheet is a standard model. For diagrams that contain customized or optional I/O, please contact the Winmate Sales Team for more information.