

# R19IT3S-MLA3-89

## 19" Intel® Core™ i7-1165G7 Defence Console Rack Panel PC



### KEY FEATURES

- 19" SXGA TFT LCD
- Intel® Core i7-1165G7 2.8GHz (up to 4.7GHz) Processor
- Anti-Corrosion Housing / Fanless
- Compliant with MIL-STD-810G
- Flush Rack / Rack Mount Mechanical Design (9U)
- Convenient On-Screen Display Controls
- AC 110~240 V Power input default
- Isolation DC 9~36 V Power input (Optional)
- Built-in Light Sensor for auto brightness control
- Defence Grade Power & Signal Connector (MILDTL38999/1 & 38999/3)



### SPECIFICATIONS

#### Display

<b>Resolution</b>	1280x1024	<b>Size</b>	19.0 inches
<b>Contrast Ratio</b>	1000:1	<b>Panel Brightness</b>	350.0 nits
<b>View Angles</b>	85,85,80,80	<b>Active Area</b>	376.32x301.06 mm
<b>Touch / Glass</b>	AR Protection Glass 5 Wires Resistive Touch (Optional) 5 Wire Resistive with EMI Mesh Filter (Optional) EMI Glass (Optional)		

#### System Specification

<b>Processor</b>	Intel Core i7-1165G7 2.8GHz (up to 4.7GHz)	<b>Memory</b>	1 x SO-DIMM, DDR4 2400 MHz, 4GB 8GB (Optional) 16GB (Optional) 32GB (Optional)
<b>Storage</b>	1 x M.2 M-Key 2280 NVMe SSD, 128GB 256GB (Optional) 512GB (Optional) 1TB (Optional) 2TB (Optional) 4TB (Optional)	<b>Ethernet controller</b>	2 x Intel® Ethernet Controller
<b>Operating System</b>	Windows 10 IoT Enterprise (64 bit) (Optional) Windows 11 IoT Enterprise SAC (64 bit) (Optional) Linux Ubuntu 22.04 (Optional)		

#### Environment

<b>Operating Humidity</b>	10% to 95% RH	<b>Operating Temperature</b>	-20°C~60°C
<b>Storage Temperature</b>	-30°C~70°C		

#### Compliance

<b>MIL-STD 461E/F/G</b>	RE101 / RE102 CE101 / CE102 CS118 with EMI Glass / Touch(Optional) RS101 / RS 103 CS101 / CS 106 / CS 109 / CS 114 / CS 115 / CS	<b>MIL-STD 810G/H</b>	Vibration Method 514.6 Humidity Method 507.5 Transit Drop Method516.6
-------------------------	---	-----------------------	---

**Certification**

**Certification** CE, FCC

**IO Ports**

**USB Port** 1 x USB 2.0 A Type (MIL-DTL-38999/3)

**Serial Port** 2 x RS232 (MIL-DTL38999/3)

**LAN** 1 x LAN (MIL-DTL-38999/3)

**Mechanical**

**Dimension** 482.6 x 399.3 x 81.4 mm

**Mounting** VESA Mount/ Rack Mount

**Enclosure** Metal Housing with Aluminum Bezel

**Cooling System** Fanless Design

**Accessory**

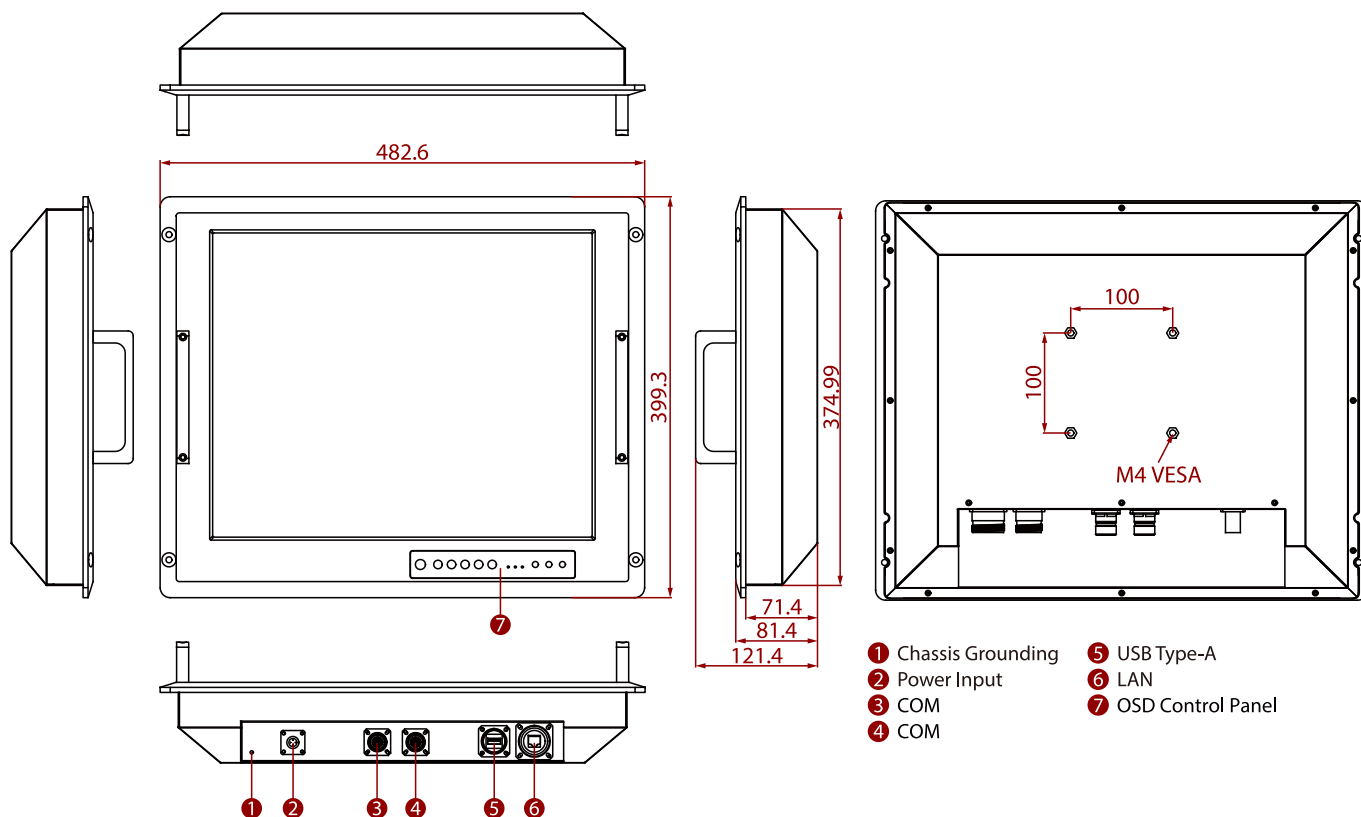
**Accessory** User Manual (Hardcopy)  
CD-ROM with Driver Utility  
Power Cord MIL-DTL-38999/1  
RS232 Cable MIL-DTL38999/3

**Power**

**Power Rating** AC 100~240V, Universal, ±10%  
DC 9~36V, ±10% (Optional)

**Control**

**Button** 8 Key OSD Control Pad:  
Power, Brightness DOWN, Brightness UP,  
Night, Day, Auto / Manual, Reset, Lock

**DIMENSIONS** UNIT:MM**NOTE**

1. This is a simplified drawing and some components are not marked in detail.
2. Please contact our sales representative if you need further product information.
3. All specifications are subject to change without prior notice.
4. The product shown in this datasheet is a standard model. For diagrams that contain customized or optional I/O, please contact the Winmate Sales Team for more information.