

# R19IK7T-POM1

## 19" Intel® Core™ i3/i5/i7 PO Series HMI Panel PC



### KEY FEATURES

- 19" 1280 x 1024 Resolution
- 7th Gen. Intel® Core™ i3/i5/i7 processor (Kabylake)
- Flexible storage devices, one 2.5-inch HDD and one SSD
- Multiple I/Os, 2 x Serial Ports, 4 x USB 3.0 Ports
- 12 V DC Power input
- DP Support 4096 x 2304 @ 60 Hz
- HDMI Support 4096 x 2304 @ 24 Hz



### SPECIFICATIONS

Display			
<b>Resolution</b>	1280x1024	<b>Size</b>	19.0 inches
<b>Contrast Ratio</b>	1000:1	<b>Panel Brightness</b>	250.0 nits
<b>View Angles</b>	85,85,80,80	<b>Active Area</b>	376.32x301.06 mm
<b>Touch / Glass</b>	Projected Capacitive Multi Touch Screen		
System Specification			
<b>Processor</b>	Intel Core i7-7700T 2.9 GHz (up to 3.8GHz) Intel Core i5-7500T 2.7GHz (up to 3.3GHz) (Optional) Intel Core i3-7100T 3.4GHz (Optional)	<b>Chipset</b>	Intel® C236
<b>Memory</b>	1 x SO-DIMM, DDR4 2166 MHz, 4GB 8GB (Optional) 16GB (Optional) 32GB (Optional) 2 x SO-DIMM, DDR4 2166 MHz, 4GB (Optional) 8GB (Optional) 16GB (Optional) 32GB (Optional) 64GB (Optional)	<b>Storage</b>	1 x M.2 2242 B-key SSD 128GB 256GB (Optional) 512GB (Optional) 1 x SATA III for 2.5" SSD / HDD (Optional) 2 x SATA III support RAID 0,1 (Optional)
<b>Ethernet controller</b>	2 x Intel® Ethernet Controller	<b>Security</b>	TPM 2.0
<b>Operating System</b>	Windows 10 IoT Enterprise (64 bit) (Optional) Linux Ubuntu 20.04 (Optional)	<b>WLAN</b>	Support (Optional)
<b>BT</b>	Support (Optional)		
Mechanical			
<b>Dimension</b>	457 x 382 x 62 mm	<b>Weight</b>	4.8 kg
<b>Mounting</b>	Open Frame Panel Mount VESA Mount	<b>Enclosure</b>	Metal Housing
<b>Cooling System</b>	Fan design		
Environment			
<b>Operating Humidity</b>	10% to 90% RH, Non-Condensing	<b>Operating Temperature</b>	0°C to 50°C
<b>Storage Temperature</b>	-10°C to 60°C		
Certification			
<b>Certification</b>	CE, FCC		

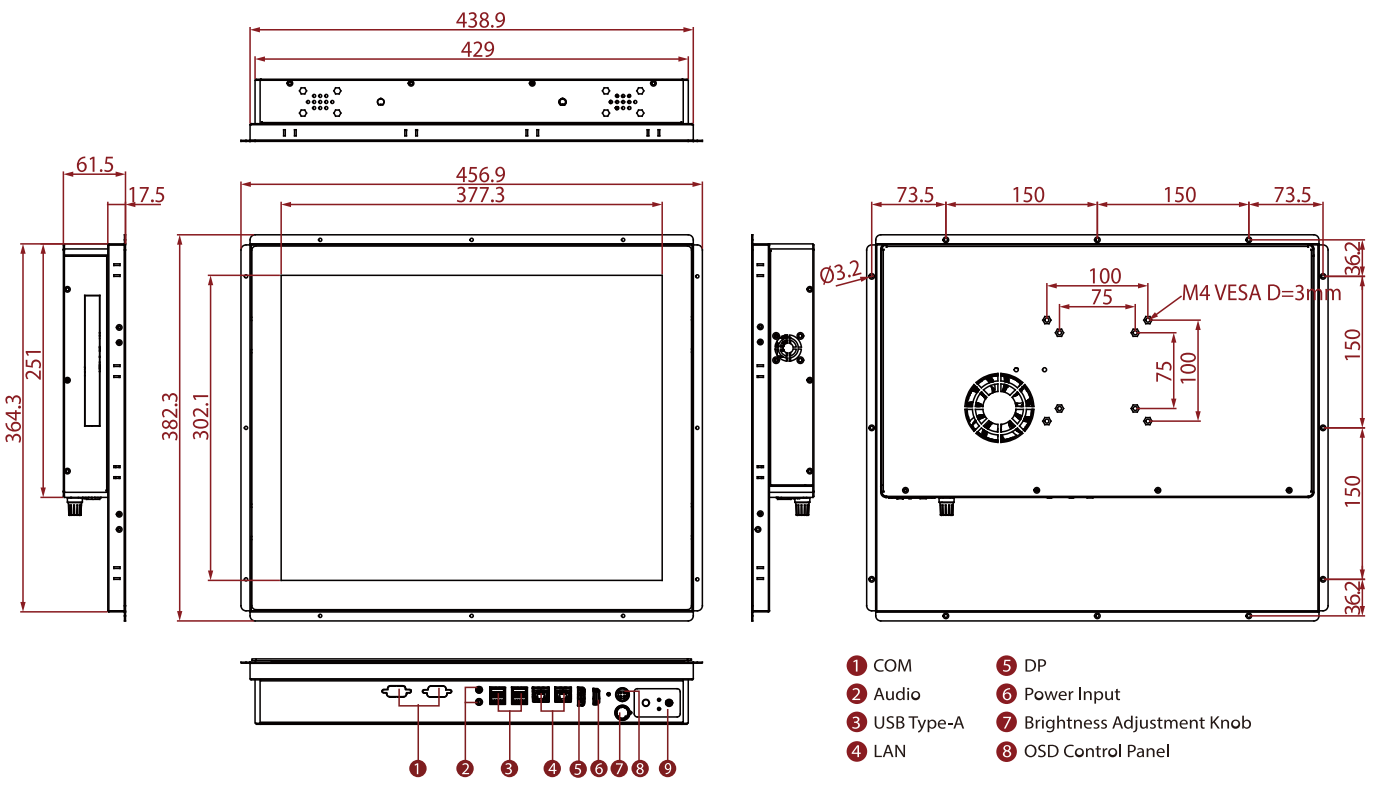
IO Ports			
<b>Power Input</b>	1 x 12V DC, Din4 pin connector	<b>USB Port</b>	4 x USB3.2 Gen1x1 (Type-A)
<b>Serial Port</b>	1 x RS232/422/485 (Default RS232) 1 x RS232	<b>Video</b>	1 x DP1.2 1 x HDMI 1.4 (Optional)
<b>Audio</b>	1 x Mic in 1 x Line out 2 x Speaker	<b>Expansion Port</b>	1 x M.2 2242 B-key Slot (for SATA III SSD) 1 x M.2 2230 E-Key Slot (for Wi-Fi module) 1 x PCIe 3.0 (x16) slot
<b>LAN</b>	2 x Giga LAN RJ45 Connector	<b>Indicator</b>	1 x LED Indicator for power 1 x LED Indicator for storage
<b>Brightness Knob</b>	1 x Brightness Adjustment Knob		

Control	
<b>Button</b>	1 x Power Button 1 x Reset Button

Accessory	
<b>Accessory</b>	100~240V AC to DC Adapter Power Cord VESA screws

Power			
<b>Power Rating</b>	12V DC (Lockable Power Jack)	<b>Adapter</b>	12V 120W

**DIMENSIONS** UNIT:MM



**NOTE**

1. This is a simplified drawing and some components are not marked in detail.
2. The product shown in this datasheet is a standard model. For diagrams that contain customized or optional I/O, please contact the Winmate Sales Team for more information.
3. All specifications are subject to change without prior notice.