

R19IF7T-POM1

19" Intel® Core™ i3/i5/i7 HMI Panel PC



KEY FEATURES

- 19" 1280 x 1024 Resolution, HMI Panel PC
- Intel® 9th Gen. Core™ i3/i5/i7 Processor (Coffee Lake Refresh)
- Flexible storage devices, one 2.5-inch HDD and one SSD
- Multiple I/Os, 2 x Serial Ports, 4 x USB 3.2 Gen. 1 Ports
- 12 V DC Power input
- DP Support 4096 x 2304 @ 60 Hz
- HDMI Support 4096 x 2304 @ 24 Hz



SPECIFICATIONS

Display			
Resolution	1280x1024	Size	19.0 inches
Contrast Ratio	1000:1	Panel Brightness	250.0 nits
View Angles	85,85,80,80	Active Area	376.32x301.06 mm
Touch / Glass	Projected Capacitive Multi Touch Screen		
System Specification			
Processor	Intel Core i7-9700TE 1.8GHz (up to 3.8GHz) Intel Core i5-9500TE 2.2GHz (up to 3.6GHz) (Optional) Intel Core i3-9100TE 2.2GHz (up to 3.2GHz) (Optional)	Chipset	Intel® B360(No vPRO) Intel® Q370(Support vPRO and NVMe) (Optional)
Memory	1 x SO-DIMM, DDR4 2400 MHz, 4GB 8GB (Optional) 16GB (Optional) 32GB (Optional) 2 x SO-DIMM, DDR4 2400 MHz, 4GB (Optional) 8GB (Optional) 16GB (Optional) 32GB (Optional) 64GB (Optional)	Storage	1 x M.2 2242 B-key SSD 128GB 256GB (Optional) 512GB (Optional) 1 x M.2 2280 M-Key NVME SSD 128GB (Optional) 256GB (Optional) 512GB (Optional) 1TB (Optional) 2TB (Optional) 2 x SATA III for 2.5" SSD/HDD support RAID 0,1 (Optional)
Ethernet controller	2 x Intel® Ethernet Controller	Security	TPM 2.0
Operating System	Windows 10 IoT Enterprise (64 bit) (Optional) Linux Ubuntu 20.04 (Optional)	WLAN	Support (Optional)
BT	Support (Optional)		
Mechanical			
Dimension	457 x 382 x 62 mm	Weight	4.8 kg
Mounting	Open Frame Panel Mount VESA Mount	Enclosure	Metal Housing
Cooling System	Fan design		
Environment			
Operating Humidity	10% to 90% RH, Non-Condensing	Operating Temperature	0°C to 50°C
Storage Temperature	-10°C to 60°C		
Certification			

Certification CE, FCC

IO Ports

Power Input	1 x 12V DC, Din4 pin connector	USB Port	4 x USB3.2 Gen1x1 (Type-A)
Serial Port	1 x RS232/422/485 (Default RS232) 1 x RS232	Video	1 x DP1.2 1 x HDMI 1.4 (Optional)
Audio	1 x Mic in 1 x Line out 2 x Speaker	Expansion Port	1 x M.2 2280/2242 M-Key Slot (for NVME SSD or SATA III SSD) 1 x M.2 2230 E-Key Slot (for Wi-Fi module) 1 x PCIe 3.0 (x16) slot
LAN	2 x Giga LAN RJ45 Connector	Indicator	1 x LED Indicator for power 1 x LED Indicator for storage
Brightness Knob	1 x Brightness Adjustment Knob		

Control

Button 1 x Power Button
1 x Reset Button

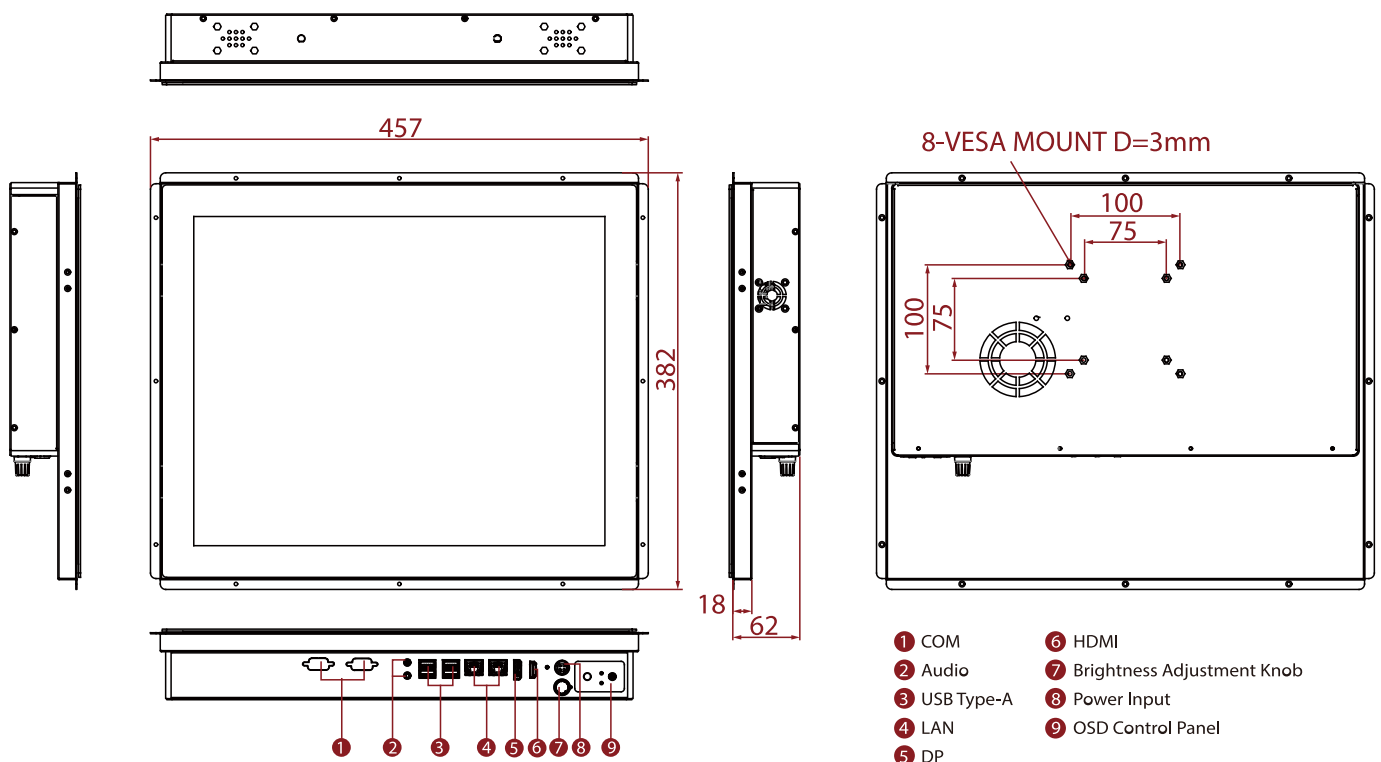
Accessory

Accessory 100~240V AC to DC Adapter
Power Cord
VESA screws

Power

Power Rating 12V DC (Lockable Power Jack) **Adapter** 12V 120W

DIMENSIONS UNIT:MM



NOTE

1. Measurements are shown in mm.
2. Tolerance of all dimensions is shown as follow 0~30 mm ± 0.1 mm, 30~50 mm ± 0.15 mm, 50~120 mm ± 0.2 mm, above 120 mm ± 0.25 mm.
3. This is a simplified drawing and some components are not marked in detail.
4. The product shown in this datasheet is a standard model. For diagrams that contain customized or optional I/O, please contact the Winmate Sales Team for more information.