

# R17IT7T-PPM1

## 17" Intel® Core™ i5 (Tiger Lake) PP Series HMI Panel PC



### KEY FEATURES

- Intel® Core™ Tiger Lake UP3 i5-1135G7 (Without vPro) / Intel® Core™ Tiger Lake UP3 i5-1145G7E (With vPro)
- 1280 x 1024 Resolution
- Projected capacitive multi-touch screen
- Multi display supports DP / HDMI / LVDS / eDP panel interface
- Multiple I/Os, 2 x Serial Ports, 4 x USB 3.2 Gen. 1 Ports
- Front IP65 water and dust proof
- Aluminum housing and Fan design
- 12V Single Voltage Power Input



### SPECIFICATIONS

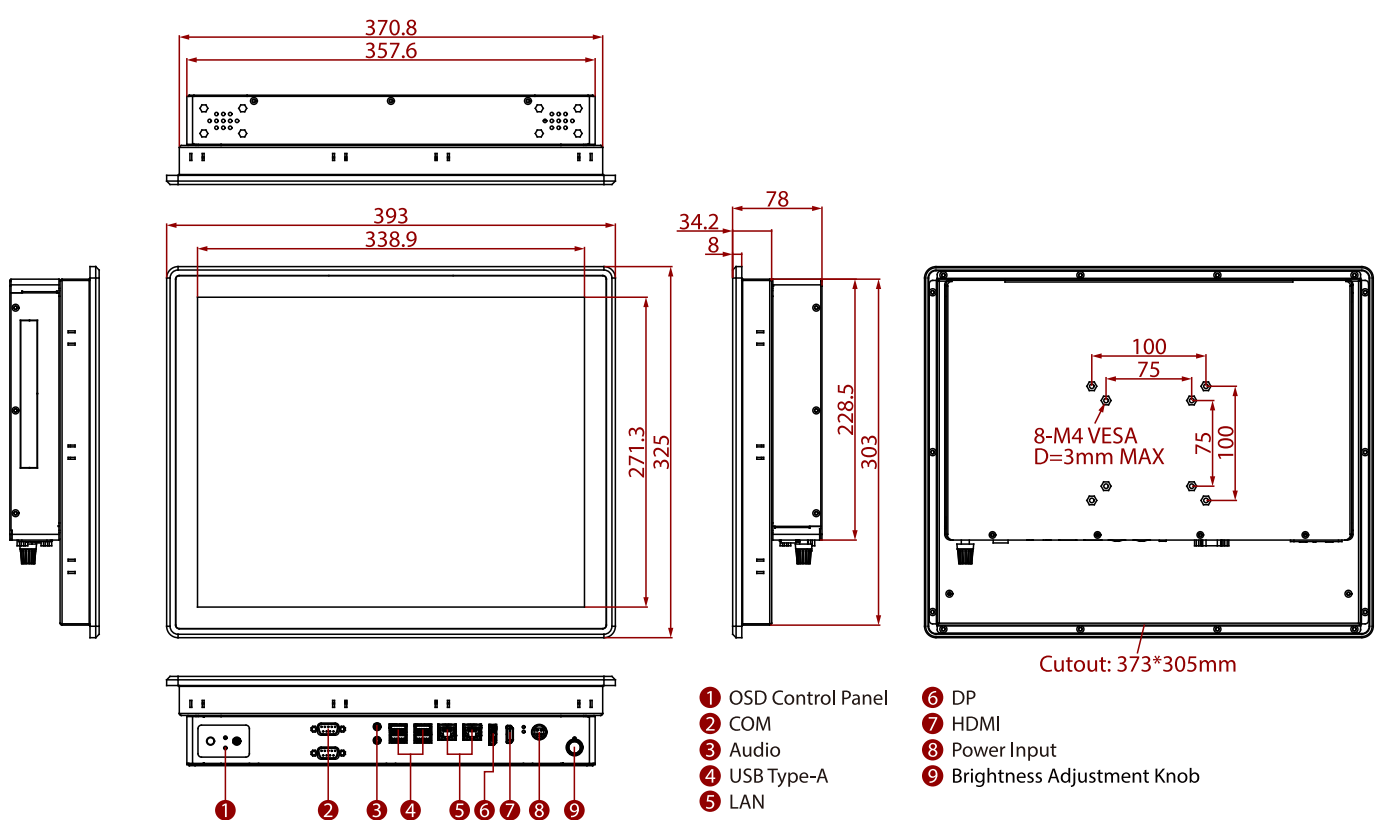
Display			
<b>Resolution</b>	1280x1024	<b>Size</b>	17.0 inches
<b>Contrast Ratio</b>	1000:1	<b>Panel Brightness</b>	350.0 nits
<b>View Angles</b>	85,85,80,80	<b>Active Area</b>	337.920x270.336 mm
<b>Touch / Glass</b>	Projected Capacitive Multi Touch Screen		
System Specification			
<b>WLAN</b>	Support (Optional)	<b>BT</b>	Support (Optional)
<b>Processor</b>	Intel Core i5-1135G7 2.4GHz (up to 4.2GHz)	<b>Memory</b>	1 x SO-DIMM, DDR4 3200 MHz, 4GB 8GB (Optional) 16GB (Optional) 32GB (Optional) 2 x SO-DIMM, DDR4 3200 MHz, 4GB (Optional) 8GB (Optional) 16GB (Optional) 32GB (Optional) 64GB (Optional)
<b>Storage</b>	1 x M.2 M-Key 2280 NVMe SSD 128GB 256GB (Optional) 512GB (Optional) 1TB (Optional) 2TB (Optional) 1 x SATA III for 2.5" SSD/HDD up to 2TB (Optional)	<b>Ethernet controller</b>	2 x Intel® Ethernet Controller
<b>Security</b>	TPM 2.0	<b>Operating System</b>	*Note: Only Windows 11 support Wake on touch Windows 11 IoT Enterprise (64 bit) (Optional) Windows 11 Pro 64 bit (Optional) Windows 10 IoT Enterprise (64 bit) (Optional) Linux Ubuntu 22.04 (Optional)
Mechanical			
<b>Dimension</b>	393 x 325 x 78 mm	<b>Weight</b>	5.9 kg
<b>Mounting</b>	Panel mount VESA Mount	<b>Enclosure</b>	Metal Housing
<b>Cooling System</b>	Fanless design	<b>Cut out</b>	373 x 305 mm
Environment			
<b>Operating Humidity</b>	10% to 90% RH, Non-Condensing	<b>Operating Temperature</b>	0°C to 50°C
<b>Storage</b>	-10°C to 60°C	<b>IP rating</b>	Front IP65

<b>Temperature</b>	
<b>Certification</b>	
<b>Certification</b>	CE, FCC
<b>IO Ports</b>	
<b>Power Input</b>	1 x 12V DC, Din4 pin connector
<b>Serial Port</b>	1 x RS232/422/485 (Default RS232) 1 x RS232
<b>Audio</b>	Mic in Line out
<b>LAN</b>	1 x Giga LAN RJ45 Connector 1 x 2.5 Giga LAN RJ45 Connector
<b>Brightness Knob</b>	1 x Brightness Adjustment Knob
<b>Control</b>	
<b>Button</b>	1 x Power Button 1 x Reset Button

<b>Accessory</b>	
<b>Accessory</b>	100~240V AC to DC Adapter Power Cord VESA screws Mounting clips

<b>Power</b>	
<b>Power Rating</b>	12V DC
<b>Adapter</b>	12V 120W

**DIMENSIONS** UNIT:MM



**NOTE**

1. This is a simplified drawing and some components are not marked in detail.
2. Please contact our sales representative if you need further product information.
3. All specifications are subject to change without prior notice.
4. The product shown in this datasheet is a standard model. For diagrams that contain customized or optional I/O, please contact the Winmate Sales Team for more information.