

# R15IP7T-POC3

## 15" Intel® Pentium® N4200 PO Series HMI Panel PC



### KEY FEATURES

- 15" 1024 x 768 Resolution
- Intel® Pentium® Apollo Lake N4200, 1.10 GHz
- Flexible storage devices, one 2.5-inch HDD and one SSD
- Multiple I/Os, 2 x Serial Ports, 4 x USB 3.0 Ports
- 12 V DC power input
- DP Support 4096 x 2304 @ 60 Hz
- HDMI (Optional) Support 4096 x 2304 @ 24 Hz

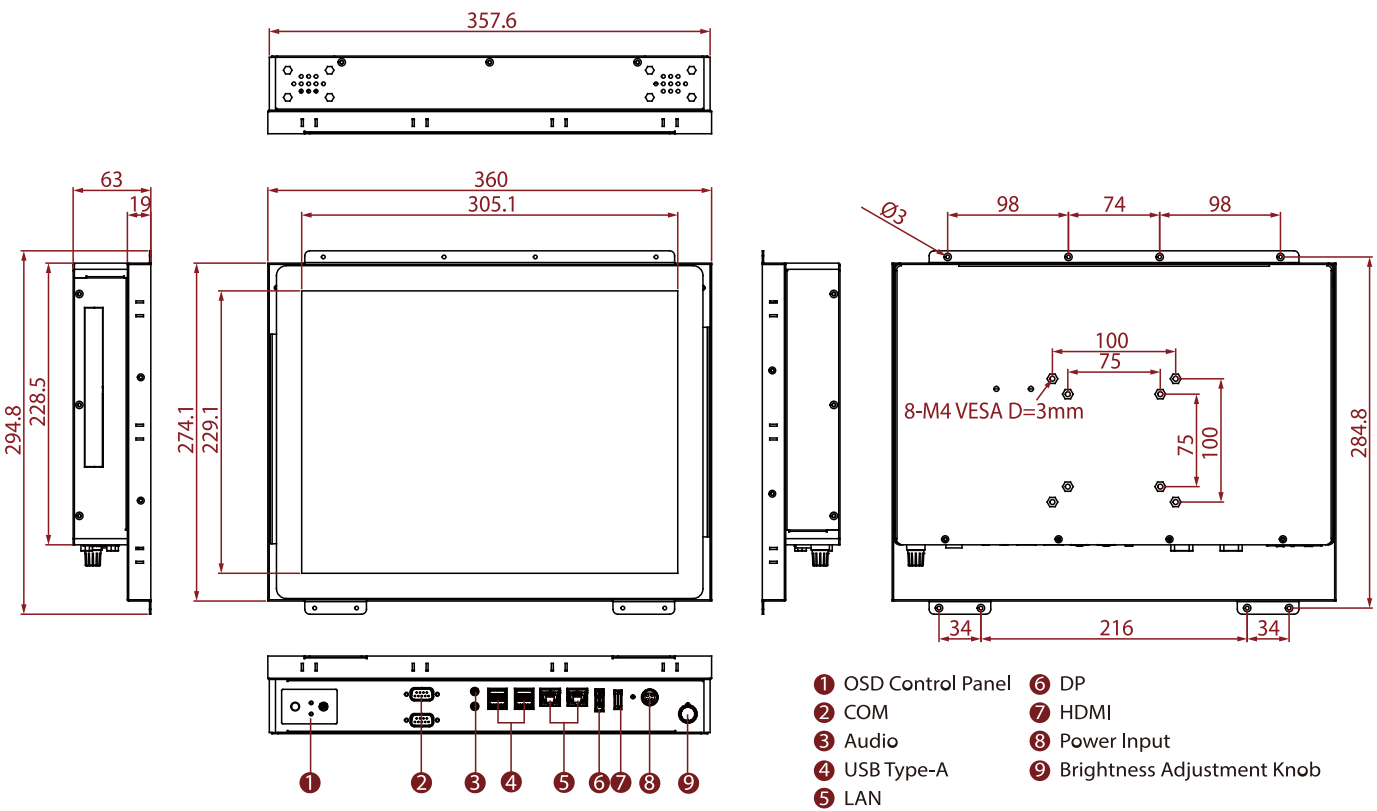


### SPECIFICATIONS

| Display                      |   |
|------------------------------|---|
| <b>Resolution</b>            | 1024x768  |
| <b>Contrast Ratio</b>        | 2000:1  |
| <b>View Angles</b>           | 88,88,88,88   |
| <b>Touch / Glass</b>         | Projected Capacitive Multi Touch Screen   |
| <b>Size</b>                  | 15.0 inches   |
| <b>Panel Brightness</b>      | 300.0 nits  |
| <b>Active Area</b>           | 304.1x228.1 mm  |
| System Specification         |   |
| <b>Processor</b>             | Intel Pentium N4200 1.1GHz (up to 2.5GHz)   |
| <b>Memory</b>                | 2 x SODIMM, DDR3L 1866 MHz, 4GB 8GB (Optional)  |
| <b>Storage</b>               | 1 x M.2 2242 SSD 128GB 256GB (Optional) 512GB (Optional) 2 x SATA III for 2.5" SSD/HDD (Optional) |
| <b>Ethernet controller</b>   | 2 x Intel® Ethernet Controller  |
| <b>Security</b>              | TPM 2.0   |
| <b>Operating System</b>      | Windows 10 IoT Enterprise (64 bit) (Optional) Linux Ubuntu 20.04 (Optional)                       |
| <b>WLAN</b>                  | Support (Optional)  |
| <b>BT</b>                    | Support (Optional)  |
| Mechanical                   |   |
| <b>Dimension</b>             | 360 x 274 x 63 mm   |
| <b>Weight</b>                | 4.1 kg  |
| <b>Mounting</b>              | Open Frame Panel Mount VESA Mount   |
| <b>Enclosure</b>             | Metal Housing   |
| <b>Cooling System</b>        | Fanless design  |
| Environment                  |   |
| <b>Operating Humidity</b>    | 10% to 90% RH, Non-Condensing   |
| <b>Operating Temperature</b> | 0°C to 50°C   |
| <b>Storage Temperature</b>   | -10°C to 60°C   |
| <b>IP rating</b>             | Front IP65  |
| Certification                |   |
| <b>Certification</b>         | CE, FCC   |
| IO Ports                     |   |
| <b>Power Input</b>           | 1 x 12V DC, Din4 pin connector  |
| <b>USB Port</b>              | 4 x USB3.2 Gen1x1 (Type-A)  |
| <b>Serial Port</b>           | 1 x RS232/422/485 (Default RS232) 1 x RS232   |
| <b>Video</b>                 | 1 x DP1.2 1 x HDMI 1.4 (Optional) 1 x VGA (Optional)  |
| <b>Audio</b>                 | 1 x Mic in  |
| <b>Expansion Port</b>        | 1 x M.2 2242 B-key Slot (for SATA III SSD)  |

|                        |  |                  |  |
|------------------------|--|------------------|--|
| <b>LAN</b>             | 1 x Line out<br>2 x Speaker<br>2 x Giga LAN RJ45 Connector | <b>Indicator</b> | 1 x M.2 2230 E-Key Slot (for Wi-Fi module)<br>1 x PCIe 2.0 (x1) slot<br>1 x LED Indicator for power<br>1 x LED Indicator for storage |
| <b>Brightness Knob</b> | 1 x Brightness Adjustment Knob                             |                  |  |
| <b>Control</b>         |  |                  |  |
| <b>Button</b>          | 1 x Power Button<br>1 x Reset Button                       |                  |  |
| <b>Accessory</b>       |  |                  |  |
| <b>Accessory</b>       | 100~240V AC to DC Adapter<br>Power Cord<br>VESA screws     |                  |  |
| <b>Power</b>           |  |                  |  |
| <b>Power Rating</b>    | 12V DC   | <b>Adapter</b>   | 12V 50W  |

**DIMENSIONS** UNIT:MM



**NOTE**

1. This is a simplified drawing and some components are not marked in detail.
2. The product shown in this datasheet is a standard model. For diagrams that contain customized or optional I/O, please contact the Winmate Sales Team for more information.
3. All specifications are subject to change without prior notice.