

M116TG

11.6" Windows Rugged Tablet with Intel® Core™ i5-1135G7



KEY FEATURES

- 11.6" 1920 x 1080, 850 nits IPS LED Panel with direct optical bonding
- Intel® Core™ i5-1135G7 Tiger Lake processor
- IP65 waterproof and dustproof, MIL-STD-810H shock, vibration and drop resistance
- Sunlight readable with antiglare solution
- Hot-swappable battery design
- USB Type-C port support power delivery 20V In



SPECIFICATIONS

Display	
Bonding	Optical Bonding for Sunlight Viewability
Size	11.6 inches
Panel Brightness	850.0 nits
Type	Projected Capacitive Multi Touch
Touch Mode	Support Hand/Rain, Stylus, Glove Mode
Resolution	1920x1080
Contrast Ratio	1000:1
View Angles	85,85,85,85
Viewability	Anti-Glare touch treatment
System Specification	
Processor	Intel Core i5-1135G7 2.4GHz (up to 4.2GHz)
Memory	8GB DDR4 SDRAM 16GB DDR4 SDRAM (Optional) 32GB DDR4 SDRAM (Optional)
Storage	256GB M.2 NVMe SSD Additional storage available with micro SDXC card slot 512GB M.2 NVMe SSD (Optional) 1TB M.2 NVMe SSD (Optional) 2TB M.2 NVMe SSD (Optional)
Security	Trusted Platform Module (TPM) 2.0 Kensington Lock
Operating System	Windows 10 IoT Enterprise LTSC (64 bit) Windows 11 IoT Enterprise SAC (64 bit) (Optional)
WLAN	Support
BT	Support
WWAN	4G LTE (Optional) 5G (Optional)
GNSS	GPS, GLONASS
RFID	HF RFID reader 13.56 MHz (Optional)
Sensors	Light sensor/ G-sensor / Gyro
Camera	
Front Camera	2MP Front Camera
Rear Camera	8MP Rear Camera with auto-focus and LED light
Mechanical	
Dimension	300.67 x 201.97 x 22.5 mm
Weight	1.5 kg (3.3 lbs) with standard battery
Cooling System	Fan design
IO Ports	
USB Port	1 x USB 3.0 (Type A), 1 x USB 3.0 (Type-C support Power Delivery 20V In)
SD Card Slot	1 x Micro SDXC slot
SIM Card Slot	1 x Micro SIM card slot
Video	1 x Micro HDMI (Optional)
Audio	1 x Audio combo 3.5mm audio combo jack Dual Digital Mic With Noise Cancellation
LAN	1 x RJ45-10/100/1000 GigaLAN port (Optional)
Indicator	4x LED Indicator for Power, Battery, HDD, RF status
Docking Connector	1 x 19-pin docking connector

Environment			
Operating Humidity	10% to 90% RH, non-condensing	Operating Temperature	-20°C to 60°C
Storage Temperature	-30°C to 70°C (-22°F to 158°F)	Shock	MIL-STD-810H Method 516.8 Procedure I
Vibration	MIL-STD-810H Method 514.8 Procedure I	IP rating	IP65
Drop	MIL-STD-810H Method 516.8, 4 ft	EMC	MIL-STD-461G CE101, CE102, RE101, RE102, CS118 (Default) MIL-STD-461G CS101, CS114, CS115, CS116, RS101, RS103 (Optional)

Certification	
Certification	CE, FCC

Security Function			
SOTI MobiControl	SOTI MobiControl Compliance	Kensington Lock	Kensington Lock Support

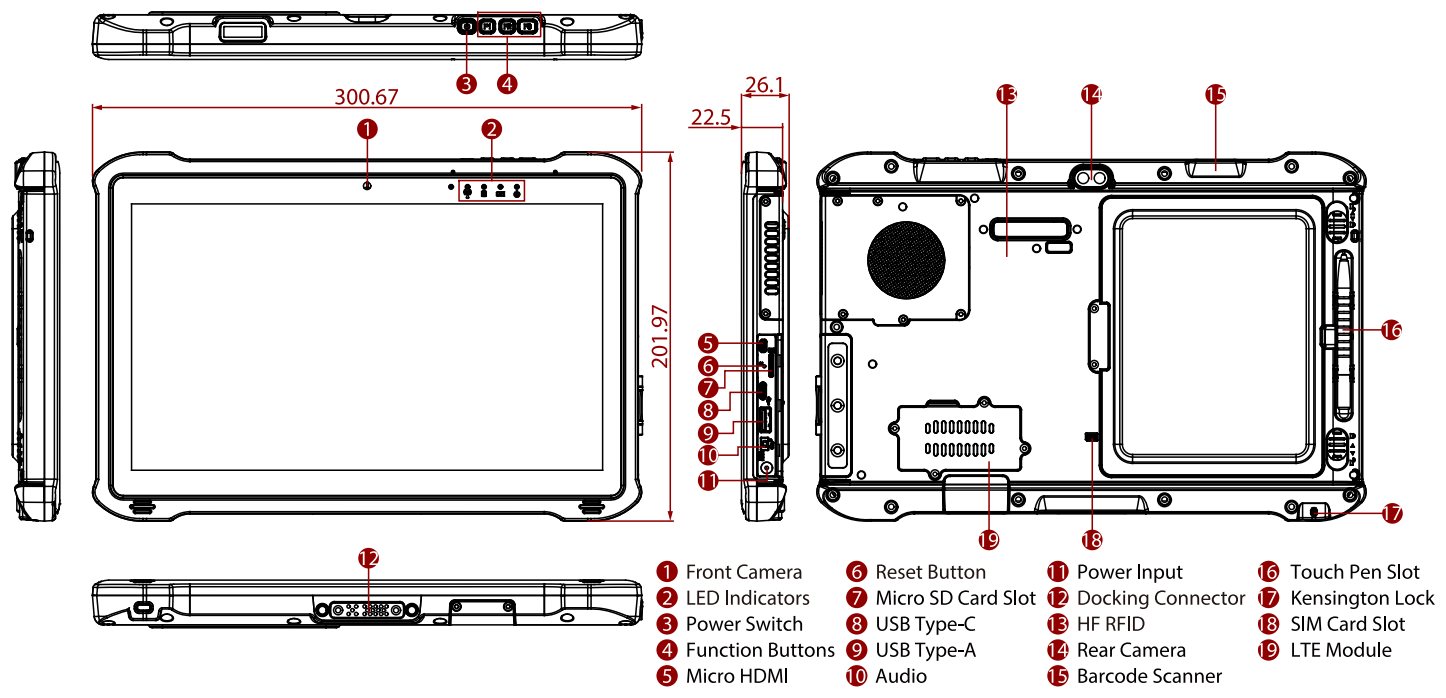
Control	
Button	1 x Power, 3 x function keys

Power			
Battery	Hot-swappable 11.55V, typ. 4558 mAh Li-Polymer Battery (3S2P)	Battery Operating Time	Standard. Battery: 8 hours
Power Rating	19V DC	Adapter	100-240V, 50-60Hz / 19V DC

Accessory			
Accessory	Adapter and Power Cord Capacitive Stylus Standard Battery	Optional Accessory	Desk Dock (Optional) Vehicle Dock (Optional) Vehicle Cradle (Optional) Vehicle Charger (Optional) High Capacity Battery (Optional) Hand Strap (Optional) Shoulder Strap (Optional) Carry Bag (Optional)

Barcode Scanner	
Barcode Scanner	1D/2D barcode reader (Optional)

DIMENSIONS UNIT:MM



NOTE

1. This is a simplified drawing and some components are not marked in detail.
2. Please contact our sales representative if you need further product information.
3. All specifications are subject to change without prior notice.
4. The product shown in this datasheet is a standard model. For diagrams that contain customized or optional I/O, please contact the Winmate Sales Team for more information.