

# W24IT3S-PTA2

## 23.8" Intel® Core™ i5-1135G7 PT Series HMI Touch Panel PC



### KEY FEATURES

- Intel® Core™ i5-1135G7 2.4 GHz (turbo to 4.2GHz) Processor
- Fanless cooling system and ultra-low power consumption
- Front IP65 for protection against water and dust
- A true flat, easy-to-clean front surface with edge-to-edge design

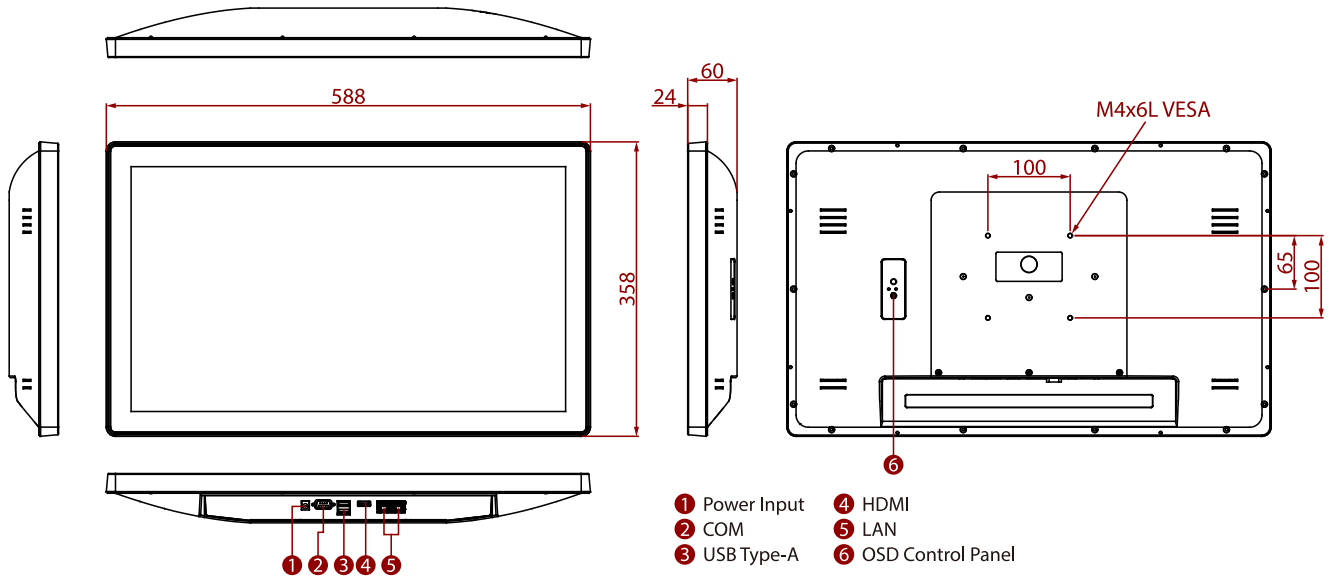


### SPECIFICATIONS

Display	
<b>Resolution</b>	1920x1080
<b>Contrast Ratio</b>	3000:1
<b>View Angles</b>	89,89,89,89
<b>Touch / Glass</b>	Projected Capacitive Multi Touch Screen
<b>Size</b>	23.8 inches
<b>Panel Brightness</b>	250.0 nits
<b>Active Area</b>	527.04x296.46 mm
System Specification	
<b>Processor</b>	Intel Core i5-1135G7 2.4GHz (up to 4.2GHz)
<b>Memory</b>	1 x SO-DIMM, DDR4 3200 MHz, 4GB 8GB (Optional) 16GB (Optional) 32GB (Optional)
<b>Storage</b>	1 x M.2 2280 M-Key NVMe SSD 128GB 256GB (Optional) 512GB (Optional) 1TB (Optional) 2TB (Optional) 4TB (Optional) 1 x SATA III for 2.5" SSD/HDD up to 2TB (Optional)
<b>Ethernet controller</b>	2 x Intel® Ethernet Controller
<b>Security</b>	TPM 2.0
<b>Operating System</b>	Windows 11 IoT Enterprise (64 bit) (Optional) Windows 11 Pro 64 bit (Optional) Windows 10 IoT Enterprise (64 bit) (Optional) Linux Ubuntu 22.04 (Optional)
Environment	
<b>Operating Humidity</b>	10% to 90% RH, Non-Condensing
<b>Operating Temperature</b>	0°C to 50°C
<b>Storage Temperature</b>	-10°C to 60°C
<b>IP rating</b>	Front IP65
Certification	
<b>Certification</b>	CE, FCC
Mechanical	
<b>Dimension</b>	588 x 358 x 60 mm
<b>Mounting</b>	VESA Mount
<b>Enclosure</b>	Plastic
<b>Cooling System</b>	Fanless Design
IO Ports	
<b>USB Port</b>	2 x USB 3.2
<b>Serial Port</b>	1 x RS232/422/485 (Default RS232)
<b>Video</b>	1 x HDMI (Optional)
<b>Audio</b>	2 x Speaker
<b>LAN</b>	2 x RJ45

<b>Power</b>	
<b>Power Rating</b>	12V DC in
<b>Control</b>	
<b>Button</b>	1 x Power Button 1 x Reset Button

**DIMENSIONS** UNIT:MM



**NOTE**

- 1.This is a simplified drawing and some components are not marked in detail.
- 2.Please contact our sales representative if you need further product information.
- 3.All specifications are subject to change without prior notice.
- 4.The product shown in this datasheet is a standard model.For diagrams that contain customized or optional I/ O, please contact the Winmate Sales Team for more information.