

# W15IB3S-PTA3

## 15.6" Intel® Celeron® N2930 touch panel computers



### KEY FEATURES

- 15.6" 1920 x 1080 with PCAP touch panel computers
- Intel® Celeron® N2930 1.83 GHz
- Fanless cooling system and ultra low power consumption
- Front IP65 for protection against water and dust
- Plastic housing
- A true flat, easy-to-clean front surface with edge-to-edge design



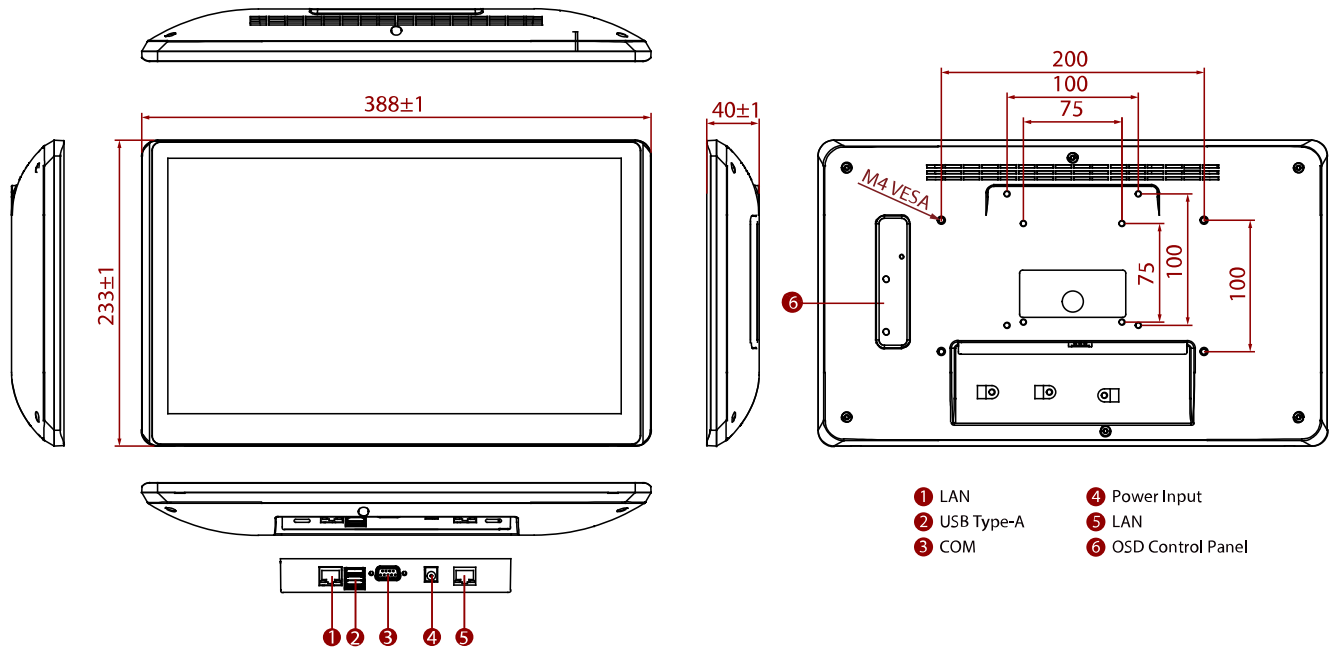
### SPECIFICATIONS

Display			
<b>Touch / Glass</b>	Projected Capacitive Multi Touch Screen	<b>Resolution</b>	1920x1080
<b>Size</b>	15.6 inches	<b>Contrast Ratio</b>	800:1
<b>Panel Brightness</b>	400 nits	<b>View Angles</b>	85,85,85,85
<b>Active Area</b>	344.16x193.59 mm		
System Specification			
<b>Processor</b>	Intel Celeron N2930 1.83GHz (up to 2.16GHz)	<b>Memory</b>	1 x SO-DIMM, DDR3L 1600 MHz, 4GB 8GB (Optional)
<b>Storage</b>	1 x M.2 2242 B-key SSD 128GB. M.2 2242 B-key SSD up to 512GB. (Optional)	<b>Ethernet controller</b>	2 x Intel® Ethernet Controller
<b>Operating System</b>	Windows 10 IoT Enterprise (64 bit) (Optional) Linux Ubuntu 20.04 (Optional)		
Environment			
<b>Operating Humidity</b>	10% to 90% RH, Non-Condensing	<b>Operating Temperature</b>	0°C to 50°C
<b>Storage Temperature</b>	-10°C to 60°C	<b>IP rating</b>	Front IP65
Certification			
<b>Certification</b>	CE, FCC		
Mechanical			
<b>Dimension</b>	388 x 233 x 40 mm	<b>Mounting</b>	VESA Mount
<b>Enclosure</b>	Plastic	<b>Cooling System</b>	Fanless Design
IO Ports			
<b>USB Port</b>	1 x USB 3.0 1 x USB 2.0	<b>Serial Port</b>	1 x RS232(Default)/422/485
<b>Audio</b>	2 x Speaker	<b>LAN</b>	2 x RJ45-10/100/1000 Mbps
<b>Indicator</b>	Power LED Indicator		
Accessory			
<b>Accessory</b>	Quick Start Guide(Hardcopy) AC Adapter 12V/50W Power Cord		
Power			

<b>Power Rating</b>	12V DC in
<b>Control</b>	

<b>Button</b>	1 x Power Button 1 x Reset Button
---------------	--------------------------------------

**DIMENSIONS** UNIT:MM



**NOTE**

1. This is a simplified drawing and some components are not marked in detail.
2. Please contact our sales representative if you need further product information.
3. All specifications are subject to change without prior notice.
4. The product shown in this datasheet is a standard model. For diagrams that contain customized or optional I/O, please contact the Winmate Sales Team for more information.