

R15IB3S-PTC3

15" Intel® Celeron® N2930 computer panel



KEY FEATURES

- 15" 1024 x 768 with PCAP touchscreen, computer panel
- Low power consumption with Intel® Celeron® N2930, 1.83 GHz
- Fanless cooling system and ultra-low power consumption
- Front IP65 for protection against water and dust
- A true flat, easy-to-clean front surface with edge-to-edge design
- Optional for Glass

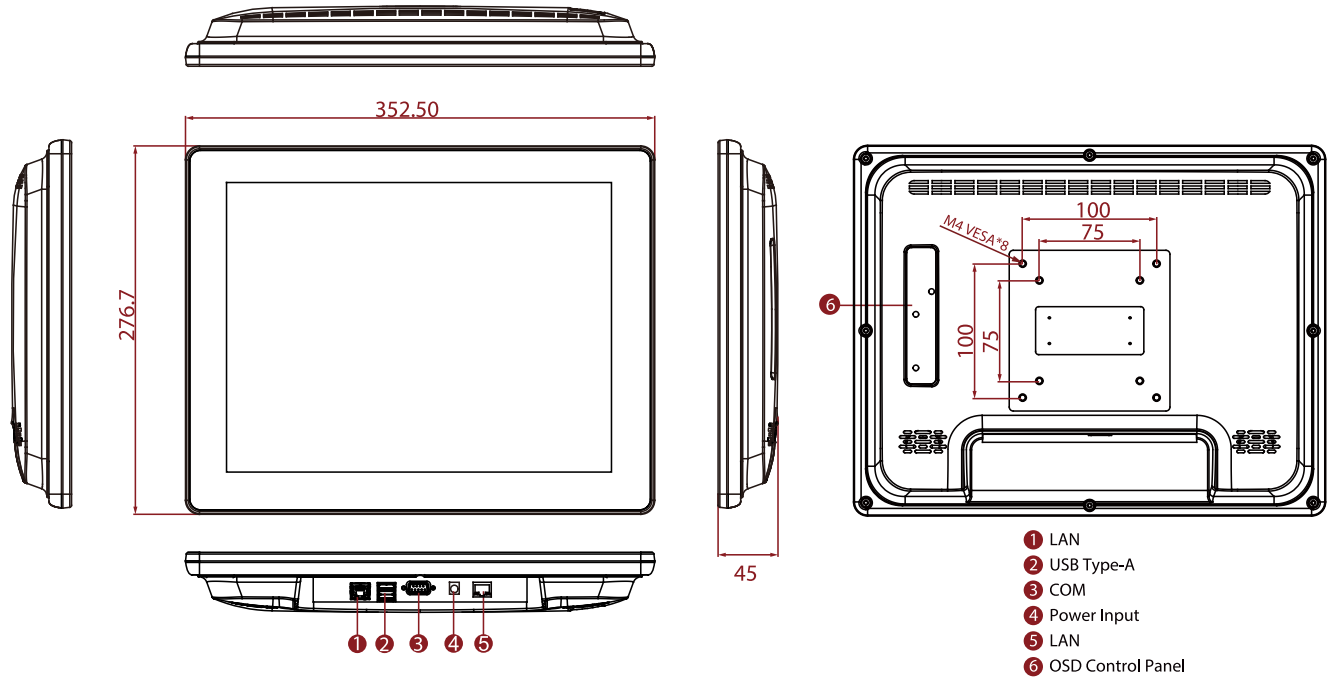


SPECIFICATIONS

Display			
Resolution	1024x768	Size	15 inches
Contrast Ratio	2000:1	Panel Brightness	300 nits
View Angles	88,88,88,88	Active Area	304.1x228.1 mm
Touch / Glass	Projected Capacitive Multi Touch Screen Anti-glare Coating (Optional)		
System Specification			
Processor	Intel Celeron N2930 1.83GHz (up to 2.16GHz)	Memory	1 x SO-DIMM, DDR3L 1600 MHz, 4GB 8GB (Optional)
Storage	1 x M.2 2242 B-key SSD 128GB. M.2 2242 B-key SSD up to 512GB. (Optional)	Ethernet controller	2 x Intel® Ethernet Controller
Operating System	Windows 10 IoT Enterprise (64 bit) (Optional) Linux Ubuntu 20.04 (Optional)		
Environment			
Operating Humidity	10% to 90% RH, Non-Condensing	Operating Temperature	0°C to 50°C
Storage Temperature	-10°C to 60°C	IP rating	Front IP65
Certification			
Certification	CE, FCC		
Mechanical			
Dimension	352.5 x 276.7 x 45 mm	Weight	2.41 kg
Mounting	VESA Mount	Enclosure	Plastic
Cooling System	Fanless Design		
IO Ports			
USB Port	1 x USB 3.0 1 x USB 2.0	Serial Port	1 x RS232(Default)/422/485
Audio	2 x Speaker	LAN	2 x RJ45-10/100/1000 Mbps
Indicator	Power LED Indicator		
Accessory			
Accessory	Quick Start Guide(Hardcopy) AC Adapter 12V/50W		

Power	
Power Rating	12V DC in
Control	
Button	1 x Power Button 1 x Reset Button

DIMENSIONS UNIT:MM



NOTE

1. This is a simplified drawing and some components are not marked in detail.
2. Please contact our sales representative if you need further product information.
3. All specifications are subject to change without prior notice.
4. The product shown in this datasheet is a standard model. For diagrams that contain customized or optional I/O, please contact the Winmate Sales Team for more information.