

R15IE3S-PCC3-POE

15" Intel® Celeron® N6211 S Series HMI Panel PC



KEY FEATURES

- 15" 1024 x 768 300nits Panel with PCAP multi-touch screen
- Intel® Celeron® Elkhart Lake N6211 Processor
- Fanless cooling system and ultra-low power consumption
- Dual 2.5 Gigabit Ethernet
- Front IP65 water and dust proof
- Optional 2 MP Front Camera
- Optional HF RFID Reader
- Support PoE function
- Stylish design for room booking, access control and room information applications

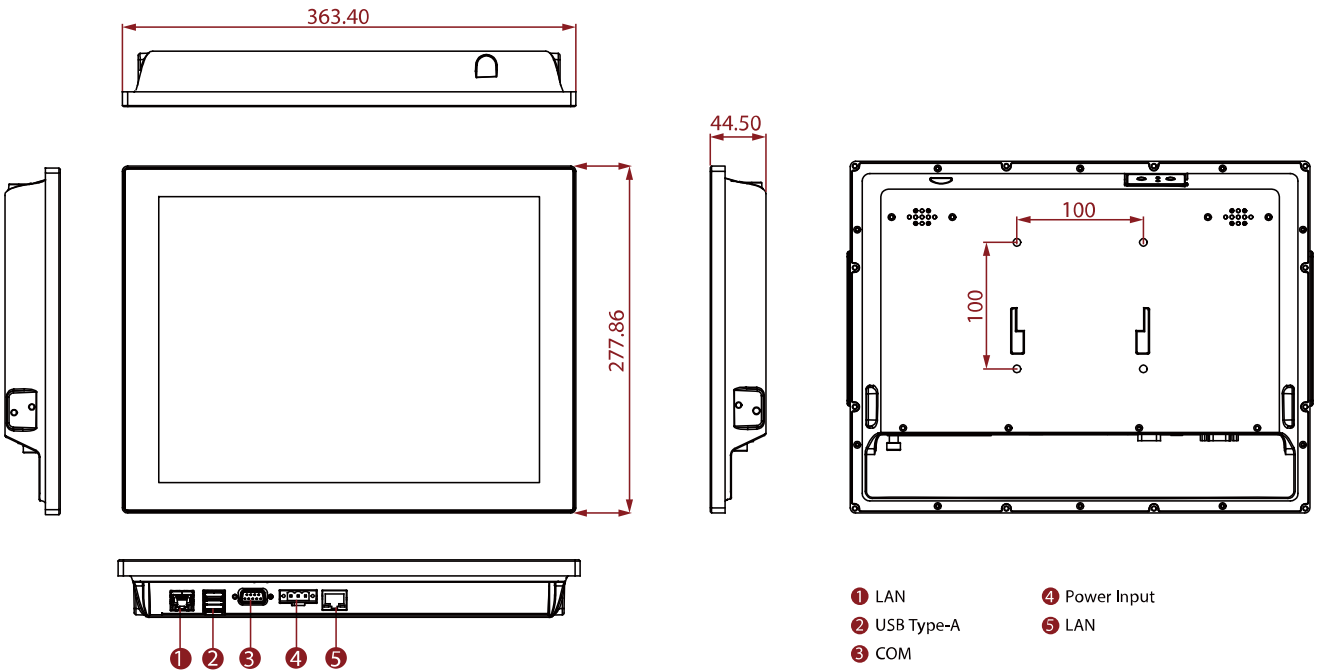


SPECIFICATIONS

Display			
Resolution	1024x768	Size	15.0 inches
Contrast Ratio	2000:1	Panel Brightness	300.0 nits
View Angles	88,88,88,88	Active Area	304.1x228.1 mm
Touch / Glass	Projected Capacitive Multi Touch Screen		
System Specification			
WLAN	Support (Optional)	BT	Support (Optional)
RFID	HF RFID Reader 13.56 MHz (Optional)	Processor	Intel® Celeron® N6211 (up to 3.0GHz) Intel® Celeron® N6210 (up to 2.6GHz) (Optional)
Memory	1 x SO-DIMM, DDR4 3200 MHz, 4GB 8GB (Optional) 16GB (Optional)	Storage	1 x M.2 2242 B-Key SSD 128GB 256GB (Optional) 512GB (Optional)
Ethernet controller	2 x Intel® Ethernet Controller	Security	TPM 2.0
Operating System	Windows 11 IoT Enterprise (64 bit) (Optional) Windows 11 Pro 64 bit (Optional) Windows 10 IoT Enterprise (64 bit) (Optional) Linux Ubuntu 22.04 (Optional)		
Mechanical			
Dimension	363.4 x 277.86 x 44.5 mm	Weight	3.5 kg
Mounting	Wall mount VESA Mount	Enclosure	nan
Cooling System	Fanless design	Cut out	346.5x261mm
Environment			
Operating Humidity	10% to 90% RH, Non-Condensing	Operating Temperature	0°C to 50°C
Storage Temperature	-10°C to 60°C	IP rating	Front IP65
Certification			
Certification	CE, FCC		
IO Ports			
Power Input	1 x 12V DC, 3-Pin Terminal Block	USB Port	2 x USB3.2 Gen1x1 (Type-A)

Serial Port	1 x RS232/422/485 (Default RS232)	Video	1 x Micro HDMI (Optional)
Audio	1 x Speaker	Expansion Port	1 x M.2 2242 B-key Slot (for SATA III SSD) 1 x M.2 2230 E-Key Slot (for Wi-Fi module)
LAN	2 x Giga LAN RJ45 Connector, One with PoE(PD, 802.3at, 25W)(Optional)		
Accessory			
Accessory	100~240V AC to DC Adapter Power Cord Terminal Block to 2.5Ø Female Adapter Cable Open Wire Cable with terminal block connector VESA screws	Optional Accessory	VESA Wall Mount (Optional) VESA Desk Stand (Optional) Glass Wall Mount Kit (Optional) Front Side Wall Mount (Optional) VESA bracket mounting kit (Optional)
Power			
Power Rating	12V DC 9~36V (Optional)	Adapter	12V 50W
POE	PoE (PD): follows IEEE 802.3at (25 W)		

DIMENSIONS UNIT:MM



NOTE

1. Measured at dimming LCD brightness. Varies depending on the usage conditions, or when an external device is attached.
2. Total usable memory will be less dependent upon actual system configuration.
3. Length measurements do not include protrusions. Weight varies with options.
4. This is a simplified drawing and some components are not marked in detail.
5. The product shown in this datasheet is a standard model. For diagrams that contain customized or optional I/O, please contact the Winmate Sales Team for more information.
6. All specifications are subject to change without prior notice.