

W07IQ3S-PCT1AC-POE

7" Qualcomm Snapdragon™ 660 S Series HMI Panel PC



KEY FEATURES

- 7" 1024 x 600 Resolution with Projected Capacitive Multi-Touch (P-CAP)
- Fanless cooling system and ultralow power consumption
- Support PoE function
- Optional 2MP Front Camera
- Optional HF RFID Reader
- Stylish design for room booking, access control, and room information applications
- Front IP65 Water and Dust Proof
- Built-in RGB LED Light Bar Indicator



SPECIFICATIONS

Display			
Resolution	1024x600	Size	7.0 inches
Contrast Ratio	1000:1	Panel Brightness	320.0 nits
View Angles	75,75,75,70	Active Area	153.6x90 mm
Touch / Glass	Projected Capacitive Multi Touch Screen		
System Specification			
WLAN	Support (Optional)	BT	Support (Optional)
RFID	HF RFID Reader 13.56 MHz (Optional)	Light Bar	Built-in RGB LED Status Light Bar, on both sides
Processor	Qualcomm® Snapdragon™ 660 (Octa-Core 2.2 GHz)	Memory	3GB LPDDR4
Storage	eMMC: Onboard 32 GB	Operating System	Android 9.0
Mechanical			
Dimension	189.4 x 145.4 x 36.1 mm	Weight	1.0 kg
Mounting	Panel mount VESA Mount	Enclosure	Metal Housing
Cooling System	Fanless Design	Cut out	175.5x131.5mm
Environment			
Operating Humidity	10% to 90% RH, Non-Condensing	Operating Temperature	0°C to 50°C
Storage Temperature	-20°C to 60°C	Shock	MIL-STD-810G Method 516.6 Procedure I
Vibration	MIL-STD-810G Method 514.6 Procedure I	IP rating	Front IP65
Certification			
Certification	CE, FCC		
IO Ports			
USB Port	2 x USB 2.0 (Type A), 1 x USB 3.0 (Type-C)	Serial Port	1 x RS232/422/485 (Default RS232)
SD Card Slot	1 x Micro SD card slot	Video	1 x Micro HDMI (Optional)
Audio	1 x Speaker	LAN	1 x LAN PoE at/af

Accessory

Accessory	100~240V AC to DC Adapter Power Cord Terminal Block to 2.5Ø Female Adapter Cable Open Wire Cable with terminal block connector Manual VESA screws
------------------	--

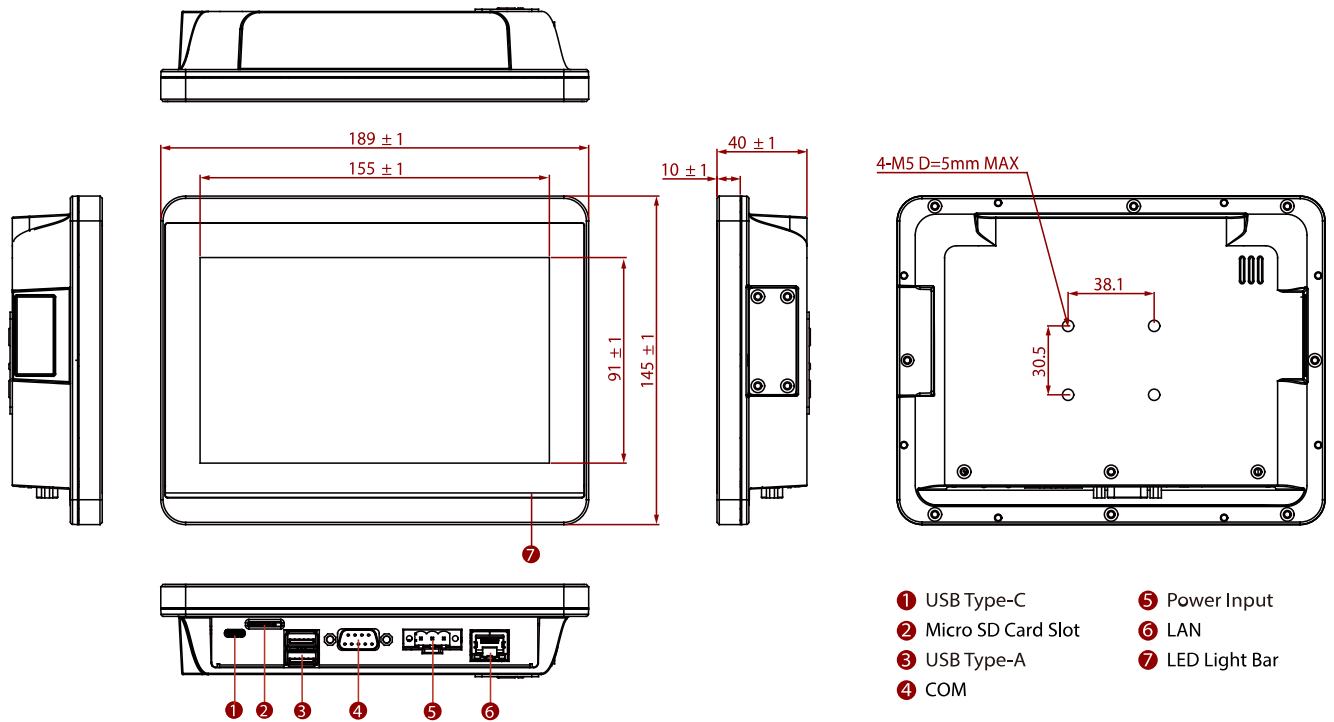
Power

Power Rating	12V DC with Terminal Block	Adapter	12V 50W
POE	PoE (PD): follows IEEE 802.3at (25 W)		

Camera

Front Camera	2MP Camera (Optional)
---------------------	-----------------------

DIMENSIONS UNIT:MM



NOTE

1. This is a simplified drawing and some components are not marked in detail.
2. Please contact our sales representative if you need further product information.
3. All specifications are subject to change without prior notice.
4. The product shown in this datasheet is a standard model. For diagrams that contain customized or optional I/O, please contact the Winmate Sales Team for more information.