

W07IQ3S-PC01-POE

7" Qualcomm Snapdragon™ 660 S Series HMI Panel PC



KEY FEATURES

- 7" 1024 x 600 Resolution with Projected Capacitive Multi-Touch (P-CAP)
- Fanless cooling system and ultralow power consumption
- Support PoE function
- Optional 2MP Front Camera
- Optional HF RFID Reader
- Stylish design for room booking, access control, and room information applications
- Front IP65 Water and Dust Proof



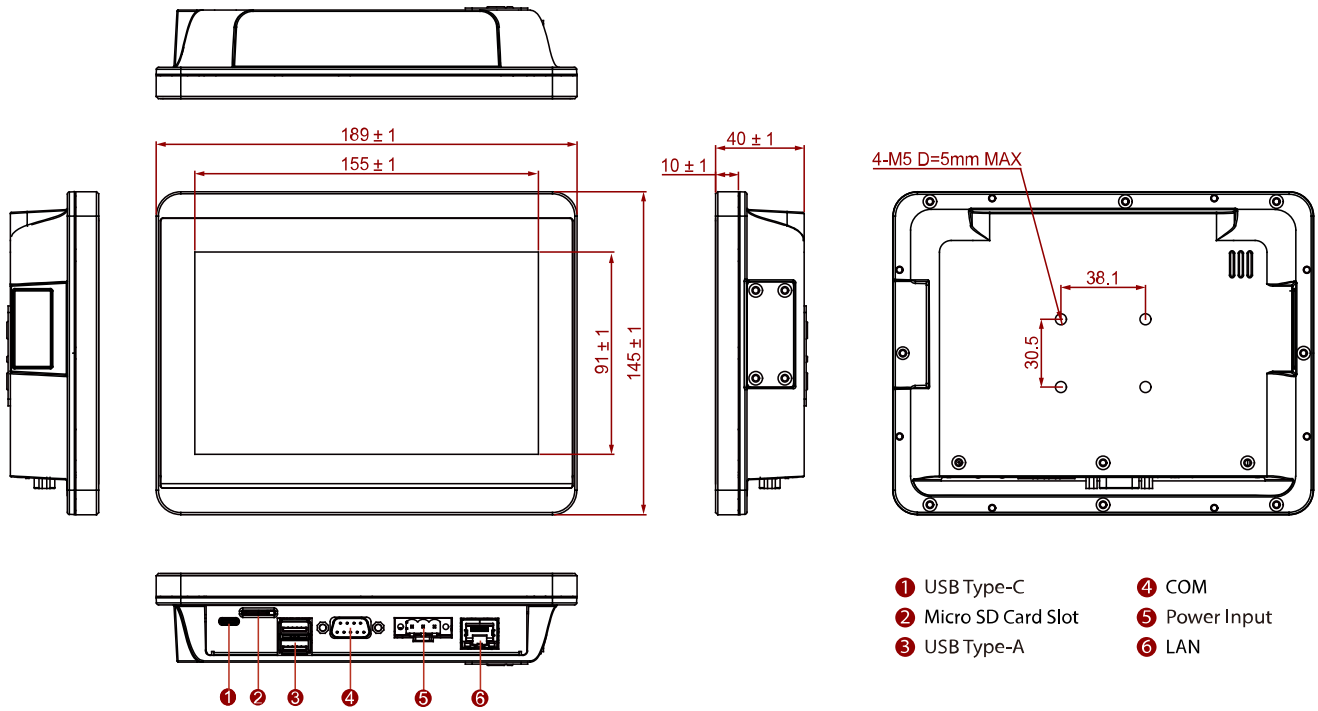
SPECIFICATIONS

Display			
Resolution	1024x600	Size	7.0 inches
Contrast Ratio	700:1	Panel Brightness	1000.0 nits
View Angles	75,75,75,70	Active Area	153.6x90 mm
Touch / Glass	Projected Capacitive Multi Touch Screen		
System Specification			
WLAN	Support (Optional)	BT	Support (Optional)
RFID	HF RFID Reader 13.56 MHz (Optional)	Processor	Qualcomm® Snapdragon™ 660 (Octa-Core 2.2 GHz)
Memory	3GB LPDDR4	Storage	eMMC: Onboard 32 GB
Operating System	Android 9.0		
Mechanical			
Dimension	189.4 x 145.4 x 36.1 mm	Weight	1.0 kg
Mounting	Panel mount VESA Mount	Enclosure	Metal Housing
Cooling System	Fanless Design	Cut out	175.5x131.5mm
Environment			
Operating Humidity	10% to 90% RH, Non-Condensing	Operating Temperature	0°C to 50°C
Storage Temperature	-20°C to 60°C	Shock	MIL-STD-810G Method 516.6 Procedure I
Vibration	MIL-STD-810G Method 514.6 Procedure I	IP rating	Front IP65
Certification			
Certification	CE, FCC		
IO Ports			
USB Port	2 x USB 2.0 (Type A), 1 x USB 3.0 (Type-C)	Serial Port	1 x RS232/422/485 (Default RS232)
SD Card Slot	1 x Micro SD card slot	Video	1 x Micro HDMI (Optional)
Audio	1 x Speaker	LAN	1 x LAN PoE at/af
Accessory			

Accessory	100~240V AC to DC Adapter Power Cord Terminal Block to 2.5Ø Female Adapter Cable Open Wire Cable with terminal block connector Manual VESA screws
------------------	--

Power			
Power Rating	12V DC with Terminal Block	Adapter	12V 50W
POE	PoE (PD): follows IEEE 802.3at (25 W)		
Camera			
Front Camera	2MP Camera (Optional)		

DIMENSIONS UNIT:MM



NOTE

1. This is a simplified drawing and some components are not marked in detail.
2. The product shown in this datasheet is a standard model. For diagrams that contain customized or optional I/O, please contact the Winmate Sales Team for more information.
3. All specifications are subject to change without prior notice.