

W07IB3S-PCT1AC-POE

7" Intel® Celeron® N2930 S Series HMI Panel PC



KEY FEATURES

- 7" 1024x600 resolution, Projected Capacitive Multi-Touch (PCAP)
- Fanless cooling system and ultra-low power consumption
- Dual Gigabit Ethernet
- RGB LED Light Bar
- Front IP65 and full IP22 ratings
- Optional 2MP Front Camera
- Optional HF RFID Reader
- Support PoE function
- Stylish design for room booking, access control and room information applications

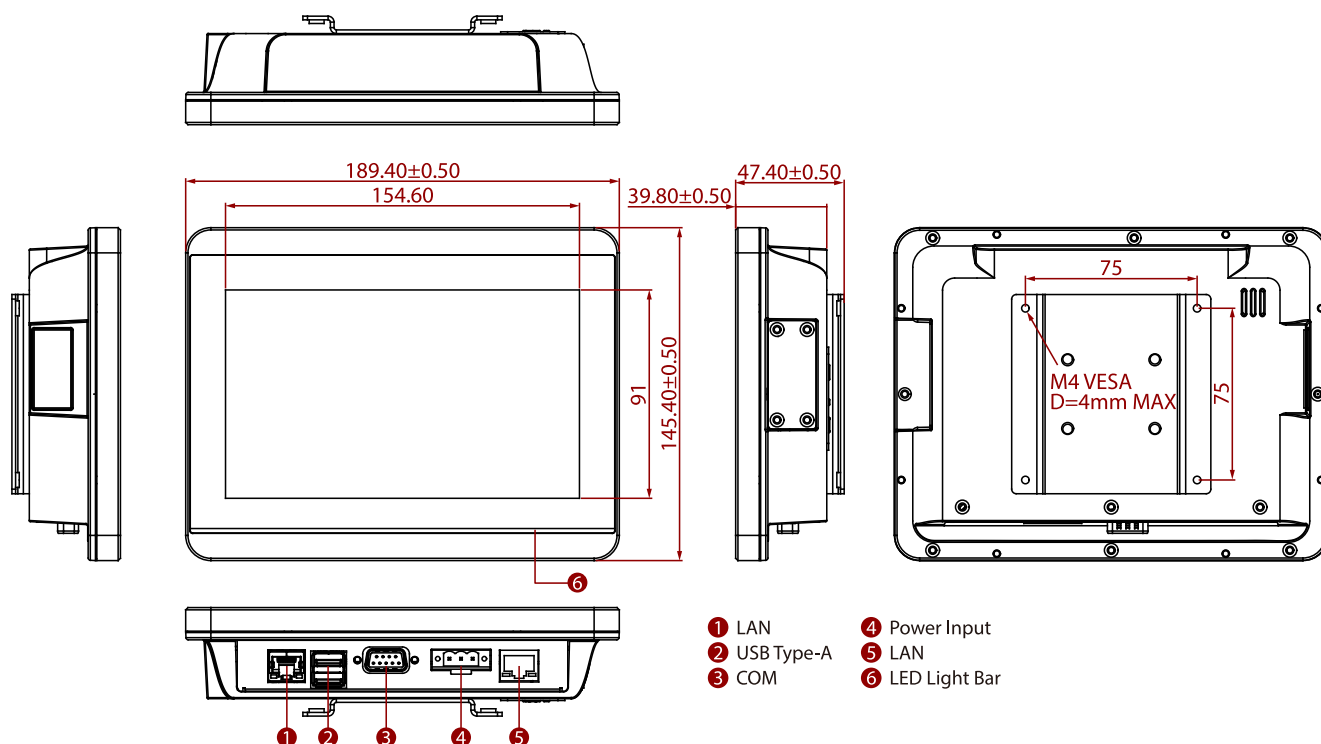


SPECIFICATIONS

Display			
Resolution	1024x600	Size	7.0 inches
Contrast Ratio	1000:1	Panel Brightness	320.0 nits
View Angles	75,75,75,70	Active Area	153.6x90 mm
Touch / Glass	Projected Capacitive Multi Touch Screen		
System Specification			
Processor	Intel Celeron N2930 1.83GHz (up to 2.16GHz)	Memory	1 x SO-DIMM, DDR3L 1600 MHz, 4GB 8GB (Optional)
Storage	1 x M.2 2242 B-key SSD 128GB 256GB (Optional) 512GB (Optional)	Ethernet controller	2 x Intel® Ethernet Controller
Operating System	Windows 10 IoT Enterprise (64 bit) (Optional) Linux Ubuntu 20.04 (Optional)	WLAN	Support (Optional)
BT	Support (Optional)	RFID	HF RFID Reader 13.56 MHz (Optional)
Light Bar	Built-in RGB LED Status Light Bar, on both sides		
Mechanical			
Dimension	189.4 x 145.4 x 39.8 mm	Weight	1.0 kg
Mounting	Wall mount VESA Mount	Enclosure	Metal Housing
Cooling System	Fanless design	Cut out	175.5x131.5mm
Environment			
Operating Humidity	10% to 90% RH, Non-Condensing	Operating Temperature	0°C to 50°C
Storage Temperature	-10°C to 60°C	IP rating	Front IP65
Certification			
Certification	CE, FCC		
IO Ports			
Power Input	1 x 12V DC, 3-Pin Terminal Block	USB Port	1 x USB3.2 Gen1x1 (Type-A) 1 x USB2.0 (Type-A)

Serial Port	1 x RS232/422/485 (Default RS232)	Audio	1 x Speaker
Expansion Port	1 x M.2 2242 B-key Slot (for SATA II SSD) 1 x M.2 2230 E-Key Slot (for Wi-Fi module)	LAN	2 x Giga LAN RJ45 Connector, One with PoE(PD, 802.3at)(Optional)
Accessory			
Accessory	100~240V AC to DC Adapter Power Cord Terminal Block to 2.5Ø Female Adapter Cable Open Wire Cable with terminal block connector VESA screws	Optional Accessory	VESA Wall Mount (Optional) VESA Desk Stand (Optional) Glass Wall Mount Kit (Optional) Front Side Wall Mount (Optional) VESA bracket mounting kit (Optional)
Power			
Power Rating	12V DC 10~60V (Optional)	Adapter	12V 50W
POE	PoE (PD): follows IEEE 802.3at (25 W)		

DIMENSIONS UNIT:MM



NOTE

1. This is a simplified drawing and some components are not marked in detail.
2. The product shown in this datasheet is a standard model. For diagrams that contain customized or optional I/O, please contact the Winmate Sales Team for more information.
3. All specifications are subject to change without prior notice.