

W07FA3S-PC01-POE

7" NXP i.MX6 S Series HMI Panel PC



KEY FEATURES

- 7" 1024 x 600 Resolution with Projected Capacitive Multi-Touch (PCAP)
- Fanless cooling system and ultra-low power consumption
- Support PoE
- Optional 2MP Front Camera
- Optional HF RFID Reader
- Stylish design for room booking, access control and room information applications

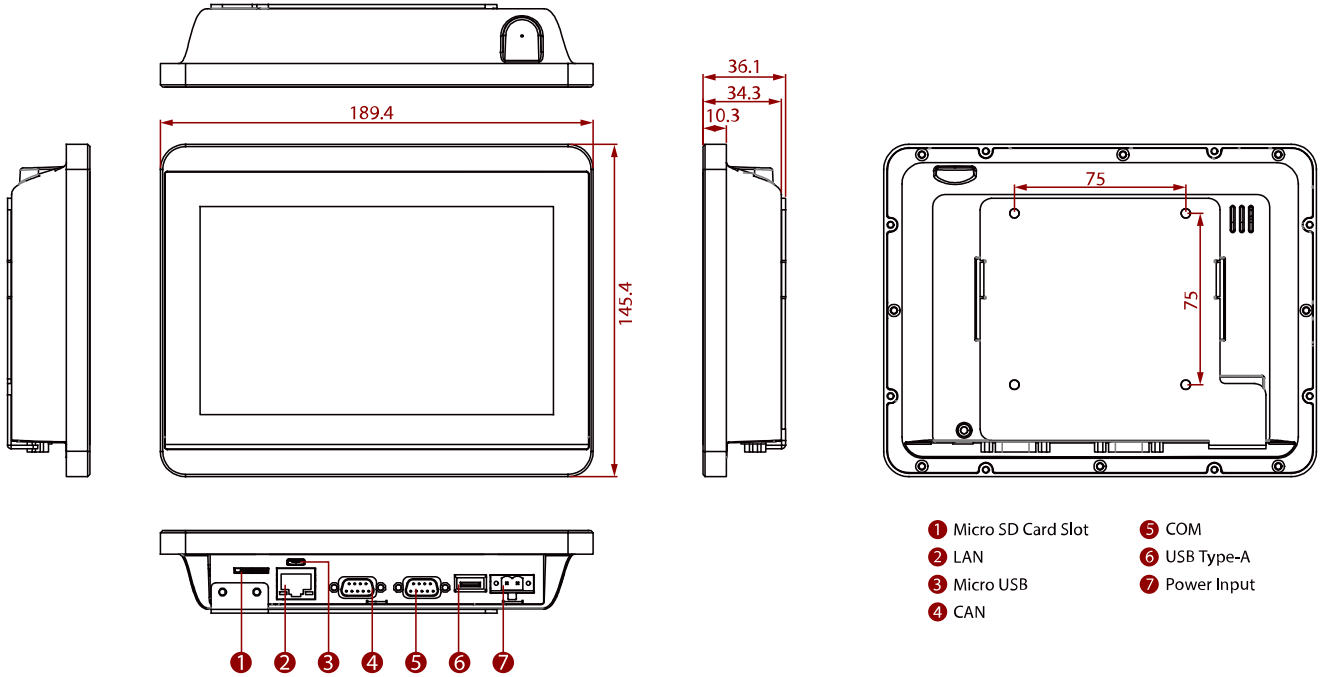


SPECIFICATIONS

Display			
Resolution	1024x600	Size	7.0 inches
Contrast Ratio	700:1	Panel Brightness	1000.0 nits
View Angles	75,75,75,70	Active Area	153.6x90 mm
Touch / Glass	Projected Capacitive Multi Touch Screen		
System Specification			
Processor	NXP i.MX6 Dual Core, 1.0GHz	Memory	1GB 2GB (Optional)
Storage	eMMC: Onboard 16 GB eMMC: Onboard 32 GB (Optional)	Operating System	Linux Ubuntu 18.04 (Optional) Android 6.0 (Optional) Debian 7.0 (Optional) Linux 4.1.15 QT 5.5 (Optional)
WLAN	Support (Optional)	BT	Support (Optional)
RFID	HF RFID Reader 13.56 MHz (Optional)		
Mechanical			
Dimension	189.4 x 145.4 x 36.1 mm	Weight	1.0 kg
Mounting	Wall mount VESA Mount	Enclosure	Metal Housing
Cooling System	Fanless design	Cut out	175.5x131.5mm
Environment			
Operating Humidity	10% to 90% RH, Non-Condensing	Operating Temperature	0°C to 50°C
Storage Temperature	-10°C to 60°C	IP rating	Front IP65
Certification			
Certification	CE, FCC		
IO Ports			
Power Input	1 x 12V DC, 2-Pin Terminal Block	USB Port	1 x Console Port (Mini USB) 1 x USB OTG 1 x USB2.0 (Type-A)
Serial Port	1 x RS232/422/485 (Default RS232)	SD Card Slot	1 x Micro SD card slot
Video	1 x Micro HDMI (Optional)	Audio	1 x Speaker
Expansion Port	1 x mPCIe slot(for Wi-Fi module)	LAN	1 x LAN RJ45 Connector with PoE(PD, 802.3 at)

CANBUS	1 x CANBUS, D-sub9		
Accessory			
Accessory	100~240V AC to DC Adapter Power Cord Terminal Block to 2.5Ø Female Adapter Cable Open Wire Cable with terminal block connector VESA screws	Optional Accessory	VESA Wall Mount (Optional) VESA Desk Stand (Optional) Glass Wall Mount Kit (Optional) Front Side Wall Mount (Optional) VESA bracket mounting kit (Optional)
Power			
Power Rating	12V DC	Adapter	12V 50W
POE	PoE (PD): follows IEEE 802.3at (25 W)		

DIMENSIONS UNIT:MM



NOTE

1. This is a simplified drawing and some components are not marked in detail.
2. The product shown in this datasheet is a standard model. For diagrams that contain customized or optional I/O, please contact the Winmate Sales Team for more information.
3. All specifications are subject to change without prior notice.