

NETernity™ PMC942RC

Layer 2 Unmanaged Gigabit Ethernet Switch and NIC in PMC Form Factor

The NETernity™ PMC942RC is a fully integrated 8-port 10/100/1000BaseT Ethernet switch designed to support the low-cost requirements of unmanaged switch applications and converging networks. Seven of the ports are external; the eighth port appears as a NIC (Network Interface) to the host SBC to which the PMC is attached.

Why choose Abaco Systems NETernity Ethernet Switches?

Abaco Systems has a wealth of expertise in Military, Commercial and Telecommunications markets. This makes us unique in the embedded computing industry – we understand application requirements and we know communication protocols.

Our line of NETernity Ethernet Switches is unmatched. Not only is our product selection extensive, but the switches themselves

provide maximum flexibility, performance, and density. NETernity Ethernet Switches are available in a variety of form factors, interfaces, levels of ruggedness, port configurations, media support and types of management.

Fully Managed switches are Layer 2/3+ switches with control and monitoring capabilities via local or remote access. Layer 2 managed switches are switches with control and monitoring capabilities, but with the management limited to Layer 2 capabilities. These are also accessed locally or remotely. Unmanaged switches are Layer 2 switches with no operator interfacing and are designed for quick deployment in simpler applications.

Call Abaco Systems knowledgeable sales team for help in selecting the switch that best meets your application requirements.

FEATURES:

- Eight 10/100/1000BaseTX auto-negotiating ports, supports full or half duplex
- Four ports accessible from front RJ45 connectors, three ports routed to P4
- One port GigE controller appears as a Network Interface to the host
- Onboard NIC is connected to the eighth port on the switch
- Serial console signals routed to P4
- Full wire speed Layer 2 switching on all ports
- Capability to fix port Ethernet speed and duplex settings
- 4K MAC address table
- Auto address learning
- Auto address aging
- RoHS Compliant
- Wide operating temperature option -20°C to +70°C

NETernity™ PMC942RC Layer 2 Unmanaged Gigabit Ethernet Switch and NIC in PMC Form Factor

Specifications

Components

- Switch fabric: Broadcom BCM5388KPBG
- Ethernet GigE Controller is Intel PC82545GM

Form Factor

- PMC

Signalling

- +3.3V and +5V

MTBF

- 939,587 hours per 40°C Ground Benign, Controlled

Power Specifications

- Power:
 - @5V 8.2W
 - @3.3V 4.6W

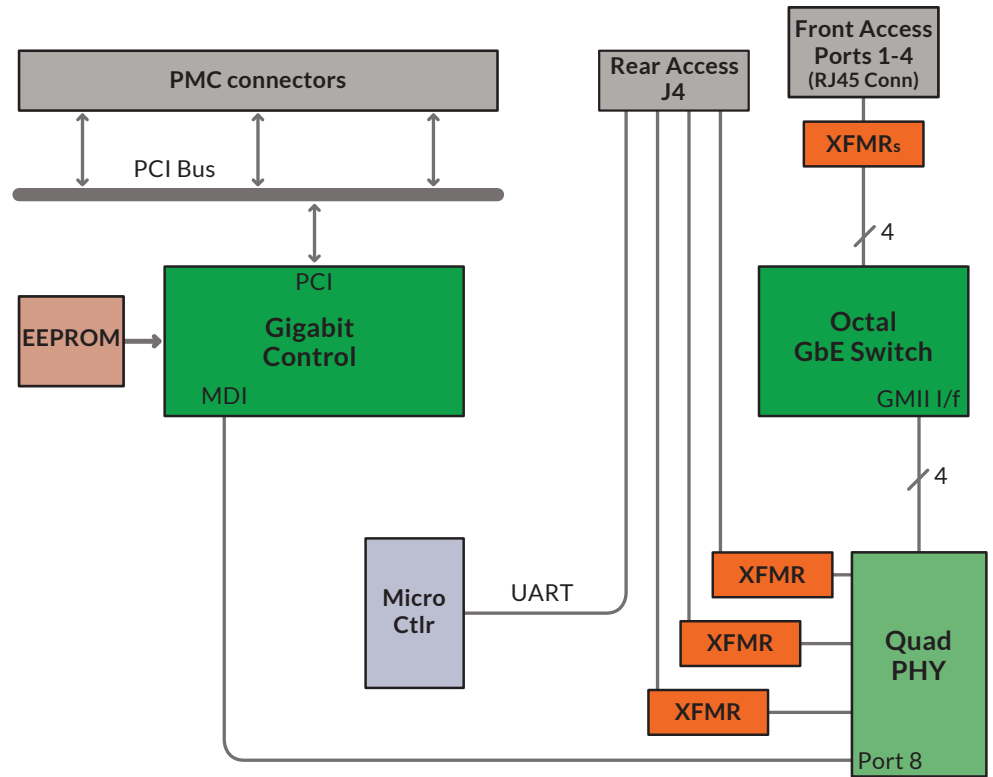
Environmental

- Temperature
 - Operating Temp: 0°C to +60°C
 - Wide Operating Temp: -20°C to +70°C
 - Storage: -40°C to +85°C
- Relative Humidity
 - Operating: 5% to 95%, noncondensing
 - Storage: 5% to 95%, noncondensing

Regulatory Compliance

- European Union (CE Mark)
 - EN55022 Class A
 - EN55024
- United States
 - FCC 47 Part 15, Class A

Block diagram



Ordering information

PMC942RC	PMC 8 port Gigabit Ethernet Switch (4 front copper, 3 rear I/O via J4) with onboard NIC
PMC942RC-WT	PMC 8 port Gigabit Ethernet Switch (4 front copper, 3 rear I/O via J4) with onboard NIC, wide operating temperature of -20°C to +70°C

WE INNOVATE. WE DELIVER. YOU SUCCEED.

Americas: 866-OK-ABACO or +1-866-652-2226 Asia & Oceania: +81-3-5544-3973

Europe, Africa, & Middle East: +44 (0) 1327-359444

Locate an Abaco Systems Sales Representative visit: abaco.com/products/sales

abaco.com @AbacoSys

©2016 Abaco Systems. All Rights Reserved. All other brands, names or trademarks are property of their respective owners. Specifications are subject to change without notice.

