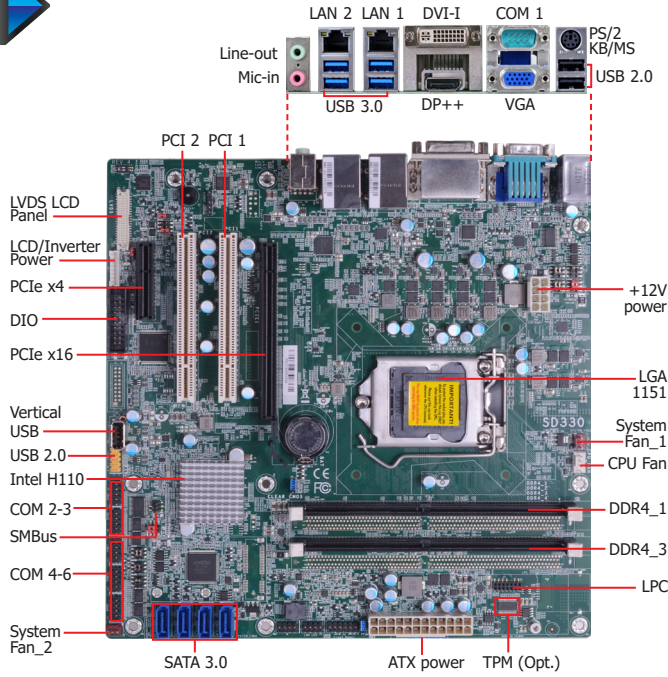


SD330-H110

Desktop

H110

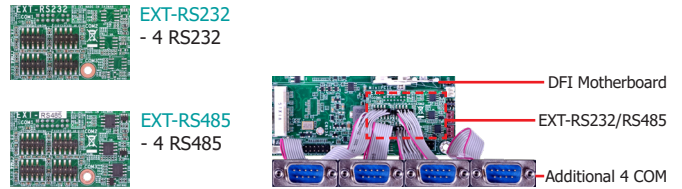


Features

- 2 DDR4 DIMM up to 32GB
- Four display ports: VGA, LVDS, DVI-I (DVI-D signal), DP++ Supports two independent displays
- DP++ resolution up to 4096x2160 @ 60Hz
Dual Channel LVDS resolution up to 1920x1200 @ 60Hz
- Multiple expansion: 1 PCIe x16, 1 PCIe x4, 2 PCI, 1 LPC
- Rich I/O: 2 Intel GbE, 6 COM, 4 USB 3.0, 5 USB 2.0
- LPC EXT-RS232/485 module supports 4 COM ports



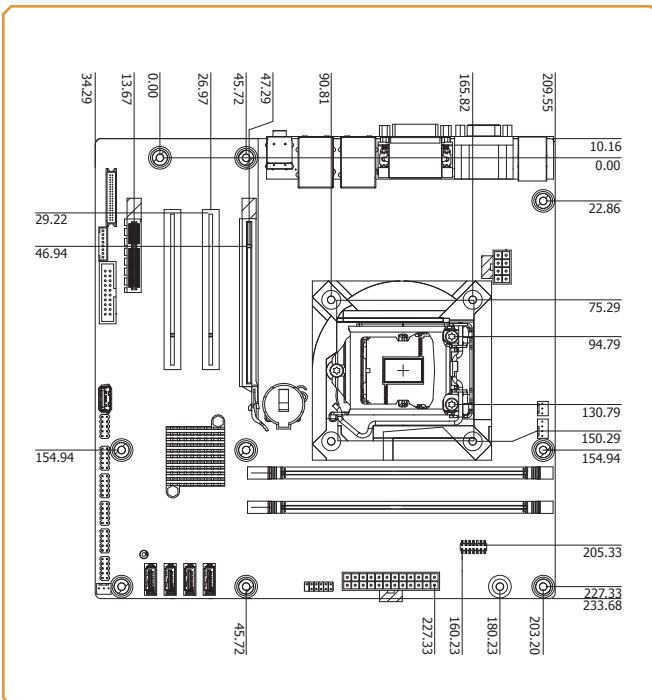
2 Extension Modules for Additional 4 COM Ports (via the LPC connector)



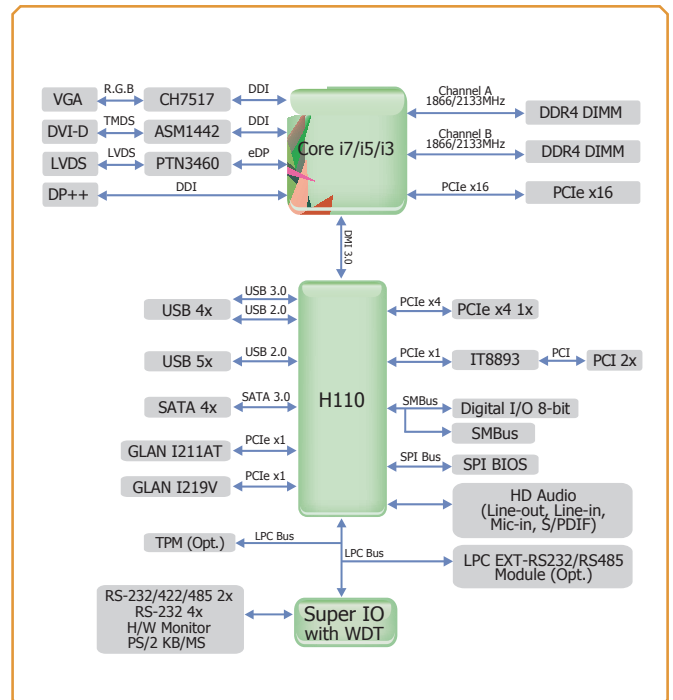
Ordering Information

Model Name	P/N	Memory	GbE	RS-232/422/485	RS-232	USB 3.0	USB 2.0	Super IO	TPM	Power	Thermal	Temp.
SD330-H110C	770-SD3304-000G	2 DIMM	2	2	4	4	5	NCT6106D	-	24-pin ATX	Active	0 to 60°C
SD330-H110C	770-SD3303-000G	2 DIMM	2	2	4	4	5	IT8786E	TPM 2.0	24-pin ATX	Active	0 to 60°C
SD330-H110C	770-SD3304-400G	2 DIMM	2	2	4	4	5	NCT6106D	TPM 1.2	24-pin ATX	Active	0 to 60°C
SD330-H110C	770-SD3304-500G	2 DIMM	2	2	4	4	5	NCT6106D	TPM 2.0	24-pin ATX	Active	0 to 60°C

Mechanical Drawing



Block Diagram



Specifications

SYSTEM	Processor	6th/7th Generation Intel® Core™ /Pentium®/Celeron® LGA 1151 Socket Processors with TDP up to 95W	
	Chipset	Intel® H110 Chipset	
	Memory	Two 288-pin DIMM up to 32GB	Dual Channel DDR4 1866/2133MHz
	BIOS	Insyde SPI 128Mbit	
GRAPHICS	Controller	Intel® HD Gen 9 Graphics	
	Feature	OpenGL 5.0, DirectX 12, OpenCL 2.1 HW Decode: AVC/H.264, MPEG2, VC1/WMV9, JPEG/MJPEG, HEVC/H265, VP8, VP9 HW Encode: MPEG2, AVC/H264, JPEG, HEVC/H265, VP8, VP9	
	Display	1 x VGA 1 x LVDS 1 x DVI-I (DVI-D signal) 1 x DP++	VGA: resolution up to 1920x1200 @ 60Hz LVDS: dual channel, resolution up to 1920x1200 @ 60Hz DVI-I: resolution up to 1920x1200 @ 60Hz DP++: resolution up to 4096x2160 @ 60Hz
	Dual Displays	VGA + LVDS VGA + DVI-I (DVI-D signal) VGA + DP++	LVDS + DVI-I (DVI-D signal) LVDS + DP++ DVI-I (DVI-D signal) + DP++
EXPANSION	Interface	1 x PCIe x16 (Gen 3) 1 x PCIe x4 (Gen 2)	2 x PCI
AUDIO	Audio Codec	Realtek ALC888S-VD2-GR	
ETHERNET	Controller	1 x Intel® I211AT PCIe (10/100/1000Mbps)	1 x Intel® I219V PCIe (10/100/1000Mbps)
REAR I/O	Ethernet	2 x GbE (RJ-45)	
	USB	4 x USB 3.0	2 x USB 2.0
	Serial	1 x RS-232/422/485 (RS-232 w/ power) (DB-9)	
	PS/2	1 x PS/2 (mini-DIN-6)	
	Display	1 x VGA 1 x DP++	1 x DVI-I (DVI-D signal)
	Audio	1 x Line-out	1 x Mic-in 1 x Line-in (opt., MOQ required)
INTERNAL I/O	Serial	1 x RS-232/422/485 (RS-232 w/ power) (2.54mm pitch) 4 x RS-232 (2.54mm pitch)	
	USB	2 x USB 2.0 (2.54mm pitch)	1 x Vertical USB 2.0 (type A)
	Audio	1 x Audio (Line-out/Mic-in) (opt., MOQ required)	1 x S/PDIF
	SATA	4 x SATA 3.0 (up to 6Gb/s)	
	DIO	1 x 8-bit DIO	
	LPC	1 x LPC (supports LPC EXT-RS232/RS485 module)	
	SMBus	1 x SMBus	
WATCHDOG TIMER	Output & Interval	System Reset, Programmable via Software from 1 to 255 Seconds	
SECURITY	TPM	Infineon TPM2.0/1.2 (opt., MOQ required)	
POWER	Type	ATX	
	Connector	8-pin ATX 12V power	24-pin ATX power
	Consumption	Idle: i5-6500 65W: 12V @ 1.4444A (17.3328W), 5V @ 0.7101A (3.550W), 3.3V @ 0.7497 (2.4740W) Max: i5-6500 65W: 12V @ 7.8570A (94.2840W), 5V @ 0.7737A (3.868W), 3.3V @ 0.7957A (2.6258W)	
	RTC Battery	CR2032 Coin Cell	
OS SUPPORT		Windows 7 32/64-bit Window 8.1 64-bit Windows 10 64-bit Linux Note: 7th Gen CPU SKU ONLY support Windows 10 64-bit & Linux.	
ENVIRONMENT	Temperature	Operating: 0 to 60°C	Storage: -40 to 85°C
	Humidity	Operating: 5 to 90% RH	Storage: 5 to 90% RH
	MTBF	365,364 hrs @ 25°C; 207,523 hrs @ 45°C; 131,395 hrs @ 60°C Calculation Model: Telcordia Issue 2, Method Case 3 Environment: GB, GC – Ground Benign, Controlled	
MECHANICAL	Dimensions	microATX form factor	244mm (9.6") x 244mm (9.6")
	Height	PCB: 1.6mm	Top Side: 38.5mm, Bottom Side: 4.4mm
CERTIFICATIONS		CE, FCC Class B, RoHS, UL	

Packing List

• 1 SD330-H110 motherboard	
• 1 COM port cable (Length: 300mm, 2 x COM ports)	A81-015026-023G
• 1 Serial ATA data cable (Length: 500mm)	332-553001-005G
• 1 I/O shield	A49-SD3300-000G

Optional Items

• USB port cable (Length: 350mm)	A81-001066-016G
• COM port cable (Length: 300mm, 2 x COM ports)	A81-015026-023G
• Serial ATA data cable (Length: 500mm)	332-553001-005G
• Thermal solution (For 35W, Height: 37.3mm)	A71-103004-000G
• Thermal solution (For 65W, Height: 74.47mm)	A71-101158-000G
• Thermal solution (For 95W, Height: 77.2mm)	761-103001-000G
• LPC EXT-RS232 module (4 x RS232 ports)	770-EXTRS1-000G
• DP to HDMI Dongle	612-D2H13M-000G