

Apacer

The Most **Reliable**
Storage For Industries

SM23D-300



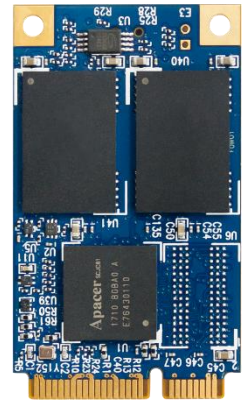
SM23D-300

Overview

Tailor-made Rugged Solutions for Defense Applications

Apacer SM23D is a series of rugged, defense-grade solid-state drives and modules specifically designed for defense applications to protect highly sensitive data.

Incorporating hardware-based AES 256-bit encryption and Smart Read Refresh™, Apacer SM23D-300 not only offers high performance, reliability and data security, but also extends the expected operational lifetime multiplied by Global Wear Leveling. Data integrity and stability of data transmission can be further guaranteed by Power Failure Management, ensuring that products are protected from power disruptions and can function smoothly even in harsh environments thanks to extensive testing.



Multiple Protection Technologies that Safeguard Sensitive Data

In addition to the aforementioned built-in implementations, Apacer SM23D-300 provides a wide range of optional solutions and cutting-edge technologies featuring multiple approaches to protection, including TCG Opal 2.0/SED, Instant Keychange™, MIL Erase, Digital Destruction and Write Protect. These security features can be triggered either via software or hardware methods, except TCG Opal 2.0 which can only be activated via software commands. With these technologies available for employment, mission-critical data is safeguarded against unauthorized access at all times and no data will be compromised as Apacer SM23D-300 adheres to military compliance standards.

Withstood 8 Tough US DoD Military Standard Tests

Apacer SM23D-300 is a combination of the latest firmware, software and hardware technologies that guarantee that defense solutions are perfectly customized and engineered for customers' requirements. The US Department of Defense has a complex series of military standards. The SM23D defense series has passed their tests that cover:

1. **Shock**
2. **Vibration:** Reaches the highest requirements of MIL-STD 810G 514.6 for Fixed Wing Jet Aircraft.
3. **Humidity**
4. **High/Low Temp.**
5. **Thermal Shock:** Exposes components to high and low temperatures that cycle rapidly.
6. **Altitude:** Simulates the effects of high pressure in an aircraft flying at 80,000 feet.
7. **Salt Fog:** Uses a five percent salt spray to simulate accelerated corrosion in a relatively slow airflow environment.
8. **8. Radiation:** Simulates the full-spectrum interference environment that heat and sunlight can create.



Shock

MIL-STD-202G MIL-STD-883K

Vibration

MIL-STD-810G

Humidity

MIL-STD-810G
Method 507.5

High/ Low Temp.

MIL-STD-810G Method 501.5
MIL-STD-810G Method 502.5

Thermal Shock

MIL-STD-810G Method 503.5
Procedure I-C

Altitude

MIL-STD-810G
Method 500.5

Salt fog

MIL-STD-810G
Method 509.5

Radiation Test

MIL-STD-810G Method 505.5
procedur 2

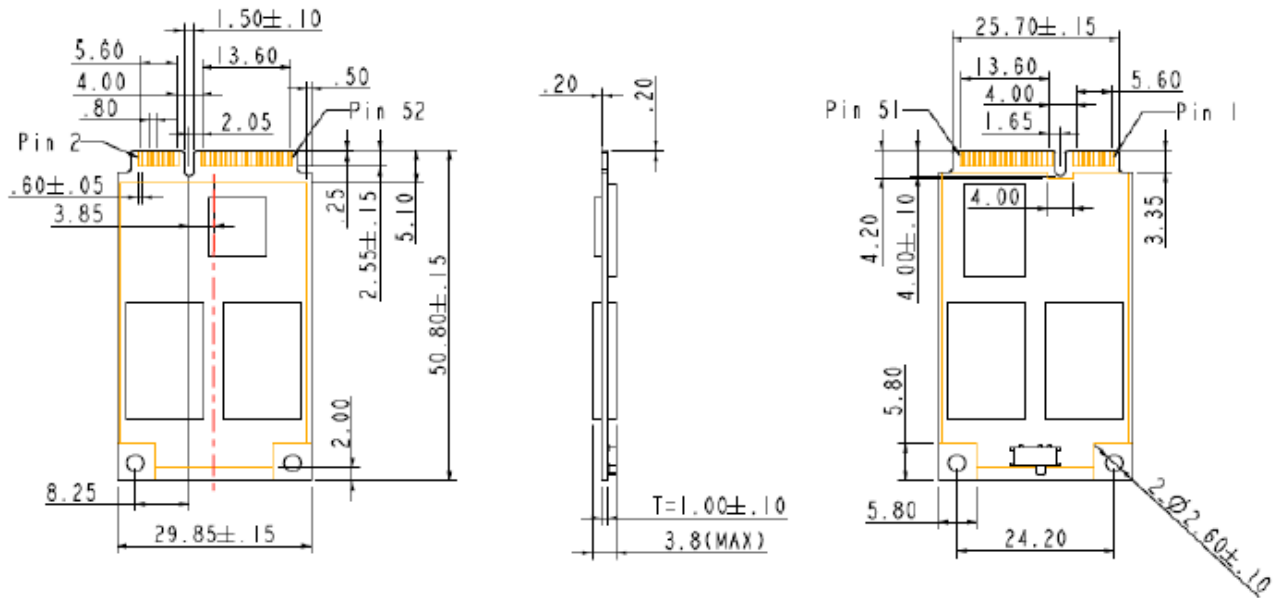
Feature

- SM23D defense series
- Supports TCG Opal 2.0 / AES 256-bit encryption
- Global Wear Leveling
- Power Failure Management
- SMART Read Refresh™
- S.M.A.R.T.
- ATA Secure Erase
- TRIM

Specifications

Model	SM23D-300
Interface	SATA 3.2 (6Gb/s)
Connector	52-pin
Form Factor	JEDEC MO-300
NAND Flash Type	MLC
Capacity	32GB~512GB
External DRAM	No
Sustained Read Performance (MB/sec)	Up to 560
Sustained Write Performance (MB/sec)	Up to 500
ECC Engine	Low-Density Parity-Check (LDPC) Code
IOPS (4K Random Write)	64K
Standard Operating Temperature (°C)	0 ~ + 70
Wide Temperature (°C)	-40 ~ + 85
Storage Temperature (°C)	-55 ~ + 100
Thermal sensor	Yes
Shock	MIL-STD-202G, Condition A MIL-STD-883K, Condition B
Vibration	MIL-STD-810G, Method 514.6, Procedure I, Category 24 MIL-STD-810G, Method 514.6, Procedure I, Category 7
Operating Voltage	3.3V ± 5%
Power Consumption	Active mode: 730 mA / Idle mode: 135 mA
Dimension (L x W x H)	50.80 x 29.85 x 3.8 (mm)
MTBF (hours)	>5,000,000

Mechanical Specification



Unit: mm

For more information,
contact your Apacer representative

Global Presence

Taiwan (Headquarters)
Apacer Technology Inc.
Tel: +886-2-2267-8000
Fax: +886-2-2267-2261

Europe
Apacer Technology B.V.
Tel: +31-40-267-0000
Fax: +31-40-290-0686

U.S.A.
Apacer Memory America, Inc.
Tel: +1-408-518-8699
Fax: 1-510-249-9551

China
Apacer Electronic(Shanghai)
Co., Ltd.
Tel: +86-21-6228-9939

Japan
Apacer Technology Corp.
Tel: +81-3-5419-2668
Fax: +81-3-5419-0018

India
Apacer Technologies Pvt. Ltd.
Tel: +91-80-41529061~3
Fax: +91-80-41700215