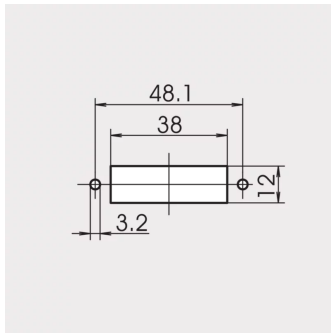


30118-339 FRONT PANEL WITH FDDI CUTOUT, 3 U, 14 HP, 2.5 MM, AL, RAL 7035



KEY FEATURES

Front panel with 4 FDDI cut-outs

PRODUCT ATTRIBUTES

Product Type: Front Panel

Type: Front Panel without Handle

Accessory Type: Front panel

Mounting: Screw-on Front

Material: Aluminum

Front Finish: Painted

Rear Finish: Conductive

Color Code: RAL 7035

Color: Black Grey

Rack Height: 3 U

Rack Width: 14 HP

Height: 128.4 mm

Width: 70.8 mm

Depth: 2.5 mm

Package Quantity: 1

ADDITIONAL PRODUCT DETAILS

Front Panel, FDDI Cutout.

CERTIFICATIONS



North America

All locations

+1.763.422.2661

Chat with us:

schroff.nvent.com

Europe

Straubenhardt, Germany

+49.7082.794.0

Betschdorf, France

+33.3.88.90.64.90

Warsaw, Poland

+48.22.209.98.35

Assago, Italy

+39.02.932.7141

Chat with us:

schroff.nvent.com

Asia

Shanghai, China

+86.21.2412.6943

Qingdao, China

+86.532.8771.6101

Singapore

+65.6768.5800

Shin-Yokohama, Japan

+81.45.476.0271

Chat with us:

schroff.nvent.com

Middle East & India

Dubai, United Arab Emirates

+971.4.378.1700

Bangalore, India

+91.80.6715.2001

Istanbul, Turkey

+90.216.250.7374

Chat with us:

schroff.nvent.com



Our powerful portfolio of brands:
nVent.com **CADDY ERICO HOFFMAN RAYCHEM SCHROFF TRACER**

© 2023 nVent. All nVent marks and logos are owned or licensed by nVent Services GmbH or its affiliates. All other trademarks are the property of their respective owners.

nVent reserves the right to change specifications without notice.