

# Apacer

The Most **Reliable**  
Storage For Industries

**SV25P-CFast**



## SV25P-CFast

### Overview

Apacer SV25P-CFast 2.0, utilizing 3D NAND for higher capacity up to 960GB and providing more power efficiency than 2D NAND, is the latest enhancement of conventional CFast form factor that delivers various technological advantages. This new flash memory card comes with SATA 6 Gb/s interface for exceptional performance with data transfer rates up to 560 MB/s in sequential access and 69,000 IOPS in 4KB random access, and consists of SATA-based 7-pin signal segment and 17-pin for power and control purposes. Designed without DRAM on the internal controlling unit, SV25P-CFast 2.0 ensures data integrity by preventing data loss during a sudden power outage.



SV25P-CFast 2.0 guarantees reliability of applications in harsh environments by implementing intelligent Flash Management algorithms and LDPC (Low Density Parity Check) ECC engine to extend SSD endurance and increase data reliability. Furthermore, SV25P-CFast 2.0 is equipped with a built-in thermal sensor to monitor the temperature of the SSD via S.M.A.R.T commands to prevent overheating. Operating under 6 Gb/s interface, SV25P-CFast 2.0 is provided with Apacer latest S.M.A.R.T. that is primarily oriented for the latest SATA interface SSD, for drive lifetime monitoring and analysis. For highly-intensive applications, End-to-End Data Protection ensures that data integrity can be assured at multiple points in the path to enable reliable delivery of data transfers.

\* The actual available memory on the device is less than what is listed on the package. This is due to small discrepancies in file formats and algorithms used by various operating systems. In addition, a portion of memory space is reserved for system files and data sectors for better performance.

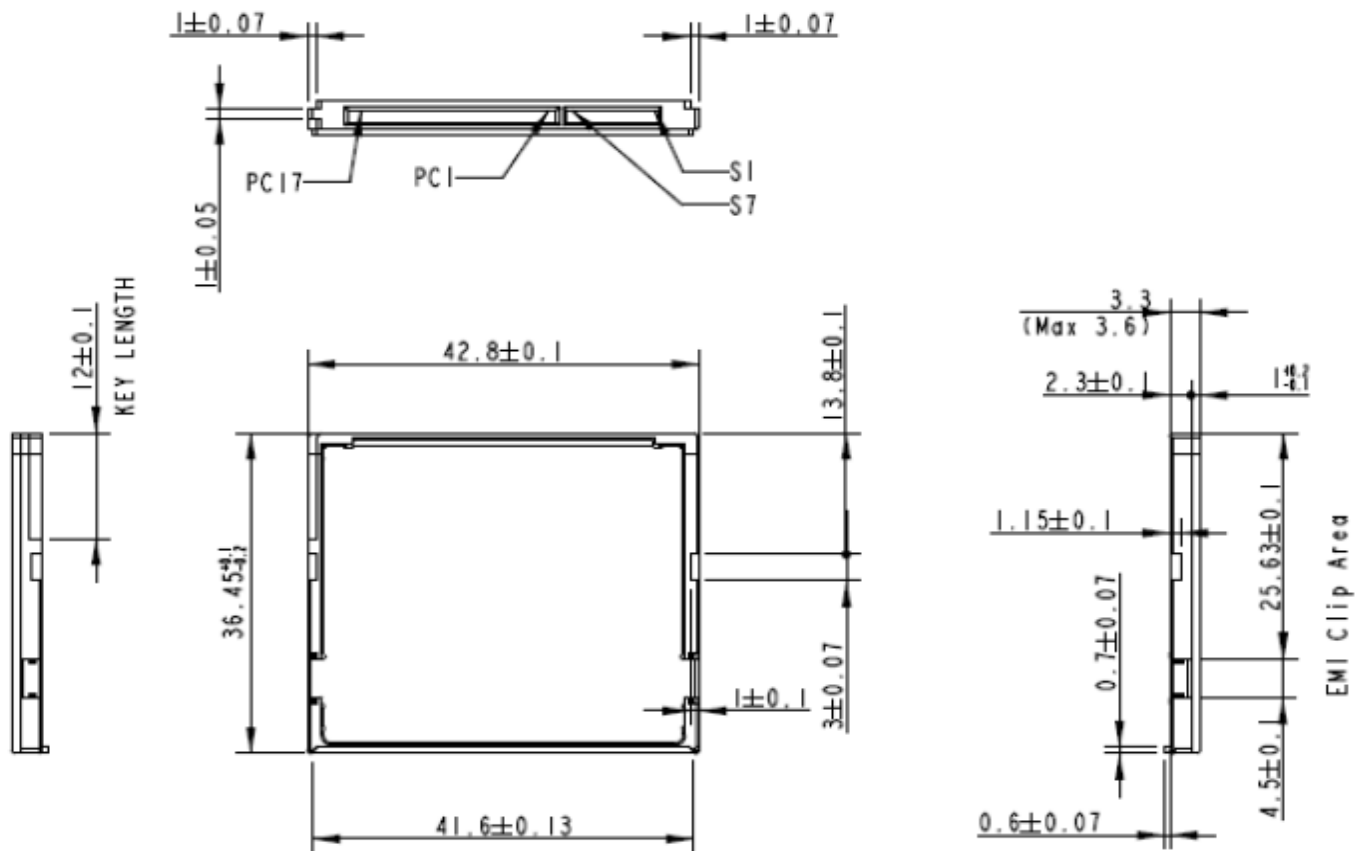
## Feature

- Support Low-Density Parity-Check (LDPC) Code
- Global Wear Leveling
- Flash bad-block management
- Flash Translation Layer: Page Mapping
- S.M.A.R.T
- Device Sleep
- ATA Secure Erase
- TRIM Support
- Hyper Cache Technology
- Over-Provisioning
- SMART Read Refresh™
- DataRAID™

## Specifications

<b>Model</b>	SV25P-CFast
<b>Interface</b>	SATA 3.2 (6Gb/s)
<b>Connector</b>	(7+17) pin female connector
<b>Form Factor</b>	CFast
<b>NAND Flash Type</b>	3D TLC
<b>Capacity</b>	120~960GB
<b>External DRAM</b>	No
<b>Sustained Read Performance (MB/sec)</b>	Up to 560
<b>Sustained Write Performance (MB/sec)</b>	Up to 495
<b>ECC Engine</b>	Low-Density Parity-Check (LDPC) Code
<b>IOPS (4K Random Write)</b>	69K
<b>Standard Operating Temperature ( °C)</b>	0 ~ + 70
<b>Extended Operating Temperature ( °C)</b>	-40 ~ + 85
<b>Storage Temperature ( °C)</b>	-55 ~ + 100
<b>Housing</b>	YES
<b>Thermal Sensor</b>	YES
<b>Shock</b>	Operation: 50G/11ms (compliant with MIL-STD-202G) Non-operation: 1500G/0.5ms (compliant with MIL-STD-883K)
<b>Vibration</b>	Operation: 7.69 Grms, 20~2000 Hz/random (compliant with MIL-STD-810G) Non-operation: 4.02 Grms, 15 ~ 2000 Hz/sine (compliant with MIL-STD-810G)
<b>Operating Voltage</b>	3.3V ± 5%
<b>Power Consumption</b>	Active mode: 385 mA / Idle mode: 75 mA
<b>Dimension (L x W x H)</b>	42.80 mm x 36.45 mm x 42.8 mm x 3.60mm
<b>MTBF (hours)</b>	>3,000,000

## Mechanical Specification



Unit:mm

**For more information,  
contact your Apacer representative**

### Global Presence

Taiwan (Headquarters)  
Apacer Technology Inc.  
Tel: +886-2-2267-8000  
Fax: +886-2-2267-2261

Europe  
Apacer Technology B.V.  
Tel: +31-40-267-0000  
Fax: +31-40-290-0686

U.S.A.  
Apacer Memory America, Inc.  
Tel: +1-408-518-8699  
Fax: 1-510-249-9551

Shanghai  
Apacer Electronic(Shanghai)  
Co., Ltd.  
Tel: +86-21-6228-9939

Japan  
Apacer Technology Corp.  
Tel: +81-3-5419-2668  
Fax: +81-3-5419-0018

India  
Apacer Technologies Pvt. Ltd.  
Tel: +91-80-41529061~3  
Fax: +91-80-41700215