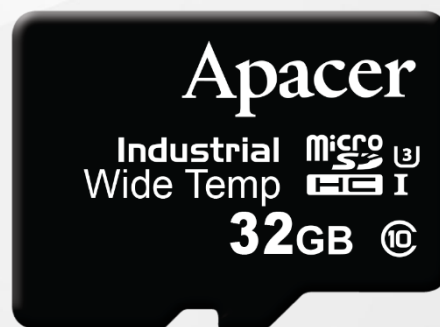


Apacer

The Most **Reliable**
Storage For Industries

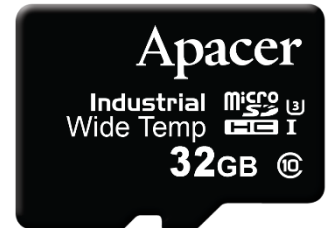
Industrial microSD H2-M



Industrial microSD H2-M

Overview

Apacer microSD H2-M is compatible with the microSD card version 5.1. The command list supports [Physical Layer Specification Ver5] definitions. Card Capacity of Non-secure Area, Secure Area Supports [Security Specification Ver5] Specifications. Random performance of microSD H2-M is much more enhanced than before. The maximum transfer speed can be achieved along with UHS-I compliant devices. Besides, Video Speed Class is compliant with V10 and V30, which are mainly useful for camcorders, video recorders and other devices with video recording capabilities. With V10 and V30 speed mode, microSD card is recommended for high resolution and high quality 4K video recording. Apacer microSD H2-M card is also compliant with Application Performance Class A1, optimized for 4K small file random read/write IOPS, delivering minimum read/write performance at 1,900/900 IOPS at least.



The microSD 5.1 card comes with 8-pin interface, designed to operate at maximum operating frequency of 50MHz or 100MHz. It can alternate communication protocol between the SD mode and SPI mode and is backward compatible with SD 2.0 devices. It performs data error detection and correction with very low power consumption.

Apacer Industrial microSD 5.1 card with high performance, reliability and compatibility is well adapted for hand-held applications, medical, surveillance systems and automotive markets.

*The actual available memory on the device is less than what is listed on the package. This is due to small discrepancies in file formats and algorithms used by various operating systems. In addition, a portion of memory space is reserved for system files and data sectors for better performance.

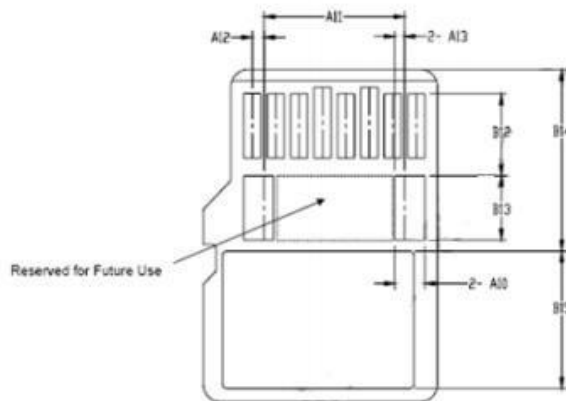
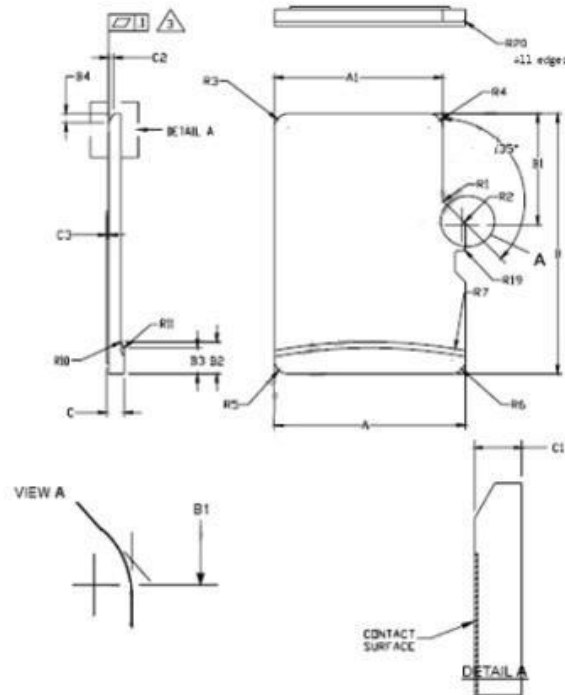
Feature

- Compliant with SD 5.1 Specification
- S.M.A.R.T Supported
- Wear-Leveling
- Block Management
- Support Class 10 with UHS-I L
- Low Power Consumption
- Wide Temperature Support (Optional)

Specifications

Model	Industrial microSD H2-M
Interface	SD 5.0
Form Factor	Micro SDHC
NAND Flash Type	MLC
Capacity	4GB~32GB
External DRAM	No
Sustained Read Performance (MB/sec)	Up to 90
Sustained Write Performance (MB/sec)	Up to 42
ECC Engine	Built-in 42-bit per 1K bytes BCH ECC
IOPS (4K Random Write)	900
Standard Operating Temperature (°C)	-25 ~ + 85
Storage Temperature (°C)	-40 ~ + 85
Shock	(Operating)1,500G, 0.5ms
Vibration	20Hz~80Hz/1.52mm (frequency/displacement) 80Hz~2,000Hz/20G (frequency/accelerate)
Operating Voltage	3.3 V ± 5%
Power Consumption	Active mode: 140 mA & Idle mode: 240 uA
Dimension (L x W x H)	15mm x 11mm x 1mm
MTBF (hours)	>3,000,000

Mechanical Specification



Unit: mm

**For more information,
contact your Apacer representative**

Global Presence

Taiwan (Headquarters)
Apacer Technology Inc.
Tel: +886-2-2267-8000
Fax: +886-2-2267-2261

Europe
Apacer Technology B.V.
Tel: +31-40-267-0000
Fax: +31-40-290-0686

U.S.A.
Apacer Memory America, Inc.
Tel: +1-408-518-8699
Fax: 1-510-249-9551

China
Apacer Electronic(Shanghai)
Co., Ltd.
Tel: +86-21-6228-9939

Japan
Apacer Technology Corp.
Tel: +81-3-5419-2668
Fax: +81-3-5419-0018

India
Apacer Technologies Pvt. Ltd.
Tel: +91-80-41529061~3
Fax: +91-80-41700215