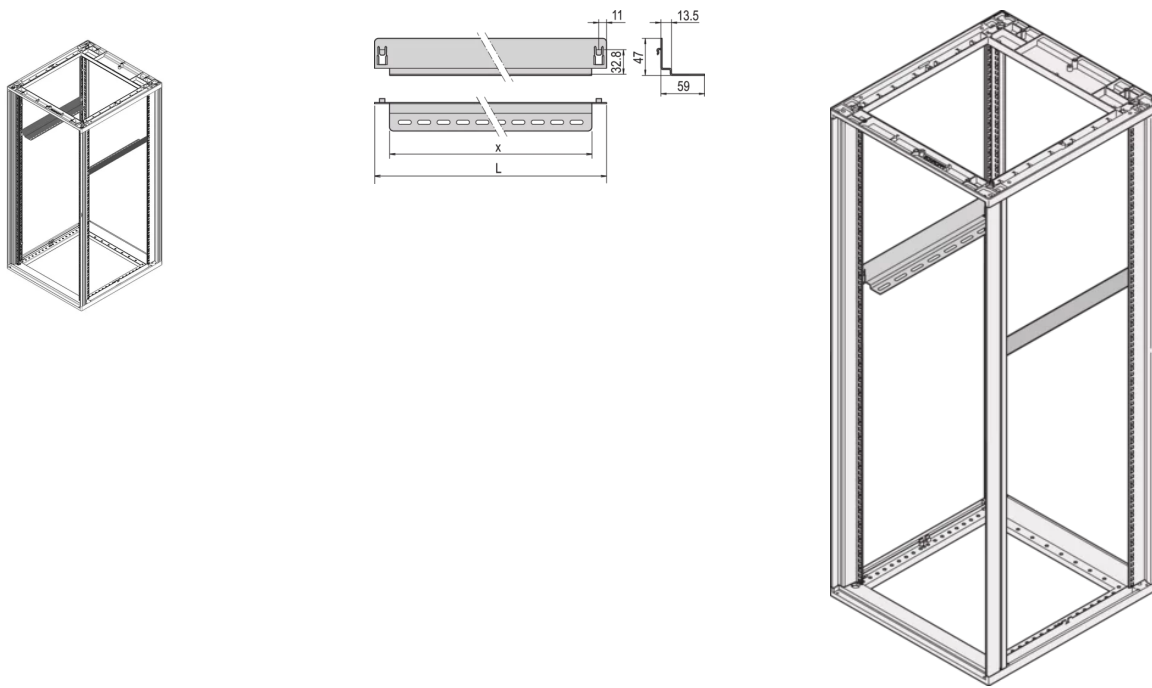


25230-148 NOVASTAR SLIDE RAIL, 50 KG, 740D, 1 PAIR



KEY FEATURES

For mounting on the vertical cabinet uprights or 19" panel/slide mounts

Static load-carrying capacity 50 kg per pair

St, 2 mm, finish AlZn

Adjustable in 1-U increments

Support for heavy 19" chassis

PRODUCT ATTRIBUTES

Product Type: Slide Rail

Product Family: Novastar

Length: 726.4 mm

Depth: 900 mm

Static Load: 50 kg

ADDITIONAL PRODUCT DETAILS

Novastar Slide Rail with 50 kg load capacity for mounting on the cabinet uprights or 19" panel/slide mounts. The slide rail supports shelf of heavy 19" Chassis.

CERTIFICATIONS



North America

All locations
+1.763.422.2661
Chat with us:
schroff.nvent.com

Europe

Straubenhardt, Germany
+49.7082.794.0
Betschdorf, France
+33.3.88.90.64.90
Warsaw, Poland
+48.22.209.98.35
Assago, Italy
+39.02.932.7141
Chat with us:
schroff.nvent.com

Asia

Shanghai, China
+86.21.2412.6943
Qingdao, China
+86.532.8771.6101
Singapore
+65.6768.5800
Shin-Yokohama, Japan
+81.45.476.0271
Chat with us:
schroff.nvent.com

Middle East & India

Dubai, United Arab Emirates
+971.4.378.1700
Bangalore, India
+91.80.6715.2001
Istanbul, Turkey
+90.216.250.7374
Chat with us:
schroff.nvent.com



Our powerful portfolio of brands:
nVent.com **CADDY ERICO HOFFMAN RAYCHEM SCHROFF TRACER**

© 2023 nVent. All nVent marks and logos are owned or licensed by nVent Services GmbH or its affiliates. All other trademarks are the property of their respective owners.

nVent reserves the right to change specifications without notice.