

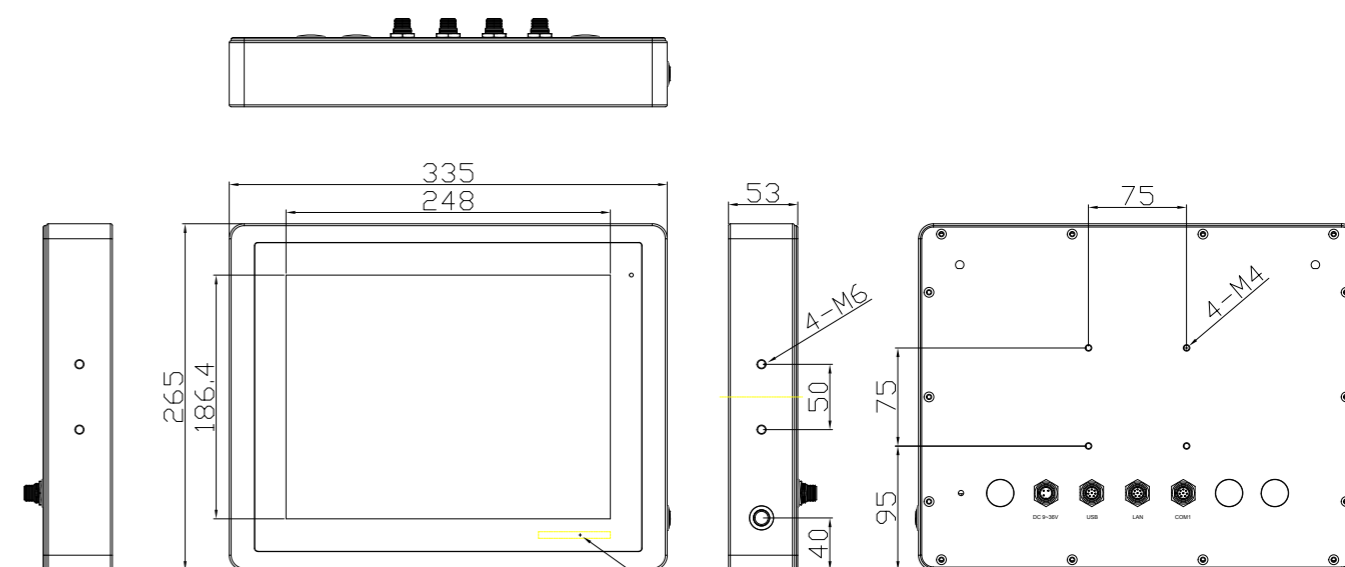
Features

- 12.1" New Generation Stainless Steel Panel PC
- Freescale i.MX6 DualLite 1.0GHz Onboard Processor
- True Flat Front Bezel Design and Grade 304 Stainless Steel Enclosure (Grade 316 for Option)
- IP66/IP69K Rated with M12 Connectors
- Support Resistive Touch, Projected Capacitive Touch, and Glass
- Touch on/off Button on the Side Edge for Hygienic Cleaning
- Support Ergonomic Versatile Mounting: Yoke Mounting / Space-saving VESA 75 x 75 mm Mounting

Specifications

| System | | |
|--------------------------------|--|--------------------------------------|
| CPU | Freescale i.MX6 Dual Lite, ARM Cortex A9(2x Cores, 1.0GHz) | |
| System Chipset | SoC | |
| Memory | Onboard 1GB DDR3 SDRAM | |
| IO Port | | |
| USB | 1 x M12 8-pin for 2 x USB 2.0 with waterproof cover and chain | |
| Serial / Parallel | 1 x M12 8-pin COM1, RS-232/422/485, default RS-232, with waterproof cover and chain | |
| LAN | 1 x M12 8-pin for LAN with waterproof cover and chain (PoE for option) | |
| Others | 1 x Touch on/off button on the side | |
| Power Connector | 1 x M12 3-pin for DC power with waterproof cover and chain 1 x Power switch on the rear | |
| Option | 2 x M12 blank for option 1 x CAN 1 x PoE | |
| Storage Space | | |
| eMMC | Onboard 4GB eMMC NAND Flash | |
| Expansion | | |
| Expansion slot | 1 x Full-size mini-PCIe socket (PCIe + USB) for WIFI/BT/LTE(optional) | |
| RFID module | RFID module design on the front side(optional) | |
| Display | | |
| | Standard | High Brightness Optional |
| Display Type | 12.1" TFT-LCD | 12.1" TFT-LCD |
| Max. Resolution | 800 x 600 (SVGA) 1024 x 768 (XGA) | 800 x 600 (SVGA) 1024 x 768 (XGA) |
| Max. Color | 262K / 16.2M (XGA) | 262K / 16.2M (XGA) |
| Luminance (cd/m ²) | 450 / 500 (XGA) | 1000 |
| View Angle | 178/178 (SVGA) 160/140 (XGA) | 178/178 (SVGA) 160/140 (XGA) |
| Contrast | 1500:1 (SVGA) 700:1 (XGA) | 700:1 (SVGA) 700:1 (XGA) |
| Backlight Lifetime | 50,000hrs / 30,000hrs(XGA) | 50,000 hrs |
| Touch Screen | | |
| Type | Resistive Touch (For R model) Projected Capacitive Touch (For P model) Glass (For G model) | |
| Interface | SPI(Resistive Touch) / USB(Projected Capacitive Touch) | |
| Light Transmission(%) | Resistive Touch : 80% / Projected Capacitive : 90% | |
| Power | | |
| Power Input | DC 9~36V | |
| Power Consumption | ViTAM-612P:12W | |

Dimensions



UNIT: mm
Tolerance: ±0.5

| Mechanical | |
|--|---|
| Construction | 304 Stainless steel chassis(default), 316 Stainless steel chassis(optional) |
| Mounting | VESA mount 75 x 75, Yoke mount (optional) |
| IP Rating | Total IP66/IP69K |
| Dimensions | 335 x 265 x 53 mm |
| Net Weight | 4.7 kg |
| Environmental | |
| Operating Temperature | 0~50°C / -20~60°C (option) |
| Storage Temperature | -30~70°C |
| Humidity | 10 to 95% @ 40°C, non- condensing |
| Certificate | CE/FCC Class A |
| Operating System Support | |
| Android 6.0.1 / Linux kernel 4.9.88:Yocto + Chromium Browser V67 | |
| Ordering Information | |
| ViTAM-612P | 12.1" SVGA IP66/IP69K stainless steel panel pc, Freescale i.MX6 Dual Lite ARM Cortex A9, 1GB DDR3 RAM, 4GB eMMC, projected capacitive touch, 9~36V DC power input with Adapter |
| ViTAM-612R | 12.1" SVGA IP66/IP69K stainless steel panel pc, Freescale i.MX6 Dual Lite ARM Cortex A9, 1GB DDR3 RAM, 4GB eMMC, 5 wire resistive touch window, 9~36V DC power input with Adapter |
| ViTAM-612G | 12.1" SVGA IP66/IP69K stainless steel panel pc, Freescale i.MX6 Dual Lite ARM Cortex A9, 1GB DDR3 RAM, 4GB eMMC, protection glass, 9~36V DC power input with Adapter |
| ViTAM-612PH | 12.1" SVGA IP66/IP69K stainless steel panel pc, Freescale i.MX6 Dual Lite ARM Cortex A9, 1GB DDR3 RAM, 4GB eMMC, projected capacitive touch, 9~36V DC power input with Adapter, 1,000 nits LCD |
| ViTAM-612RH | 12.1" SVGA IP66/IP69K stainless steel panel pc, Freescale i.MX6 Dual Lite ARM Cortex A9, 1GB DDR3 RAM, 4GB eMMC, 5 wire resistive touch window, 9~36V DC power input with Adapter, 1,000 nits LCD |
| ViTAM-612GH | 12.1" SVGA IP66/IP69K stainless steel panel pc, Freescale i.MX6 Dual Lite ARM Cortex A9, 1GB DDR3 RAM, 4GB eMMC, protection glass, 9~36V DC power input with Adapter, 1,000 nits LCD |